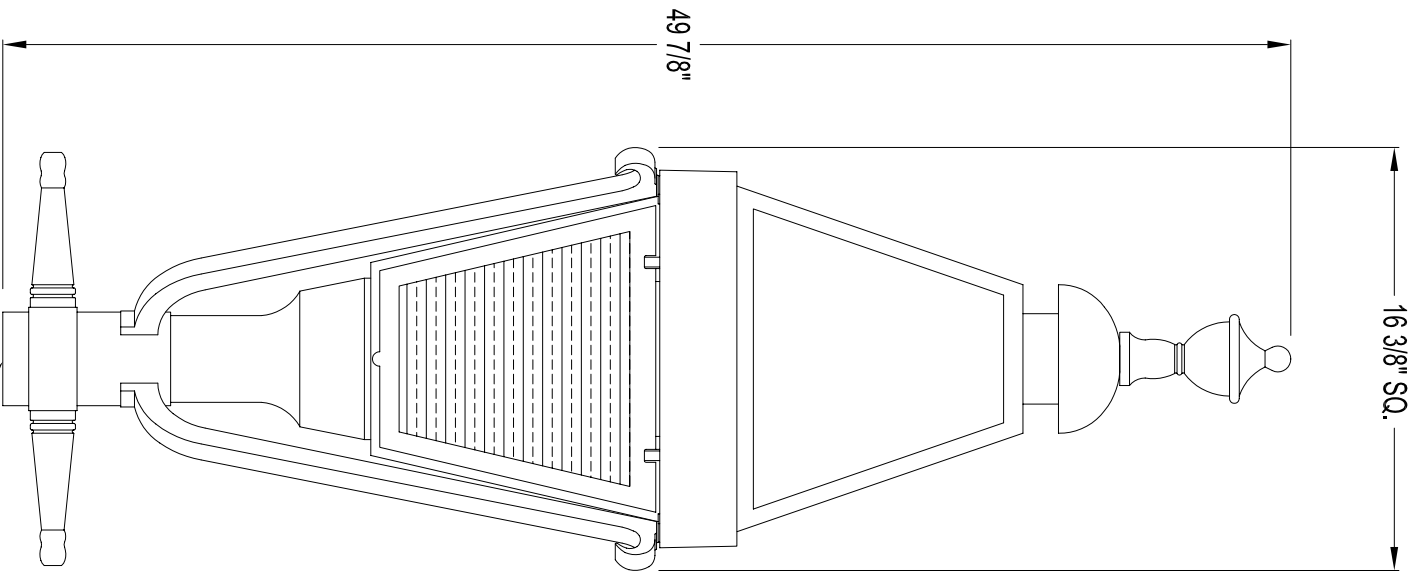


This drawing is the property of Spring City Elect. Mfg. Co. and is issued to the recipient with the understanding that it shall not be copied, duplicated, passed on to unauthorized parties, nor used for any purpose other than that for which it is specifically furnished except with Spring City's written permission.



LUMINAIRE SPECIFICATIONS

- STYLE: JEFFERSON WITH LADDER REST
 HEIGHT: 49 7/8"
 WIDTH: 16 3/8" SQUARE
 MATERIAL: CAST ALUMINUM ALLOY ANSI 386 PER A.S.T.M. B26-95
 POLYCARBONATE (PLO) CLEAR (WHP) WHITE (RP) REFRACTIVE OTHER _____
 PANELS: (3) TYPE III - ASYMMETRIC (6) TYPE V - SYMMETRIC (FOR REFRACTIVE PANELS ONLY)
 DISTRIBUTION: PRIME PAINT THEN FINISH SHERWIN WILLIAMS ACROLOX - PLEASE ADVISE COLOR
 FINISH: _____
 LAMPING: WATT (150 MAX) HPS MH INC OTHER _____
 VOLTAGE: 120 208 240 277 480 QUAD
 SOCKET: MEDIUM BASE MOGUL BASE OTHER _____
 PHOTO CONTROL: OPTIONAL - BUTTON TYPE



Spring City Electrical Mfg. Co.
 SINCE 1843
 HALL AND MAIN STREETS - P.O. BOX 19 - SPRING CITY, PA. 19475
 PHONE (610) 948-4000 FAX (610) 948-5577
 E-mail ADDRESS: sales@springcity.com

DESCRIPTION	ALMJFF-P__-FJF	PDF
-------------	----------------	-----

TO ACCEPT A 2 7/8" DIA. X 3" HIGH TENON