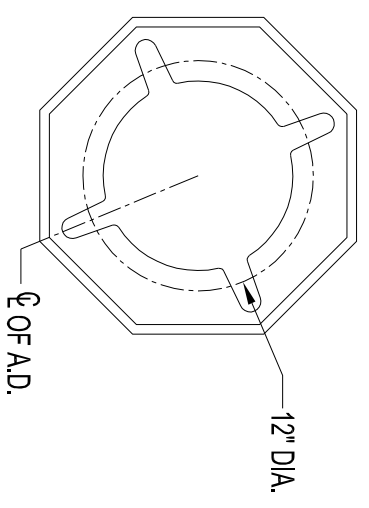
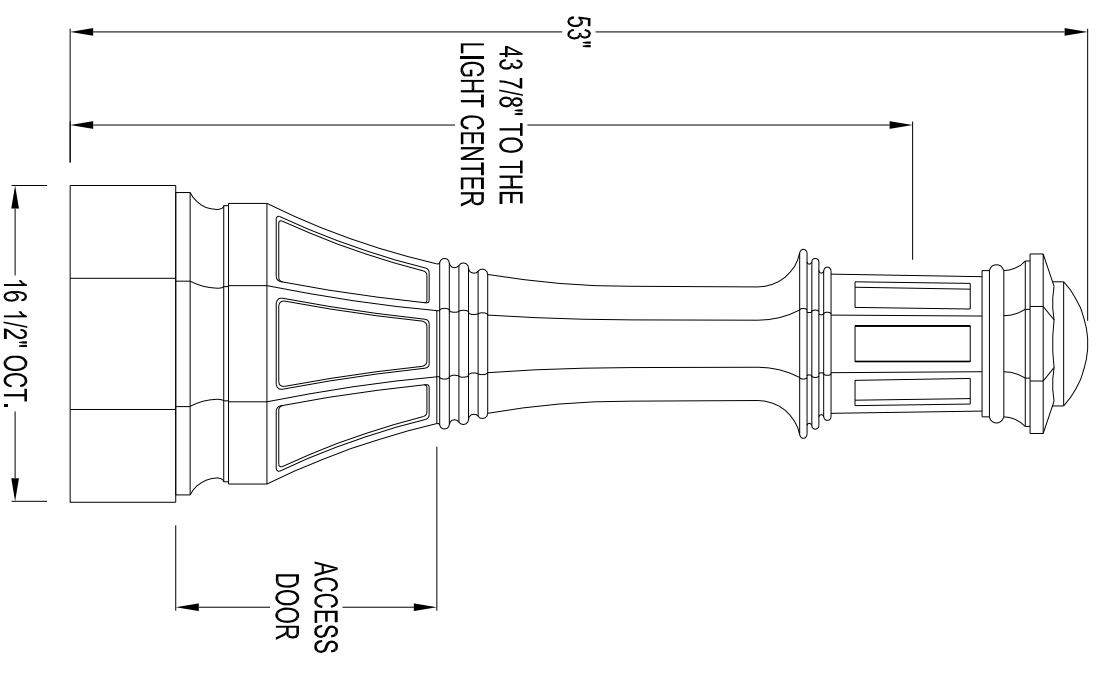


This drawing is the property of Spring City Elect. Mfg. Co. and is issued to the recipient with the understanding that it shall not be copied, duplicated, passed on to unauthorized parties, nor used for any purpose other than that for which it is specifically furnished except with Spring City's written permission.

LIGHTED BOLLARD SPECIFICATIONS

- STYLE: EDGEWATER
 HEIGHT: 53"
 LIGHT CENTER: 43 7/8"
 BASE: 16 1/2" OCTAGONAL (FLAT TO FLAT)
 MATERIAL: (A) CAST ALUMINUM ALLOY ANSI 356 PER A.S. T.M. B26-95
 (I) CAST IRON PER A.S. T.M. A48-83 CLASS 30
 (D) CAST DUCTILE IRON PER A536-84 GRADE 65-45-12
 CYLINDER: CLEAR ACRYLIC
 FINISH: PRIME PAINT THEN FINISH SHERWIN WILLIAMS
 ACROLOX - PLEASE ADVISE COLOR
 LAMPING: WATT HPS MH MV INC OTHER _____
 VOLTAGE: 120 208 240 277 480 QUAD
 SOCKET: MEDIUM BASE OTHER _____
 ACCESS DOOR: LOCATED IN BASE SECURED WITH TAMPER PROOF HEX SOCKET SECURITY MACHINE SCREWS
 GROUND STUD PROVISIONS: DRILL AND TAP INSIDE WALL OF BASE OPPOSITE ACCESS DOOR TO ACCOMMODATE A 1/4"-20 GROUND STUD (GROUND STUD SUPPLIED BY OTHERS)
 ANCHOR BOLTS: (4) 3/4" DIA. X 24" LONG + 3" HOOK (FULLY GALVANIZED WITH 1 GALVANIZED NUT AND 1 GALVANIZED WASHER PER BOLT)
 BOLT PROJECTION: 3" REQUIRED



SINCE 1944

Spring City Electrical Mfg. Co.
 HALL AND MAIN STREETS - P.O. BOX 19 - SPRING CITY, PA. 19475
 PHONE (610) 948-4000 FAX (610) 948-5577
 E-mail ADDRESS: sales@springcity.com

DESCRIPTION	_BDEDG-16-4-42-LT-YCLO	PDF
-------------	------------------------	-----