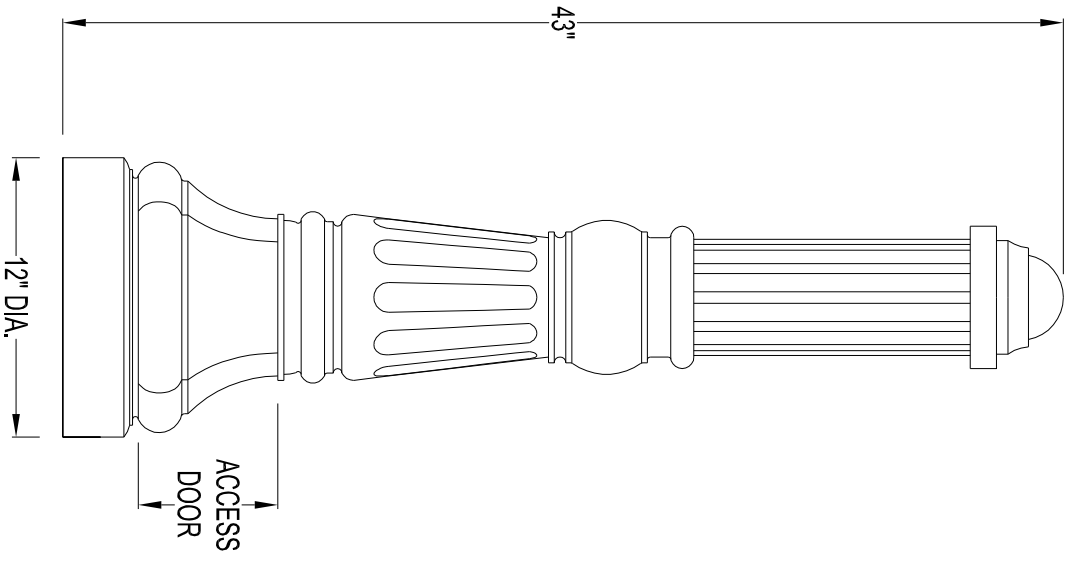


This drawing is the property of Spring City Elect. Mfg. Co. and is issued to the recipient with the understanding that it shall not be copied, duplicated, passed on to unauthorized parties, nor used for any purpose other than that for which it is specifically furnished except with Spring City's written permission.



BOLLARD SPECIFICATIONS

- STYLE: MINI MARINER
- HEIGHT: 43"
- BASE: 12" DIAMETER
- MATERIAL: CAST ALUMINUM ALLOY ANSI 356 PER A.S.T.M. B26-95 AND ALUMINUM EXTRUSION PRIME PAINT THEN FINISH SHERWIN WILLIAMS
- FINISH: ACROLON - PLEASE ADVISE COLOR
- ACCESS DOOR: LOCATED IN BASE SECURED WITH TAMPER PROOF HEX SOCKET SECURITY MACHINE SCREWS
- ANCHOR BOLTS: (4) 3/4" DIA. X 24" LONG + 3" HOOK (FULLY GALVANIZED WITH 1 GALVANIZED NUT AND 1 GALVANIZED WASHER PER BOLT)
- BOLT PROJECTION: 3" REQUIRED

SINCE 1944
Spring City Electrical Mfg. Co.
HALL AND MAIN STREETS - P.O. BOX 19 - SPRING CITY, PA. 19475
PHONE (610) 948-4000 FAX (610) 948-5577
E-mail ADDRESS: sales@springcity.com

DESCRIPTION	ABDMNM-12-3.58	PDF
-------------	----------------	-----