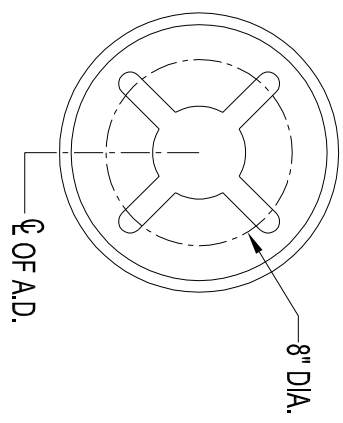
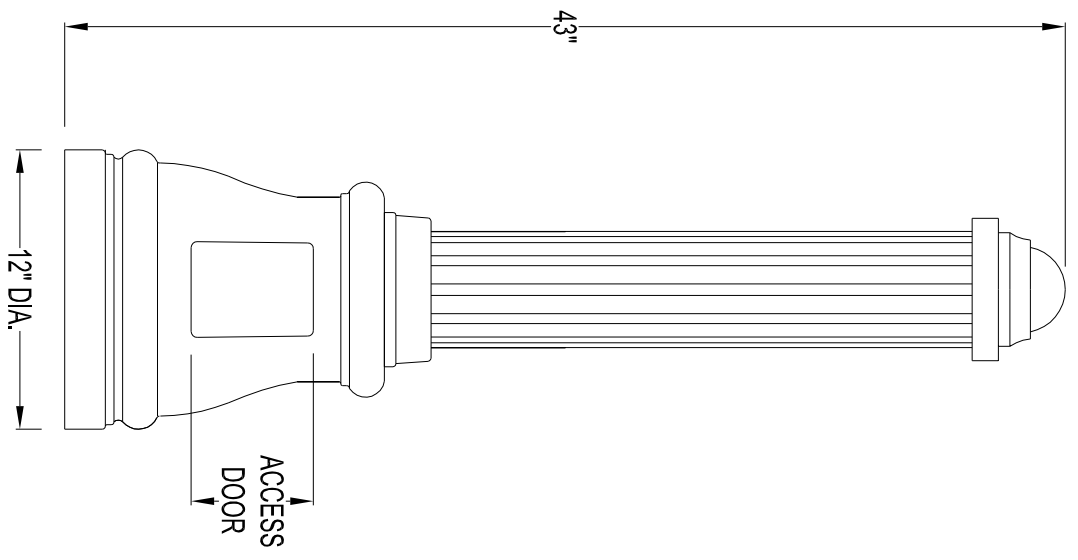


This drawing is the property of Spring City Elect. Mfg. Co. and is issued to the recipient with the understanding that it shall not be copied, duplicated, passed on to unauthorized parties, nor used for any purpose other than that for which it is specifically furnished except with Spring City's written permission.

BOLLARD SPECIFICATIONS

- STYLE: MOUNT VIEW
- HEIGHT: 43"
- BASE: 12" DIAMETER
- MATERIAL: CAST ALUMINUM ALLOY ANSI 356 PER A.S.T.M. B26-95 AND ALUMINUM EXTRUSION
- FINISH: PRIME PAINT THEN FINISH SHERWIN WILLIAMS
- ACCESS DOOR: ACROLON - PLEASE ADVISE COLOR
- ANCHOR BOLTS: LOCATED IN BASE SECURED WITH TAMPER PROOF HEX SOCKET SECURITY MACHINE SCREWS
- BOLT PROJECTION: (4) 3/4" DIA. X 24" LONG + 3" HOOK (FULLY GALVANIZED WITH 1 GALVANIZED NUT AND 1 GALVANIZED WASHER PER BOLT) 3" REQUIRED



SINCE 1944
Spring City Electrical Mfg. Co.
HALL AND MAIN STREETS - P.O. BOX 19 - SPRING CITY, PA. 19475
PHONE (610) 948-4000 FAX (610) 948-5577
E-mail ADDRESS: sales@springcity.com

DESCRIPTION	ABDMNV-12-3-58	PDF
-------------	----------------	-----