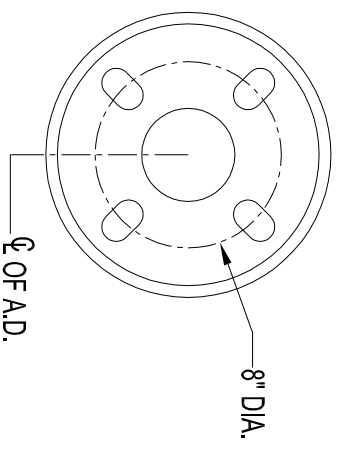
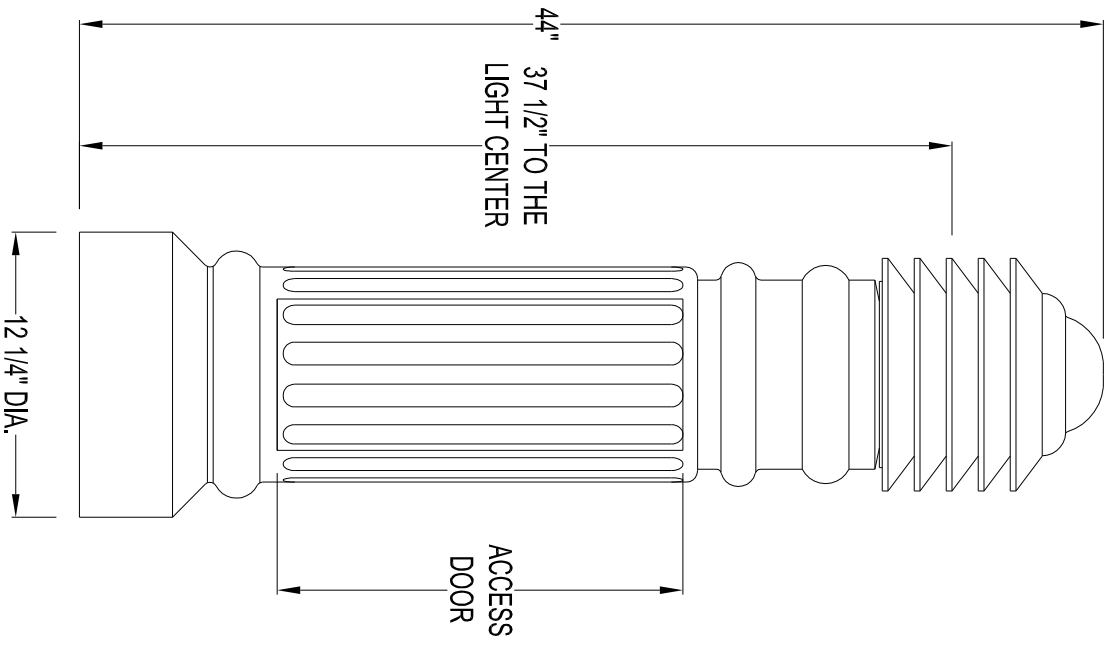


*This drawing is the property of Spring City Elect. Mfg. Co. and is issued to the recipient with the understanding that it shall not be copied, duplicated, passed on to unauthorized parties, nor used for any purpose other than that for which it is specifically furnished except with Spring City's written permission.*

**LIGHTED BOLLARD SPECIFICATIONS**

STYLE: PACIFIC  
 HEIGHT: 44"  
 LIGHT CENTER: 37 1/2"  
 BASE: 12 1/4" DIAMETER  
 MATERIAL: CAST ALUMINUM ALLOY ANSI 356 PER A.S.T.M. B26-95  
 CYLINDER: CLEAR ACRYLIC  
 FINISH: PRIME PAINT THEN FINISH SHERWIN WILLIAMS  
 ACROLOL - PLEASE ADVISE COLOR  
 LAMPING: WATT  HPS  MH  MV  INC  OTHER \_\_\_\_\_  
 VOLTAGE:  120  208  240  277  480  QUAD  
 SOCKET:  MEDIUM BASE  OTHER \_\_\_\_\_  
 ACCESS DOOR: LOCATED IN BASE SECURED WITH TAMPER PROOF HEX SOCKET SECURITY MACHINE SCREWS  
 GROUND STUD PROVISIONS: DRILL AND TAP OPPOSITE ACCESS DOOR TO ACCOMMODATE A 1/4"-20 GROUND STUD (GROUND STUD SUPPLIED BY OTHERS)  
 ANCHOR BOLTS: (4) 3/4" DIA. X 24" LONG + 3" HOOK (FULLY GALVANIZED WITH 1 GALVANIZED NUT AND 1 GALVANIZED WASHER PER BOLT)  
 BOLT PROJECTION: 3" REQUIRED



SINCE 1944  
  
**Spring City Electrical Mfg. Co.**  
 HALL AND MAIN STREETS - P.O. BOX 19 - SPRING CITY, PA. 19475  
 PHONE (610) 948-4000 FAX (610) 948-5577  
 E-mail ADDRESS: sales@springcity.com

DESCRIPTION	ABDPAC-12-367-LT-YCLO	PDF
-------------	-----------------------	-----