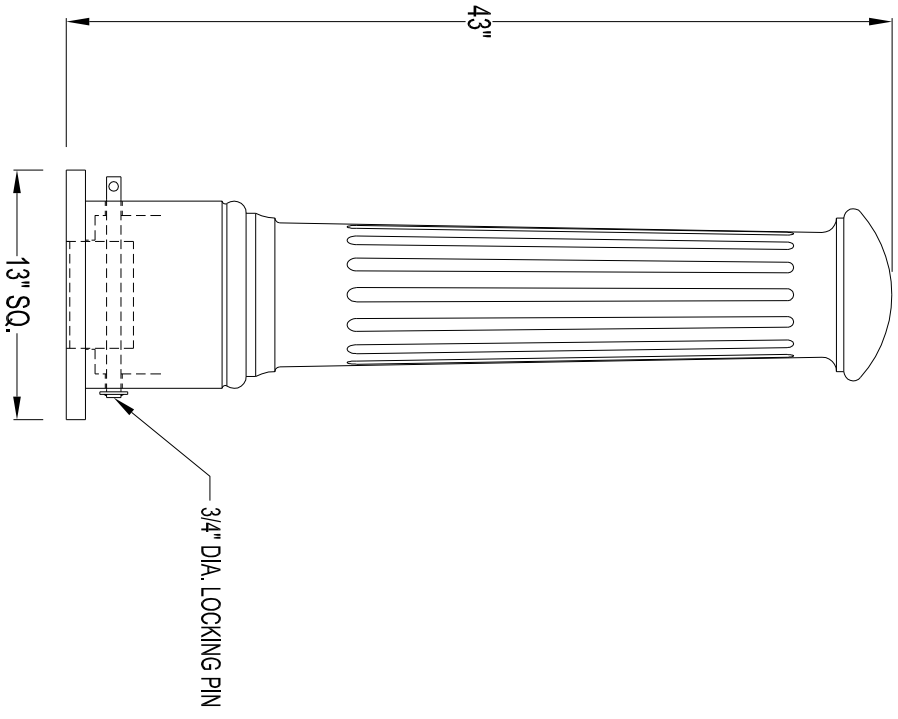


This drawing is the property of Spring City Elect. Mfg. Co. and is issued to the recipient with the understanding that it shall not be copied, duplicated, passed on to unauthorized parties, nor used for any purpose other than that for which it is specifically furnished except with Spring City's written permission.



REMOVABLE BOLLARD SPECIFICATIONS

- STYLE: PRINCETON
 HEIGHT: 43"
 BASE: 13" SQUARE
 MATERIAL:
 (A) CAST ALUMINUM ALLOY ANSI 356 PER A.S.T.M. B26-95
 (I) CAST IRON PER A.S.T.M. A48-83 CLASS 30
 (D) CAST DUCTILE IRON PER A536-84 GRADE 65-45-12
 FINISH:
 PRIME PAINT THEN FINISH SHERWIN WILLIAMS
 ACROLON - PLEASE ADVISE COLOR
 NOT REQUIRED
 ACCESS DOOR:
 (4) 3/4" DIA. X 24" LONG + 3" HOOK (FULLY GALVANIZED WITH 1 GALVANIZED NUT AND 1 GALVANIZED WASHER PER BOLT)
 ANCHOR BOLTS:
 3" REQUIRED
 BOLT PROJECTION:
 3" REQUIRED

HALL AND MAIN STREETS - P.O. BOX 19 - SPRING CITY, PA. 19475
 PHONE (610) 948-4000 FAX (610) 948-5577
 E-mail ADDRESS: sales@springcity.com

DESCRIPTION	_BDPRC-13-3-58-RM	PDF
-------------	-------------------	-----