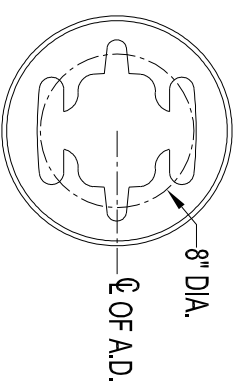
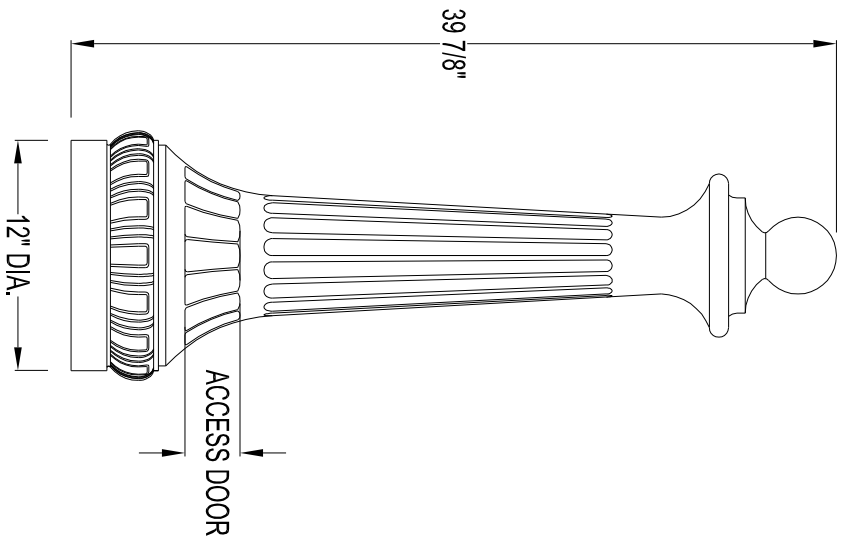


This drawing is the property of Spring City Elect. Mfg. Co. and is issued to the recipient with the understanding that it shall not be copied, duplicated, passed on to unauthorized parties, nor used for any purpose other than that for which it is specifically furnished except with Spring City's written permission.

BOLLARD SPECIFICATIONS

- STYLE: WASHINGTON
HEIGHT: 39 7/8"
BASE: 12" DIAMETER
MATERIAL: (A) CAST ALUMINUM ALLOY ANSI 356 PER A.S.T.M. B26-95
 (I) CAST IRON PER A.S.T.M. A48-83 CLASS 30
 (D) CAST DUCTILE IRON PER A536-84 GRADE 65-45-12
FINISH: PRIME PAINT THEN FINISH SHERWIN WILLIAMS
ACCESS DOOR: ACROLON - PLEASE ADVISE COLOR
ANCHOR BOLTS: LOCATED IN BASE SECURED WITH SPANNER HEAD MACHINE SCREWS
BOLT PROJECTION: (3) 3/4" DIA. X 24" LONG + 3" HOOK (FULLY GALVANIZED WITH 1 GALVANIZED NUT AND 1 GALVANIZED WASHER PER BOLT)
3" REQUIRED



SINCE 1964
Spring City Electrical Mfg. Co.
HALL AND MAIN STREETS - P.O. BOX 19 - SPRING CITY, PA. 19475
PHONE (610) 948-4000 FAX (610) 948-5577
E-mail ADDRESS: sales@springcity.com

DESCRIPTION	_BDWSH-12-3-32	PDF
-------------	----------------	-----