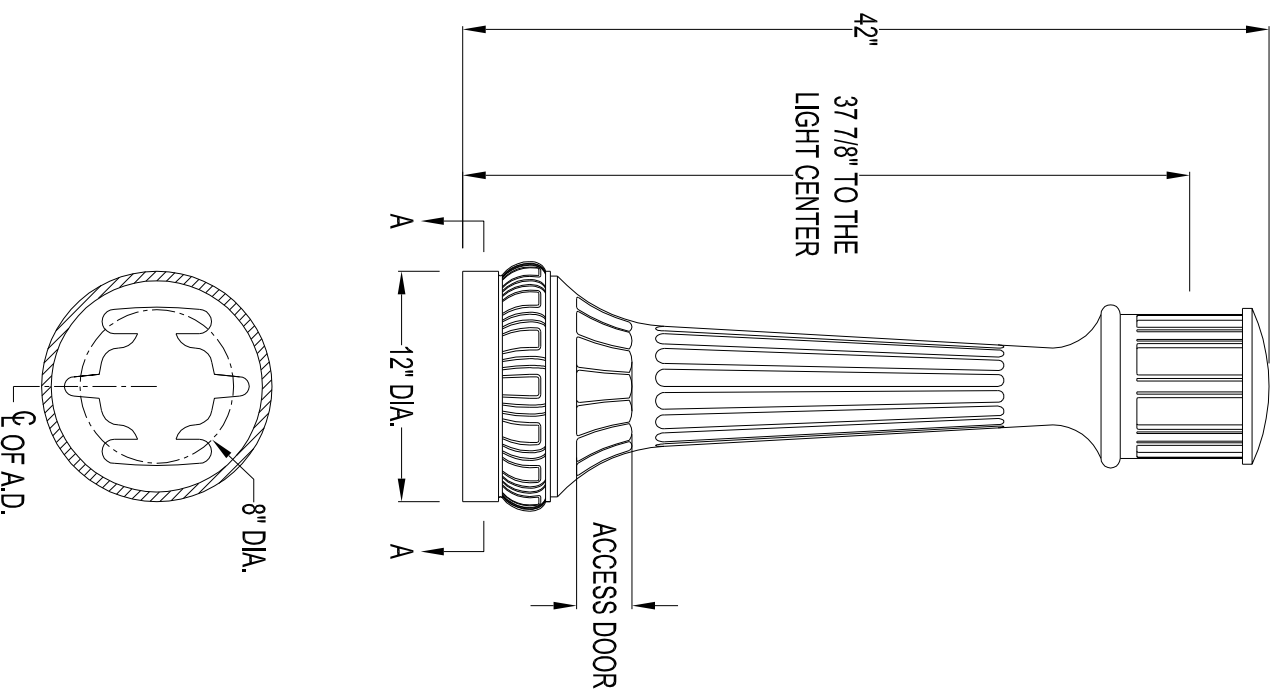


*This drawing is the property of Spring City Elect. Mfg. Co. and is issued to the recipient with the understanding that it shall not be copied, duplicated, passed on to unauthorized parties, nor used for any purpose other than that for which it is specifically furnished except with Spring City's written permission.*

**LIGHTED BOLLARD SPECIFICATIONS**

- STYLE:** WASHINGTON
- HEIGHT:** 42"
- LIGHT CENTER:** 37 7/8"
- BASE:** 12" DIAMETER
- MATERIAL:**  (A) CAST ALUMINUM ALLOY ANSI 356 PER A.S. T.M. B26-95  
 (I) CAST IRON PER A.S. T.M. A48-83 CLASS 30  
 (D) CAST DUCTILE IRON PER A536-84 GRADE 65-45-12
- CYLINDER:** CLEAR ACRYLIC
- FINISH:** PRIME PAINT THEN FINISH SHERWIN WILLIAMS ACRYLON - PLEASE ADVISE COLOR
- LAMPING:** WATT  HPS  MH  MV  INC  OTHER \_\_\_\_\_
- VOLTAGE:**  120  208  240  277  480  QUAD
- SOCKET:**  MEDIUM BASE  OTHER \_\_\_\_\_
- ACCESS DOOR:** LOCATED IN BASE SECURED WITH SPANNER HEAD MACHINE SCREWS
- GROUND STUD PROVISIONS:** DRILL AND TAP INSIDE WALL OF BASE OPPOSITE ACCESS DOOR TO ACCOMMODATE A 1/4"-20 GROUND STUD (GROUND STUD SUPPLIED BY OTHERS)
- ANCHOR BOLTS:** (3) 3/4" DIA. X 24" LONG + 3" HOOK (FULLY GALVANIZED WITH 1 GALVANIZED NUT AND 1 GALVANIZED WASHER PER BOLT)
- BOLT PROJECTION:** 3" REQUIRED



SINCE 1944  
  
**Spring City Electrical Mfg. Co.**  
 HALL AND MAIN STREETS - P.O. BOX 19 - SPRING CITY, PA. 19475  
 PHONE (610) 948-4000 FAX (610) 948-5577  
 E-mail ADDRESS: sales@springcity.com

DESCRIPTION	BDWSH-12-3-50-LT-YCLO	PDF
-------------	-----------------------	-----