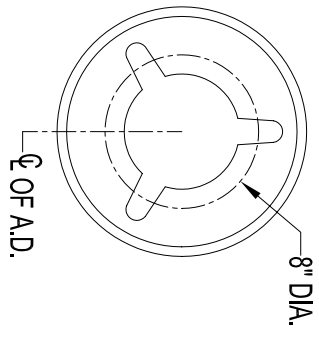
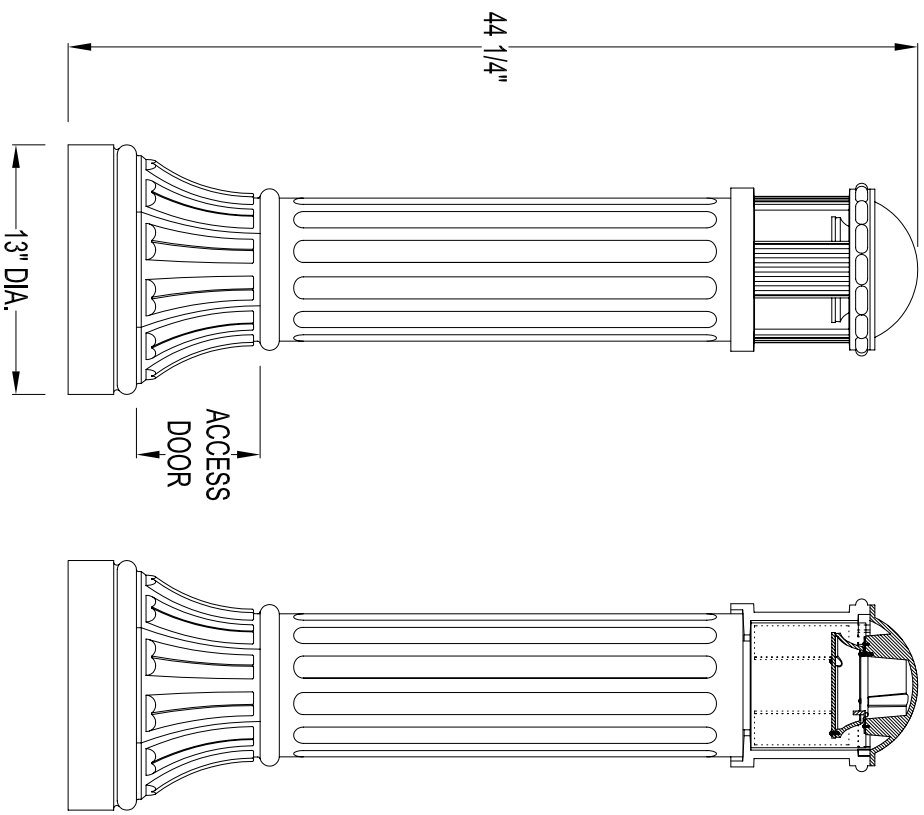


This drawing is the property of Spring City Elect. Mfg. Co. and is issued to the recipient with the understanding that it shall not be copied, duplicated, passed on to unauthorized parties, nor used for any purpose other than that for which it is specifically furnished except with Spring City's written permission.

LIGHTED BOLLARD SPECIFICATIONS

- STYLE:** WASHINGTON/TAMPA
- HEIGHT:** 44 1/4"
- BASE:** 13" DIAMETER
- MATERIAL:**
- (A) CAST ALUMINUM ALLOY ANSI 356 PER A.S.T.M. B26-96
 - (I) CAST IRON PER A.S.T.M. A48-83 CLASS 30
 - (D) CAST DUCTILE IRON PER A536-84 GRADE 65-45-12
- CYLINDER:** CLEAR ACRYLIC
- FINISH:** PRIME PAINT THEN FINISH SHERWIN WILLIAMS ACROLON - PLEASE ADVISE COLOR
- LAMPING:** WATT LED (25 WATT MAX)
- VOLTAGE:** ELECTRONICALLY WIRED AT 120 208 240 277 480
- BOARDS:** 1 REQUIRED
- ACCESS DOOR:** LOCATED IN BASE SECURED WITH TAMPER PROOF HEX SOCKET SECURITY MACHINE SCREWS
- GROUND STUD PROVISIONS:** DRILL AND TAP INSIDE WALL OF BASE TO ACCOMMODATE A 1/4" X 20 GROUND STUD (GROUND STUD SUPPLIED BY OTHERS)
- ANCHOR BOLTS:** (3) 3/4" DIA. X 24" LONG + 3" HOOK (FULLY GALVANIZED WITH 1 GALVANIZED NUT AND 1 GALVANIZED WASHER PER BOLT)
- BOLT PROJECTION:** 3" REQUIRED





Spring City Electrical Mfg. Co.

SINCE 1943
 HALL AND MAIN STREETS - P.O. BOX 19 - SPRING CITY, PA. 19475
 PHONE (610) 948-4000 FAX (610) 948-5577
 E-mail ADDRESS: sales@springcity.com

DESCRIPTION	_BDWST-13-3-69-LT-LE0__EV_X1-YCLO-HCS	PDF
-------------	---------------------------------------	-----