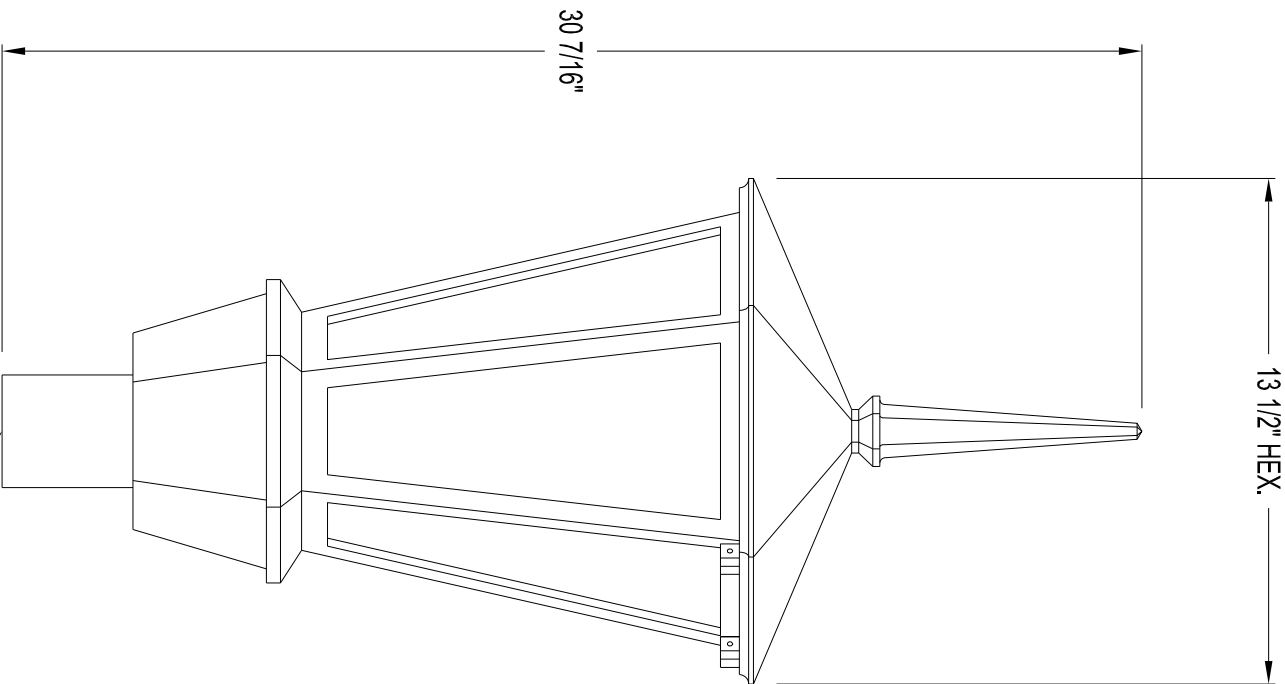


This drawing is the property of Spring City Elect. Mfg. Co. and is issued to the recipient with the understanding that it shall not be copied, duplicated, passed on to unauthorized parties, nor used for any purpose other than that for which it is specifically furnished except with Spring City's written permission.



TO ACCEPT A 2 7/8" DIA. X 3" HIGH TENON

LUMINAIRE SPECIFICATIONS

- STYLE: ACTON WITH ACTON FINIAL
 HEIGHT: 30 7/16"
 WIDTH: 13 1/2" HEXAGONAL
 MATERIAL: CAST ALUMINUM ALLOY ANSI 356 PER A.S.T.M. B26-95
 PANELS: POLYCARBONATE (PLO) CLEAR (WHP) WHITE OTHER _____
 FINISH: PRIME PAINT THEN FINISH SHERWIN WILLIAMS ACROLOX - PLEASE ADVISE COLOR _____
 LAMPING: WATT (150 MAX) HPS MH INC OTHER _____
 VOLTAGE: 120 208 240 277 480 QUAD
 SOCKET: MEDIUM BASE MOGUL BASE OTHER _____
- PHOTO CONTROL: OPTIONAL - BUTTON TYPE

SINCE 1843

Spring City Electrical Mfg. Co.
 HALL AND MAIN STREETS - P.O. BOX 19 - SPRING CITY, PA. 19475
 PHONE (610) 948-4000 FAX (610) 948-5577
 E-mail ADDRESS: sales@springcity.com

DESCRIPTION	ALMACT-P__-FAN	PDF
-------------	----------------	-----