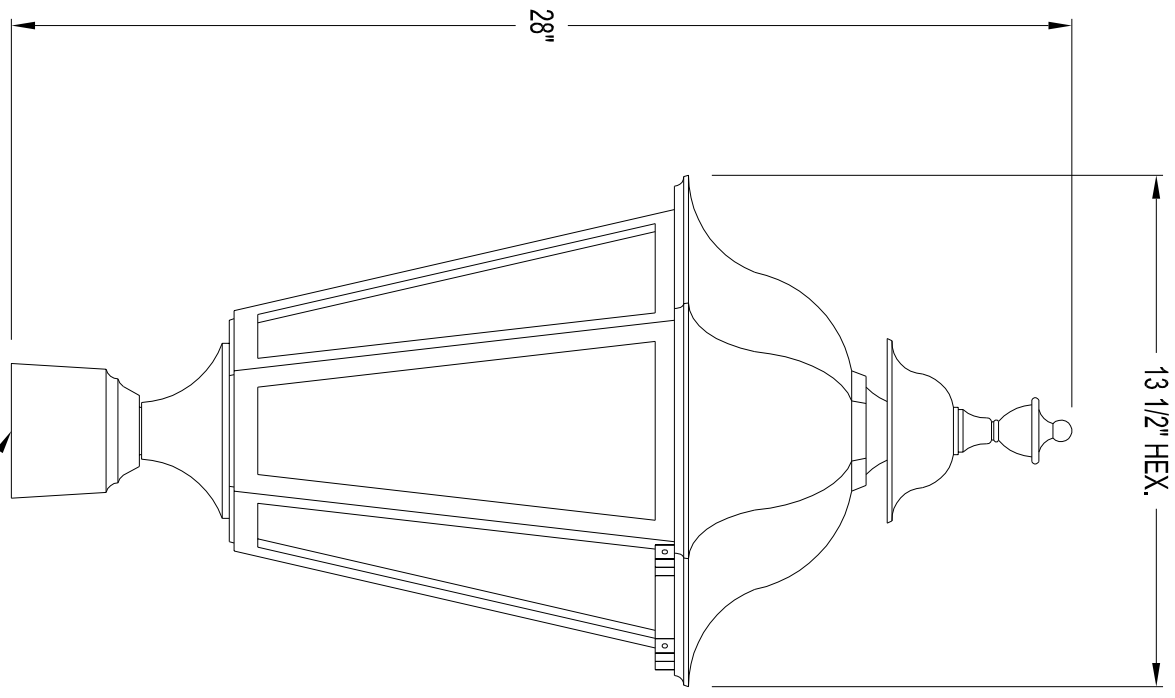


This drawing is the property of Spring City Elect. Mfg. Co. and is issued to the recipient with the understanding that it shall not be copied, duplicated, passed on to unauthorized parties, nor used for any purpose other than that for which it is specifically furnished except with Spring City's written permission.



TO ACCEPT A 2 7/8" DIA. X 2" HIGH TENON

LUMINAIRE SPECIFICATIONS

STYLE: ALLARD WITH ARVIDA FINIAL
 HEIGHT: 28"
 WIDTH: 13 1/2" HEXAGONAL
 MATERIAL: CAST ALUMINUM ALLOY ANSI 356 PER A.S.T.M. B26-95
 PANELS: POLYCARBONATE (PLO) CLEAR (WHP) WHITE OTHER _____
 FINISH: PRIME PAINT THEN FINISH SHERWIN WILLIAMS ACROLON - PLEASE ADVISE COLOR _____
 LAMPING: _____ WATT (175 MAX) INC. OTHER _____
 VOLTAGE: 120 208 240 277 480 QUAD _____
 SOCKET: MEDIUM BASE MOGUL BASE OTHER _____
 PHOTO CONTROL: OPTIONAL - BUTTON TYPE _____
 NOTE: H.I.D. LAMPING REQUIRES REMOTELY MOUNTED BALLAST


Spring City Electrical Mfg. Co.
SINCE 1943
 HALL AND MAIN STREETS - P.O. BOX 19 - SPRING CITY, PA. 19475
 PHONE (610) 948-4000 FAX (610) 948-5577
 E-mail ADDRESS: sales@springcity.com

DESCRIPTION	ALMALL-P__-FAV	PDF
-------------	----------------	-----