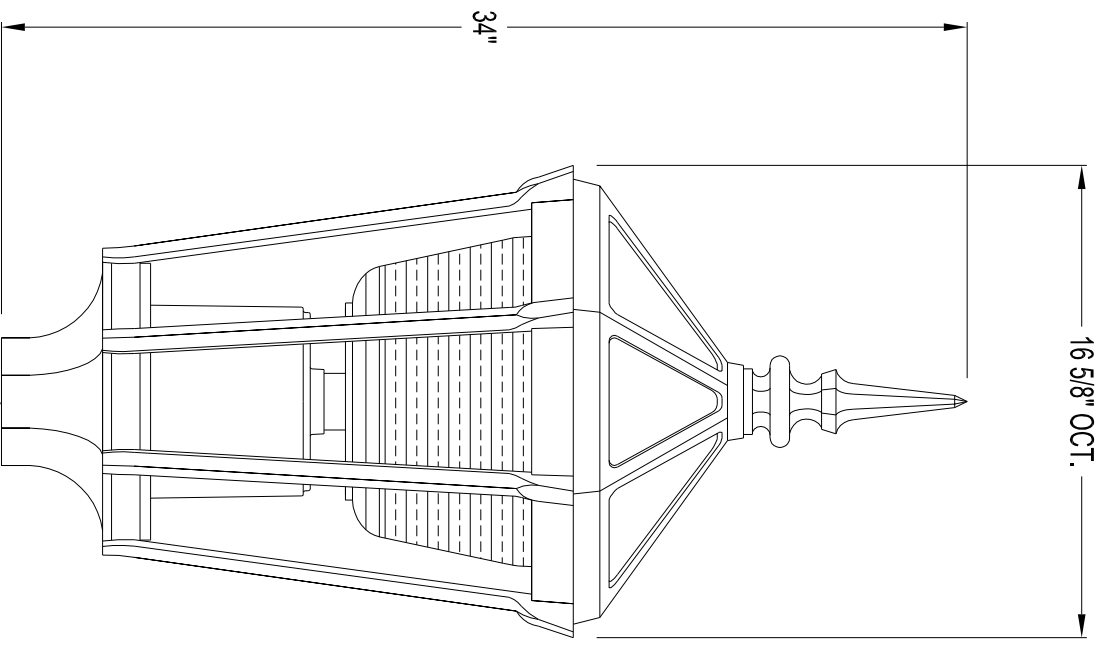


This drawing is the property of Spring City Elect. Mfg. Co. and is issued to the recipient with the understanding that it shall not be copied, duplicated, passed on to unauthorized parties, nor used for any purpose other than that for which it is specifically furnished except with Spring City's written permission.



LUMINAIRE SPECIFICATIONS

STYLE: WILLIAM AND MARY WITH SMALL FITTER
 HEIGHT: 34"
 WIDTH: 16 5/8" OCTAGONAL
 MATERIAL: CAST ALUMINUM ALLOY ANSI 356 PER A.S.T.M. B26-95
 PANELS: POLYCARBONATE (PLO) CLEAR (WHP) WHITE OTHER _____
 FINISH: PRIME PAINT THEN FINISH SHERWIN WILLIAMS ACRYLON - PLEASE ADVISE COLOR _____
 LAMPING: WATT HPS MH MV INC OTHER _____
 VOLTAGE: 120 208 240 277 480 QUAD _____
 SOCKET: MEDIUM BASE MOGUL BASE OTHER _____
 REFRACTOR: 12" INTERNAL
 DISTRIBUTION: (3) TYPE III - ASYMMETRIC (5) TYPE V - SYMMETRIC
 PHOTO CONTROL: OPTIONAL - BUTTON TYPE

TO ACCEPT A 3" DIA. X 3" HIGH TENON

HALL AND MAIN STREETS - P.O. BOX 19 - SPRING CITY, PA. 19475
 PHONE (610) 948-4000 FAX (610) 948-5577
 E-mail ADDRESS: sales@springcity.com

DESCRIPTION	ALMWMSP__L2_FED	PDF
-------------	-----------------	-----