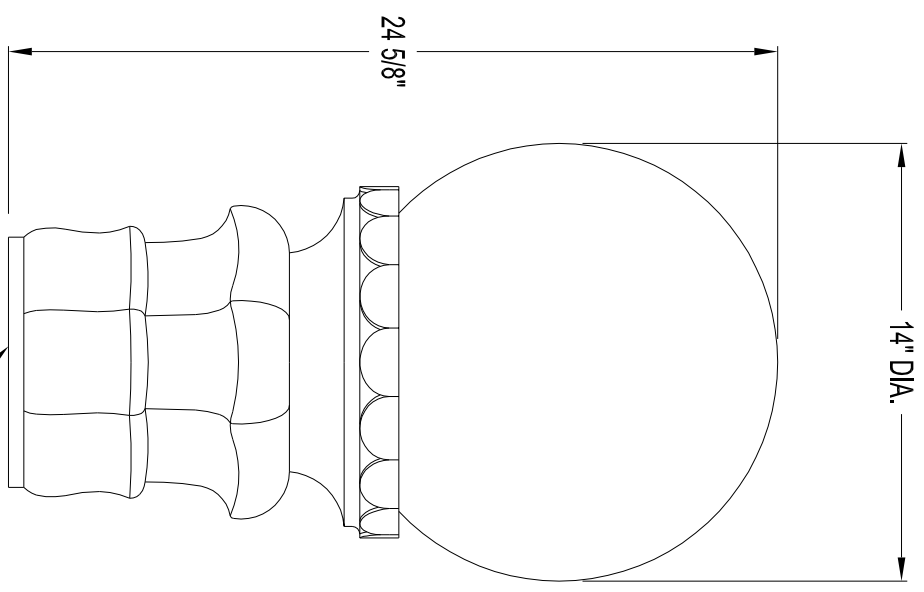


*This drawing is the property of Spring City Elect. Mfg. Co. and is issued to the recipient with the understanding that it shall not be copied, duplicated, passed on to unauthorized parties, nor used for any purpose other than that for which it is specifically furnished except with Spring City's written permission.*



**LUMINAIRE SPECIFICATIONS**

STYLE: ARMORY SQUARE CASING - 14" BALL GLOBE  
 HEIGHT: 24 5/8"  
 WIDTH: 14" DIAMETER  
 MATERIAL:  (A) CAST ALUMINUM ALLOY ANSI 356 PER A.S.T.M. B26-95  
 (I) CAST IRON PER A.S.T.M. A 48-83 CLASS 30  
 WHITE POLYCARBONATE  
 GLOBE: PRIME PAINT THEN FINISH SHERWIN WILLIAMS ACRYLON - PLEASE ADVISE COLOR  
 FINISH: \_\_\_\_\_  
 LAMPING: WATT  HPS  MH  MV  INC  OTHER \_\_\_\_\_  
 VOLTAGE:  120  208  240  277  480  QUAD  
 SOCKET:  MEDIUM BASE  MOGUL BASE  OTHER \_\_\_\_\_  
 PHOTO CONTROL: \_\_\_\_\_  
 OPTIONAL - BUTTON TYPE \_\_\_\_\_



SINCE 1843  
 HALL AND MAIN STREETS - P.O. BOX 19 - SPRING CITY, PA. 19475  
 PHONE (610) 948-4000 FAX (610) 948-5577  
 E-mail ADDRESS: sales@springcity.com

DESCRIPTION	LMARM-PW14	PDF
-------------	------------	-----