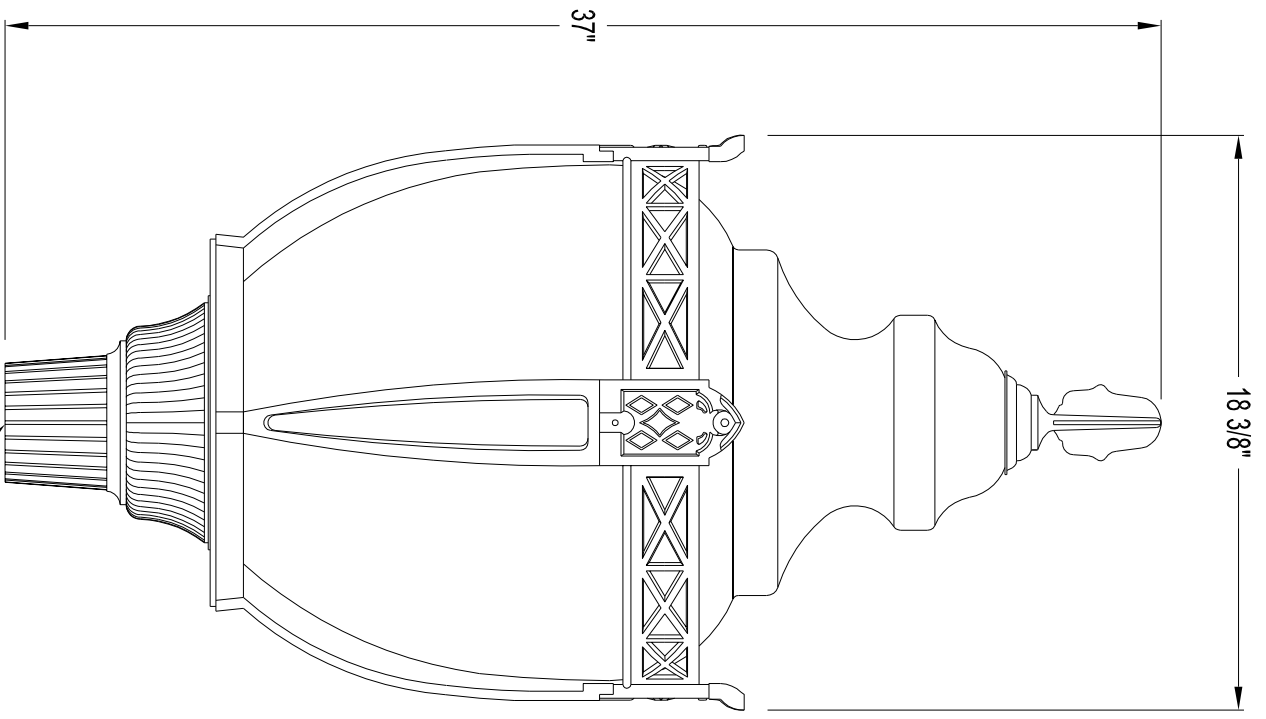


This drawing is the property of Spring City Elect. Mfg. Co. and is issued to the recipient with the understanding that it shall not be copied, duplicated, passed on to unauthorized parties, nor used for any purpose other than that for which it is specifically furnished except with Spring City's written permission.



LUMINAIRE SPECIFICATIONS

STYLE: BRYN MAWR CASING - 118 GLOBE WITH FINIAL, TARBORO STRUTS AND RING
HEIGHT: 37"
WIDTH: 18 3/8"
MATERIAL: CAST ALUMINUM ALLOY ANSI 356 PER A.S.T.M. B26-95
GLOBE: STIPPLED POLYCARBONATE
FINISH: PRIME PAINT THEN FINISH SHERWIN WILLIAMS ACROLON - PLEASE ADVISE COLOR
LAMPING: WATT HPS MH MV INC OTHER _____
VOLTAGE: 120 208 240 277 480 QUAD
SOCKET: MEDIUM BASE MOGUL BASE OTHER _____
PHOTO CONTROL: OPTIONAL - BUTTON TYPE

TO ACCEPT A 2 7/8" O.D. X 3" HIGH TENON



SINCE 1843
 HALL AND MAIN STREETS - P.O. BOX 19 - SPRING CITY, PA. 19475
 PHONE (610) 948-4000 FAX (610) 948-5577
 E-mail ADDRESS: sales@springcity.com

| | | |
|-------------|--------------------|-----|
| DESCRIPTION | ALMBNM-PS11-FFP-TB | PDF |
|-------------|--------------------|-----|