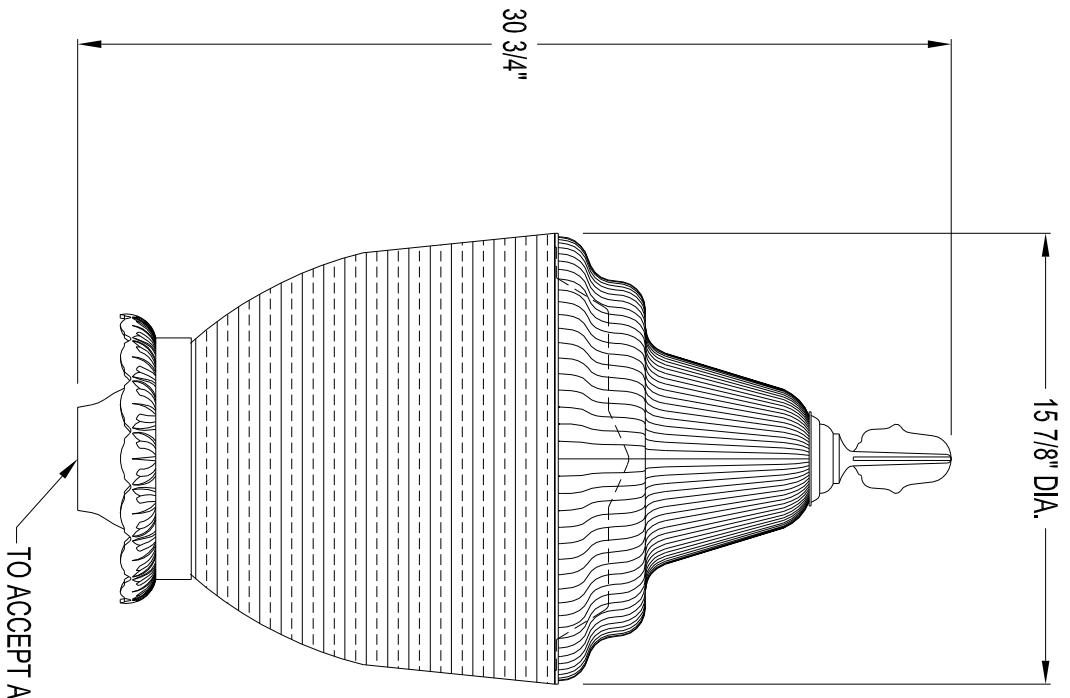


*This drawing is the property of Spring City Elect. Mfg. Co. and is issued to the recipient with the understanding that it shall not be copied, duplicated, passed on to unauthorized parties, nor used for any purpose other than that for which it is specifically furnished except with Spring City's written permission.*



**LUMINAIRE SPECIFICATIONS**

STYLE: CHARLESTON SMALL CASING - 118 GLOBE WITH 424 REFRACTIVE LITELID AND FINIAL  
 HEIGHT: 30 3/4"  
 WIDTH: 15 7/8" DIAMETER  
 MATERIAL: CAST ALUMINUM ALLOY ANSI 356 PER A.S.T.M. B26-95  
 GLOBE: REFRACTIVE POLYCARBONATE  
 DISTRIBUTION:  (3) TYPE III - ASYMMETRIC  (5) TYPE V - SYMMETRIC  
 FINISH: PRIME PAINT THEN FINISH SHERWIN WILLIAMS ACROLOX - PLEASE ADVISE COLOR  
 LAMPING: WATT  HPS  MH  MV  JNC  OTHER \_\_\_\_\_  
 VOLTAGE:  120  208  240  277  480  QUAD  
 SOCKET:  MEDIUM BASE  MOGUL BASE  OTHER \_\_\_\_\_

NOTE: H.I.D. LAMPING REQUIRES REMOTELY MOUNTED BALLAST

TO ACCEPT A 2 7/8" DIA. X 2 1/2" HIGH TENON



HALL AND MAIN STREETS - P.O. BOX 19 - SPRING CITY, PA. 19475  
 PHONE (610) 948-4000 FAX (610) 948-5577  
 E-mail ADDRESS: sales@springcity.com

DESCRIPTION	ALMCHS-PF9 _FPP	PDF
-------------	-----------------	-----