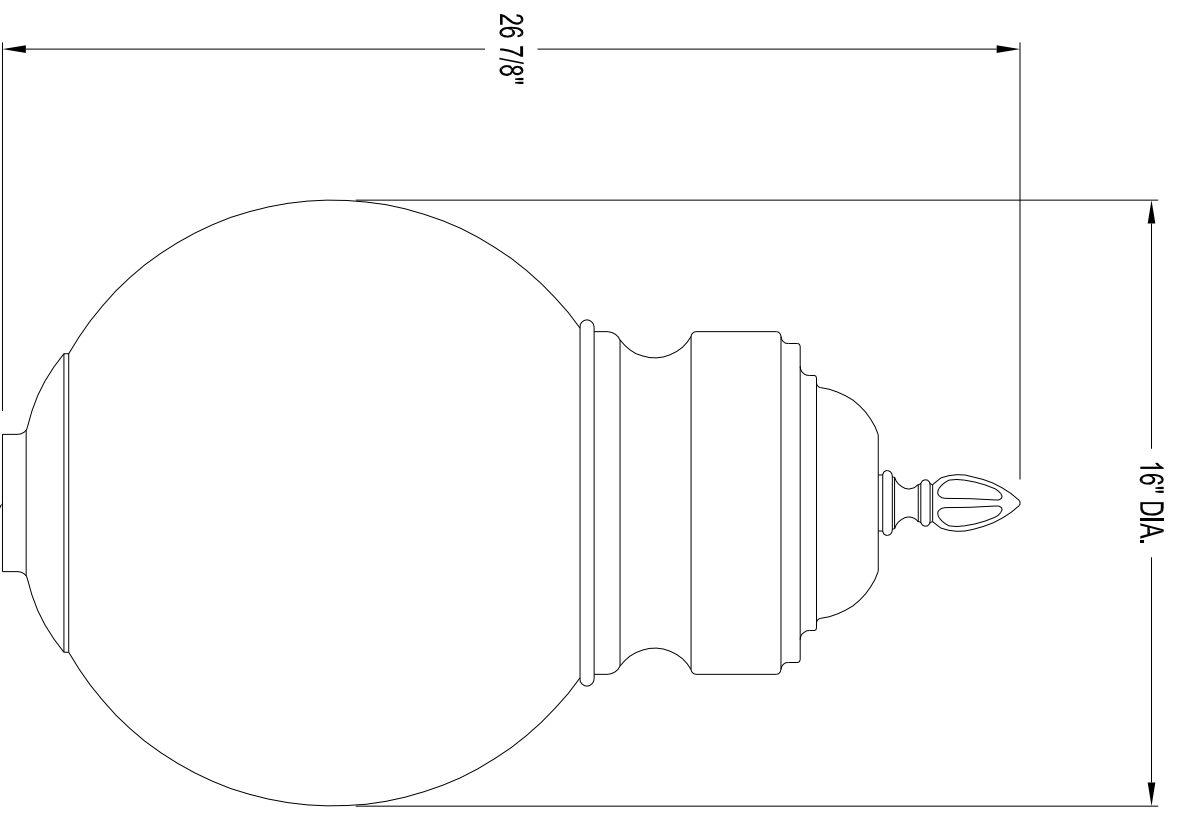


*This drawing is the property of Spring City Elect. Mfg. Co. and is issued to the recipient with the understanding that it shall not be copied, duplicated, passed on to unauthorized parties, nor used for any purpose other than that for which it is specifically furnished except with Spring City's written permission.*



**LUMINAIRE SPECIFICATIONS**

**STYLE:** EDMONTON CASING - 16" BALL GLOBE WITH READING SPUN TOP AND BOROUGH FINIAL  
**HEIGHT:** 26 7/8"  
**WIDTH:** 16" DIAMETER  
**MATERIAL:** CAST ALUMINUM ALLOY ANSI 356 PER A.S.T.M. B26-95 AND SPUN ALUMINUM  
**GLOBE:** WHITE POLYCARBONATE  
**FINISH:** PRIME PAINT THEN FINISH SHERWIN WILLIAMS ACROLOX - PLEASE ADVISE COLOR  
**LAMPING:** WATT  120  208  240  277  480  QUAD  
 HPS  MH  MV  JINC  OTHER \_\_\_\_\_  
**VOLTAGE:** \_\_\_\_\_  
**SOCKET:**  MEDIUM BASE  MOGUL BASE  OTHER \_\_\_\_\_  
**NOTE:** H.I.D. LAMPING REQUIRES REMOTELY MOUNTED BALLAST

TO ACCEPT A 2 7/8" DIA. X 1 1/2" HIGH TENON

HALL AND MAIN STREETS - P.O. BOX 19 - SPRING CITY, PA. 19475  
 PHONE (610) 948-4000 FAX (610) 948-5577  
 E-mail ADDRESS: sales@springcity.com

DESCRIPTION	ALMEDT-PW16-FBR-RS	PDF
-------------	--------------------	-----