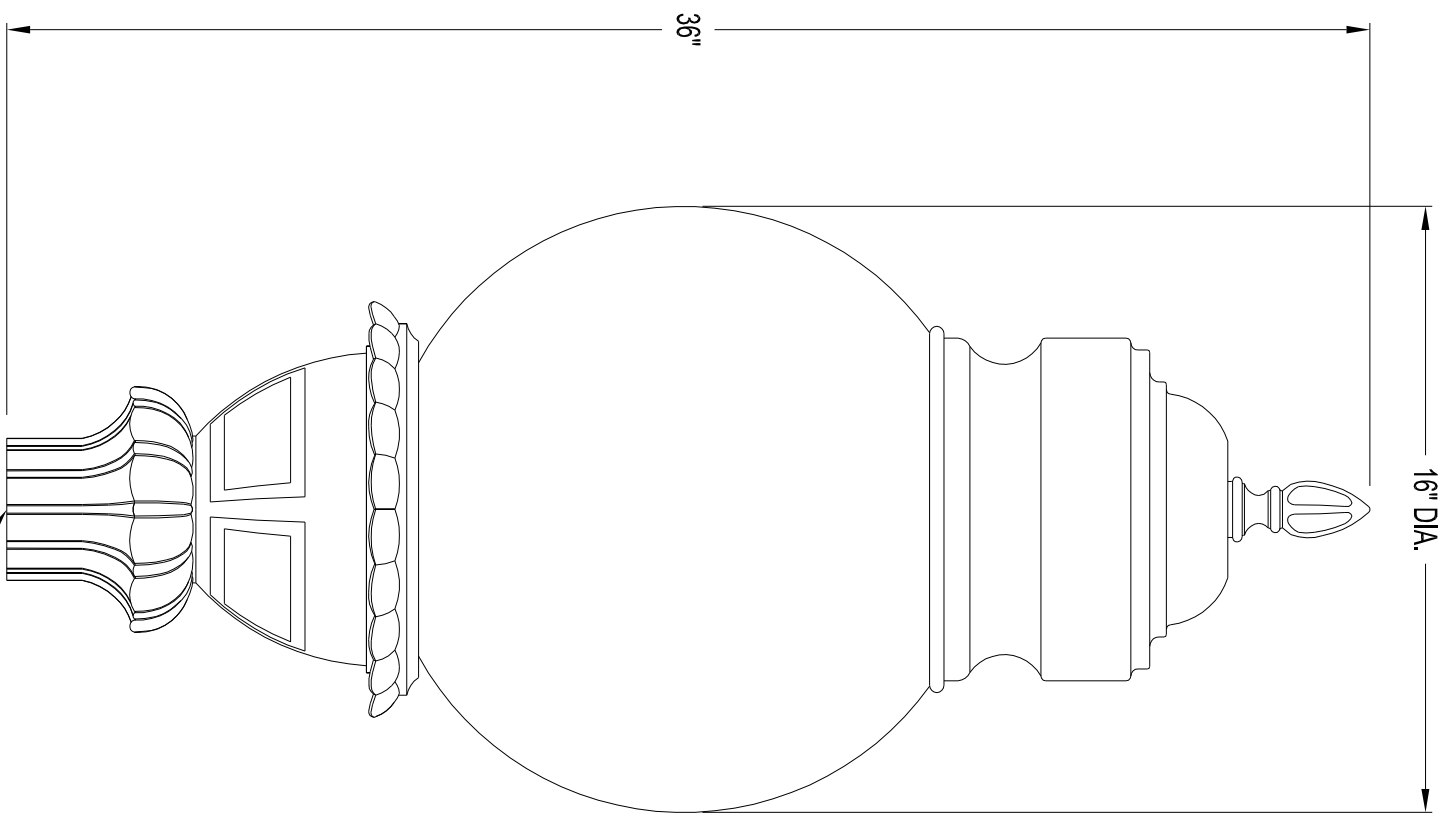


This drawing is the property of Spring City Elect. Mfg. Co. and is issued to the recipient with the understanding that it shall not be copied, duplicated, passed on to unauthorized parties, nor used for any purpose other than that for which it is specifically furnished except with Spring City's written permission.



LUMINAIRE SPECIFICATIONS

STYLE: GETTYSBURG CASING - 16" BALL GLOBE WITH READING SPUN TOP AND BOROUGH FINIAL
 HEIGHT: 36"
 WIDTH: 16" DIAMETER
 MATERIAL: CAST ALUMINUM ALLOY ANS1 356 PER A.S. T.M. B26-95 AND SPUN ALUMINUM
 GLOBE: WHITE POLYCARBONATE
 FINISH: PRIME PAINT THEN FINISH SHERWIN WILLIAMS ACROLOX - PLEASE ADVISE COLOR
 LAMPING: WATT HPS MH MV INC OTHER _____
 VOLTAGE: 120 208 240 277 480 QUAD
 SOCKET: MEDIUM BASE MOGUL BASE OTHER _____
 PHOTO CONTROL: OPTIONAL - BUTTON TYPE

TO ACCEPT A 2 7/8" DIA. X 3" HIGH TENON

HALL AND MAIN STREETS - P.O. BOX 19 - SPRING CITY, PA. 19475
 PHONE (610) 948-4000 FAX (610) 948-5577
 E-mail ADDRESS: sales@springcity.com

DESCRIPTION	ALMGTT-PW16-FBR-RS	PDF
-------------	--------------------	-----