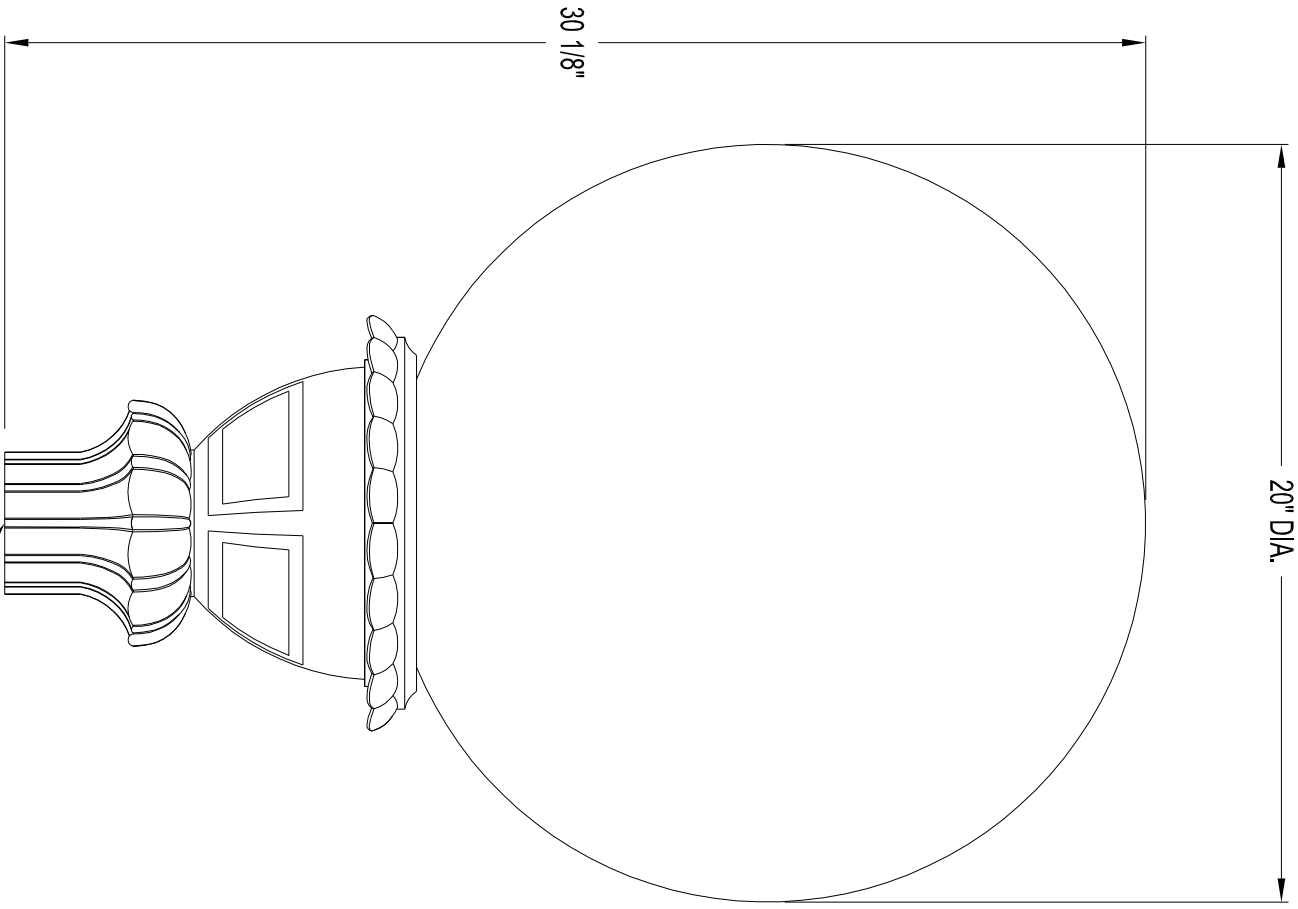


20" DIA.



LUMINAIRE SPECIFICATIONS

STYLE: GETTYSBURG CASING - 20" BALL GLOBE
 HEIGHT: 30 1/8"
 WIDTH: 20" DIAMETER
 MATERIAL: CAST ALUMINUM ALLOY ANSI 356 PER A.S.T.M. B26-95
 GLOBE: WHITE POLYCARBONATE
 FINISH: PRIME PAINT THEN FINISH SHERWIN WILLIAMS ACRYLON - PLEASE ADVISE COLOR
 LAMPING: WATT 120 208 240 277 480 QUAD
 VOLTAGE: MEDIUM BASE MOGUL BASE OTHER _____
 SOCKET: _____
 PHOTO CONTROL: _____
 OPTIONAL - BUTTON TYPE _____

This drawing is the property of Spring City Elect. Mfg. Co. and is issued to the recipient with the understanding that it shall not be copied, duplicated, passed on to unauthorized parties, nor used for any purpose other than that for which it is specifically furnished except with Spring City's written permission.



SINCE 1843
 HALL AND MAIN STREETS - P.O. BOX 19 - SPRING CITY, PA. 19475
 PHONE (610) 948-4000 FAX (610) 948-5577
 E-mail ADDRESS: sales@springcity.com

DESCRIPTION	ALMGTT-PW20	PDF
-------------	-------------	-----