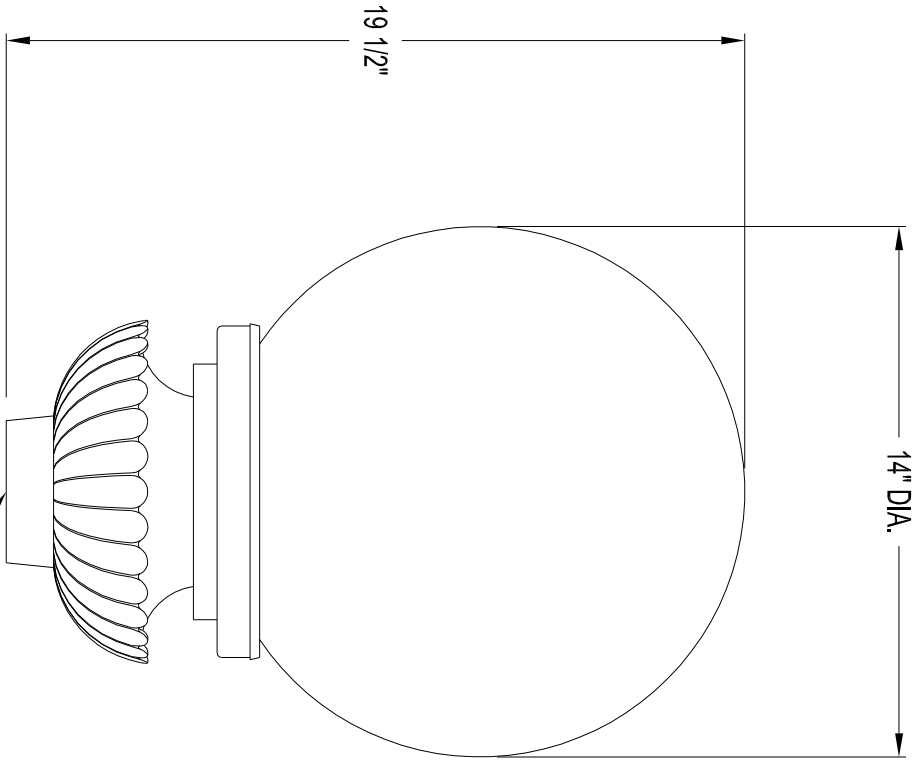


This drawing is the property of Spring City Elect. Mfg. Co. and is issued to the recipient with the understanding that it shall not be copied, duplicated, passed on to unauthorized parties, nor used for any purpose other than that for which it is specifically furnished except with Spring City's written permission.



TO ACCEPT A 2 7/8" DIA. X 2" HIGH TENON

LUMINAIRE SPECIFICATIONS

STYLE: SAINT PAUL CASING - 14" BALL GLOBE
HEIGHT: 19 1/2"
WIDTH: 14" DIAMETER
MATERIAL: CAST ALUMINUM ALLOY ANSI 356 PER A.S.T.M. B26-95
GLOBE: WHITE POLYCARBONATE
FINISH: PRIME PAINT THEN FINISH SHERWIN WILLIAMS ACRYLON - PLEASE ADVISE COLOR
LAMPING: WATT HPS MH MV JINC OTHER _____
VOLTAGE: 120 208 240 277 480 QUAD
SOCKET: MEDIUM BASE MOGUL BASE OTHER _____
PHOTO CONTROL: _____ **OPTIONAL - BUTTON TYPE** _____

Spring City Electrical Mfg. Co.

SINCE 1843
 HALL AND MAIN STREETS - P.O. BOX 19 - SPRING CITY, PA. 19475
 PHONE (610) 948-4000 FAX (610) 948-5577
 E-mail ADDRESS: sales@springcity.com

DESCRIPTION	ALMSPL-PW14	PDF
-------------	-------------	-----