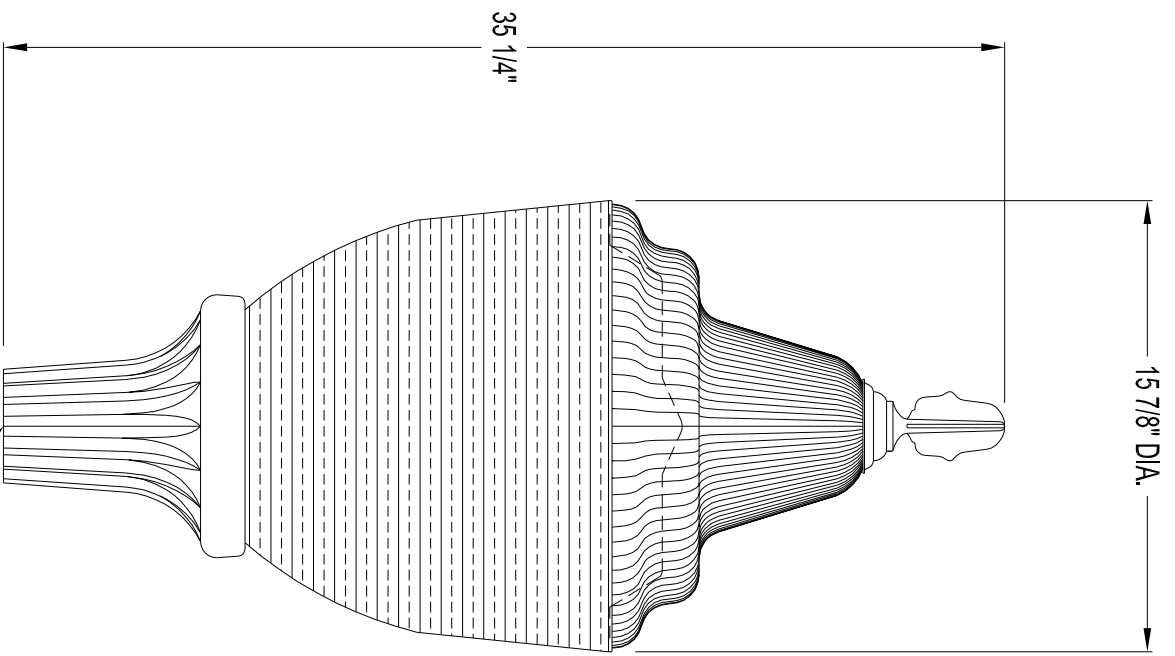


This drawing is the property of Spring City Elect. Mfg. Co. and is issued to the recipient with the understanding that it shall not be copied, duplicated, passed on to unauthorized parties, nor used for any purpose other than that for which it is specifically furnished except with Spring City's written permission.



TO ACCEPT A 2 7/8" DIA. X 3" HIGH TENON

LUMINAIRE SPECIFICATIONS

STYLE: SAN ANTONIO MEDIUM CASING - 118 GLOBE WITH 424 REFRACTIVE LITELID AND FINIAL
 HEIGHT: 35 1/4"
 WIDTH: 15 7/8" DIAMETER
 MATERIAL: 1 PIECE, CAST ALUMINUM ALLOY ANSI 356 PER A.S. T.M. B26-95
 GLOBE: REFRACTIVE POLYCARBONATE
 DISTRIBUTION: (3) TYPE III - ASYMMETRIC (5) TYPE V - SYMMETRIC
 FINISH: PRIME PAINT THEN FINISH SHERWIN WILLIAMS ACRYLON - PLEASE ADVISE COLOR
 LAMPING: WATT HPS MH MV OTHER _____
 VOLTAGE: 120 208 240 277 480 QUAD
 SOCKET: MEDIUM BASE MOGUL BASE OTHER _____

PHOTO CONTROL: OPTIONAL - BUTTON TYPE

NOTE: H.I.D. LAMPING REQUIRES REMOTELY MOUNTED BALLAST


Spring City Electrical Mfg. Co.
SINCE 1843
 HALL AND MAIN STREETS - P.O. BOX 19 - SPRING CITY, PA. 19475
 PHONE (610) 948-4000 FAX (610) 948-5577
 E-mail ADDRESS: sales@springcity.com

DESCRIPTION	ALMSAM-PF9_FPP	PDF
-------------	----------------	-----