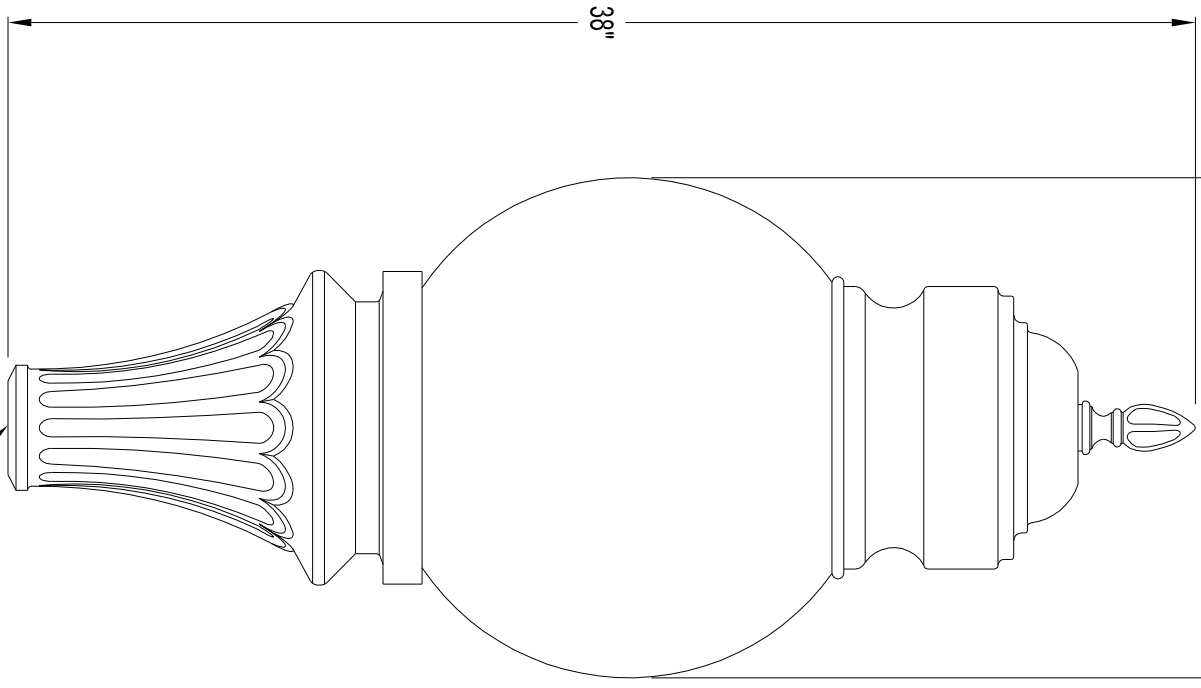


16" DIA.



TO ACCEPT A 2 7/8" DIA. X 3" HIGH TENON

LUMINAIRE SPECIFICATIONS

- STYLE: SHASTA CASING - 16" BALL GLOBE WITH READING SPUN TOP AND BOROUGH FINIAL
- HEIGHT: 38"
- WIDTH: 16" DIAMETER
- MATERIAL:  (A) CAST ALUMINUM ALLOY ANSI 356 PER A.S.T.M. B26-95 AND SPUN ALUMINUM  
 (I) CAST IRON PER A.S.T.M. A48-83 CLASS 30 AND SPUN ALUMINUM
- GLOBE: WHITE POLYCARBONATE
- FINISH: PRIME PAINT THEN FINISH SHERWIN WILLIAMS ACROLOX - PLEASE ADVISE COLOR
- LAMPING: WATT  HPS  MH  MV  INC  OTHER \_\_\_\_\_
- VOLTAGE:  120  208  240  277  480  QUAD
- SOCKET:  MEDIUM BASE  MOGUL BASE  OTHER \_\_\_\_\_
- PHOTO CONTROL: \_\_\_\_\_
- OPTIONAL - BUTTON TYPE \_\_\_\_\_

*This drawing is the property of Spring City Elect. Mfg. Co. and is issued to the recipient with the understanding that it shall not be copied, duplicated, passed on to unauthorized parties, nor used for any purpose other than that for which it is specifically furnished except with Spring City's written permission.*



SINCE 1843  
HALL AND MAIN STREETS - P.O. BOX 19 - SPRING CITY, PA. 19475  
PHONE (610) 948-4000 FAX (610) 948-5577  
E-mail ADDRESS: sales@springcity.com

DESCRIPTION	_LMSHA-PW16-FBR-RS	PDF
-------------	--------------------	-----