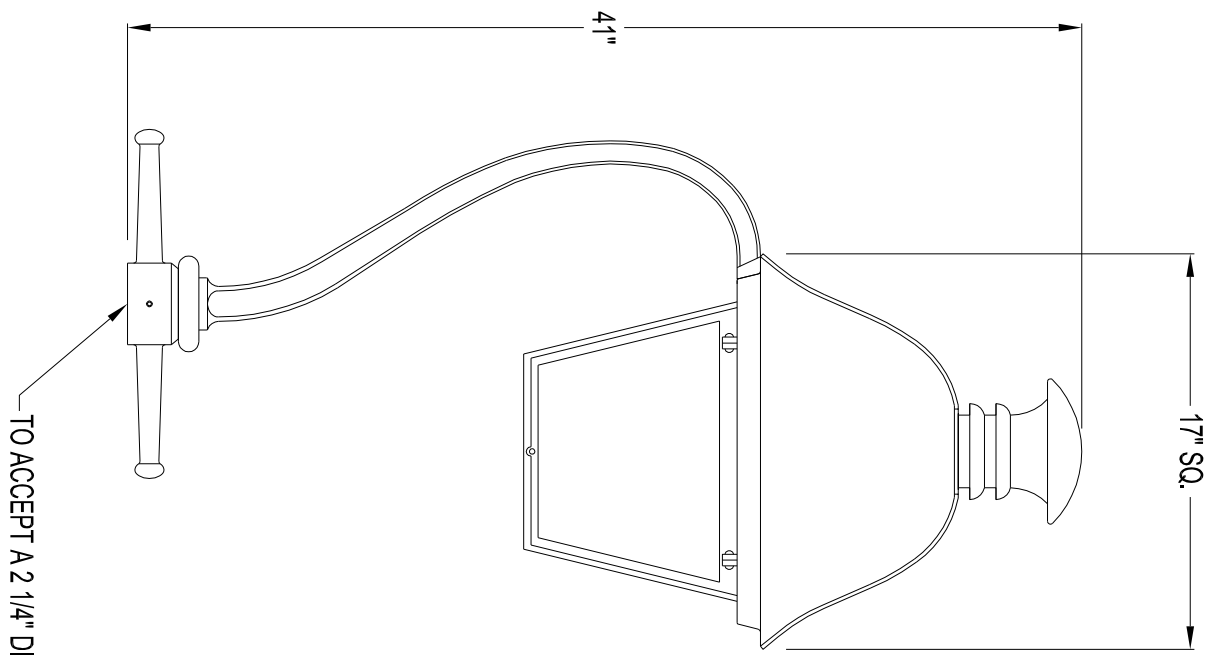


*This drawing is the property of Spring City Elect. Mfg. Co. and is issued to the recipient with the understanding that it shall not be copied, duplicated, passed on to unauthorized parties, nor used for any purpose other than that for which it is specifically furnished except with Spring City's written permission.*



**LUMINAIRE SPECIFICATIONS**

**STYLE:** INDEPENDENCE SQUARE  
**HEIGHT:** 41"  
**WIDTH:** 17" SQUARE  
**MATERIAL:** CAST ALUMINIUM ALLOY ANSI 356 PER A.S.T.M. B26-95  
**PANELS:** POLYCARBONATE  (PLO) CLEAR  (WHP) WHITE  (RP ) REFRACTIVE  OTHER \_\_\_\_\_  
**DISTRIBUTION:**  (3) TYPE III - ASYMMETRIC  (5) TYPE V - SYMMETRIC (FOR REFRACTIVE PANELS ONLY)  
**FINISH:** PRIME PAINT THEN FINISH SHERWIN WILLIAMS ACROLON - PLEASE ADVISE COLOR \_\_\_\_\_  
**LAMPING:** \_\_\_\_\_ WATT (70 MAX)  HPS  MH  INC  OTHER \_\_\_\_\_  
**VOLTAGE:**  120  208  240  277  480  QUAD  
**SOCKET:**  MEDIUM BASE  MOGUL BASE  OTHER \_\_\_\_\_  
**PHOTO CONTROL:** OPTIONAL - BUTTON TYPE

TO ACCEPT A 2 1/4" DIA. X 2 1/2" HIGH TENON



HALL AND MAIN STREETS - P.O. BOX 19 - SPRING CITY, PA. 19475  
 PHONE (610) 948-4000 FAX (610) 948-5577  
 E-mail ADDRESS: sales@springcity.com

DESCRIPTION	ALMIDP-P__-FID	PDF
-------------	----------------	-----