

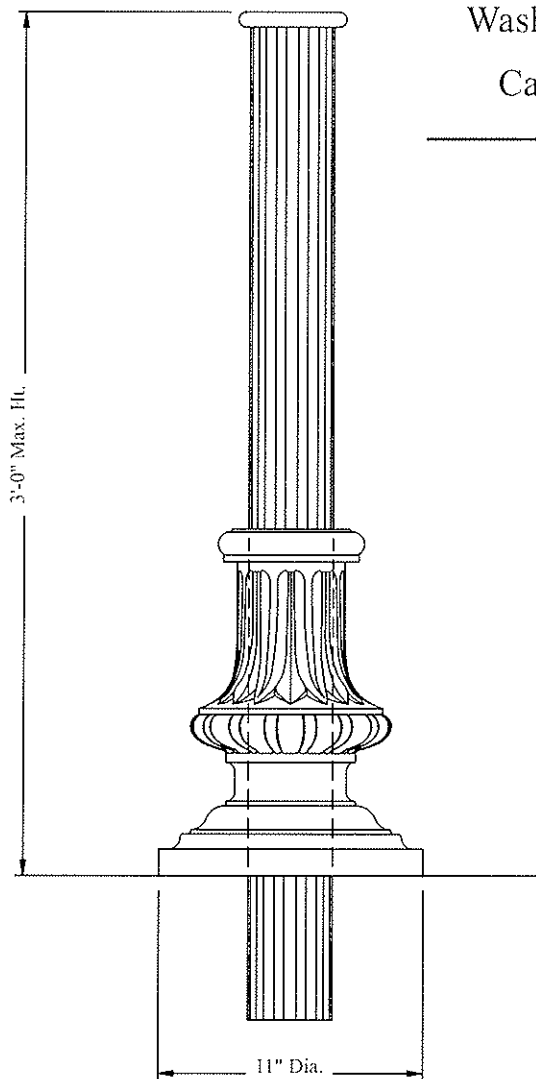
TABLE OF CONTENTS

Parking Meter Units

<u>PAGE</u>	<u>STYLE</u>	<u>CATALOG NUMBERS</u>
PB 1	Washington Parking Meter Bollard	BDWSH-11-3.00
PB 2	Washington and Madison Parking Meter Brackets	ARWSH or ARMDS
PB 3	Scarsdale Parking Meter Bollard	BDSCR-09-3.00
PB 4	Madison Call Box Bollard	BDMDS-18-4.86-CX
PB 5	Newburyport Call Box Post	PSNBP-19-09.17-CX

Washington Parking Meter Bollard

Catalog No.: BDWSH-11-3.00



Washington Parking Meter Bollard
BDWSH-11-3.00

Catalog Number Example: IBDWSH-11-3.00-CB
(Cast Iron Bollard Washington-11" Base Dimension-3' Height- Finish Classic Black)

Material Product Style - Base Dimension - Height (see above)-

- _____ IBDWSH-11-___(ht.) Cast Iron Bollard Washington Parking Meter - 11" dia. base - ___Height
- _____ DBDWSH-11-___(ht.) Cast Ductile Iron Bollard Washington Parking Meter - 11" dia. base - ___Height
- _____ ABDWSH-11-___(ht.) Cast Aluminum Bollard Washington Parking Meter - 11" dia. base - ___Height

Modifications

___EB- Eyebolt

Anchor Bolts: (Not Required)

Paint

- | | |
|--------------------------|------------------------|
| _____ PO Prime Only | _____ CB Classic Black |
| _____ BG Bottle Green | _____ VG Verde Green |
| _____ GI Grey Iron | _____ DB Dark Bronz |
| _____ LB Long Beach Blue | _____ UF Unfinished |
| _____ CW Custom Wet | _____ XX Modifier |
| _____ CP Custom Powder | |

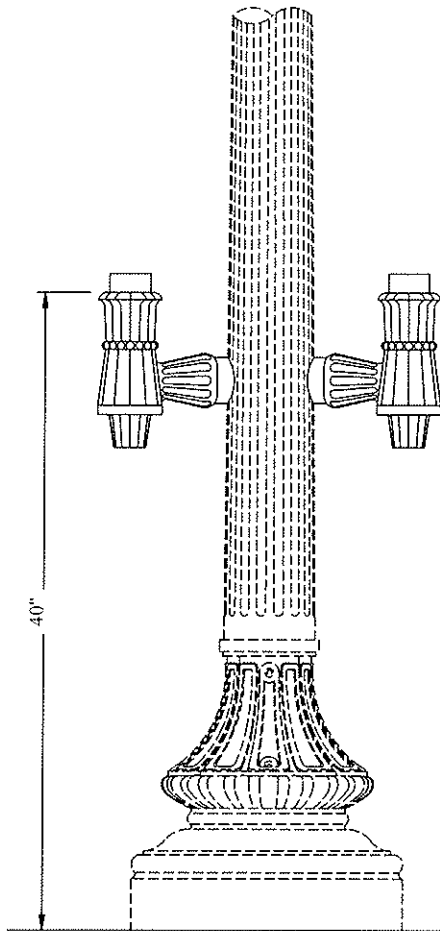


SPRING CITY ELECTRICAL MFG. CO., INC.
Hall & Main Streets, P. O. Box 19
Spring City, PA 19475-0019
Phone: 610-948-4000 Fax: 610-948-5577
Website: www.springcity.com

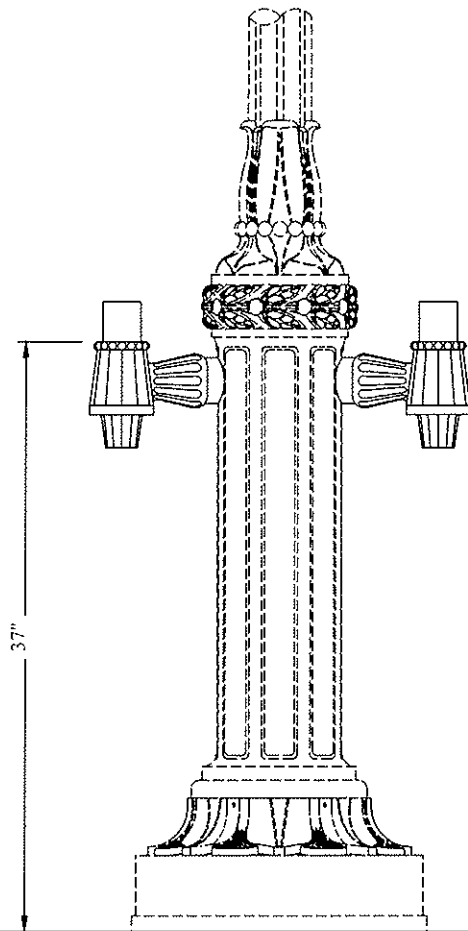
Revision 10/20008

Washington & Madison Parking Meter Bracket

Catalog No.: ARWSH-PM or ARMDS-PM



Washington Parking Meter Bracket
ARWSH-PM



Madison Parking Meter Bracket
ARMDS-PM

Catalog Number Example: DARWSH-PM-CB
(Cast Ductile Iron Arm Washington-Parking Meter Bracket- Finish Classic Black)

Material Product Style-

- _____ IARWSH-PM- Cast Iron Arm Washington-Parking Meter Bracket
- _____ DARWSH-PM- Cast Ductile Iron Arm Washington-Parking Meter Bracket
- _____ AARWSH-PM- Cast Aluminum Arm Washington-Parking Meter Bracket

Anchor Bolts:(Not Required)

Paint

- _____ PO Prime Only
- _____ BG Bottle Green
- _____ GI Grey Iron
- _____ LB Long Beach Blue
- _____ CW Custom Wet
- _____ CP Custom Powder
- _____ CB Classic Black
- _____ VG Verde Green
- _____ DB Dark Bronz
- _____ UF Unfinished
- _____ XX Modifier



SPRING CITY

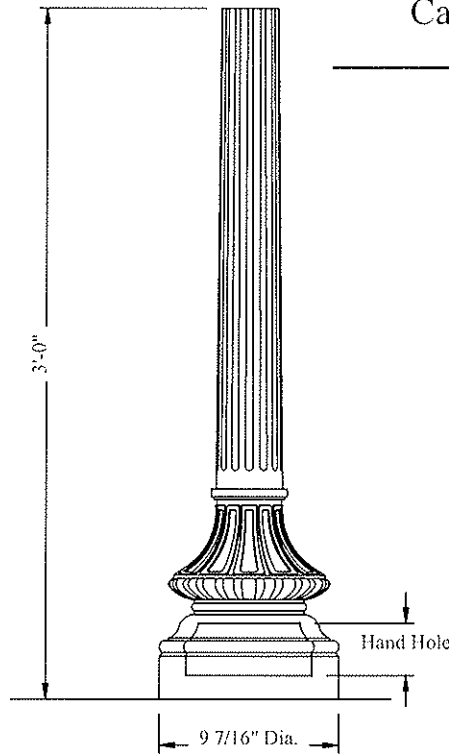
SPRING CITY ELECTRICAL MFG. CO., INC.
Hall & Main Streets, P. O. Box 19
Spring City, PA 19475-0019
Phone: 610-948-4000 Fax: 610-948-5577
Website: www.springcity.com

Revision 10/20008

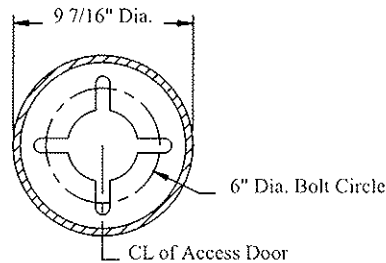
Page: PB 2

Scarsdale Parking Meter Bollard

Catalog No.: BDSCR-09-3.00



Scarsdale Parking Meter Bollard
BDSCR-09-3.00



Catalog Number Example: DBDSCR-09-3.00-323 / 1NW-CB

(Cast Ductile Iron Bollard Scarsdale - 9 7/16" dia. Base - 3' Height - 3/4" x 24" Anchor Bolts each with 1 Nut & Washer- Finish Classic Black)

Material Product Style - Base Dimension - *Height* (see above)-

_____	IBDSCR-09-3.00-	Cast Iron Bollard Scarsdale - 9 7/16" - 3' Ht.-
_____	DBDSCR-09-3.00-	Cast Ductile Iron Bollard Scarsdale - 9 7/16" - 3' Ht.-
_____	ABDSCR-09-3.00-	Cast Aluminum Bollard Scarsdale - 9 7/16" - 3' Ht.-

Modifications

_____ EB- Eyebolt _____ DP- Dedication Plaque

Anchor Bolts:

_____ 323/ 3/4" x 24"	_____ 130/ 1" x 30"
_____ 330/ 3/4" x 30"	_____ 136/ 1" x 36"
_____ 124/ 1" x 24"	_____ 140/ 1" x 40"
_____ 1NW- 1Nut & Washer / Bolt	
_____ 2NW- 2 Nuts & Washers / Bolt	

Paint

_____ PO Prime Only	_____ CB Classic Black
_____ BG Bottle Green	_____ VG Verde Green
_____ GI Grey Iron	_____ DB Dark Bronz
_____ LB Long Beach Blue	_____ UF Unfinished
_____ CW Custom Wet	_____ XX Modifier
_____ CP Custom Powder	



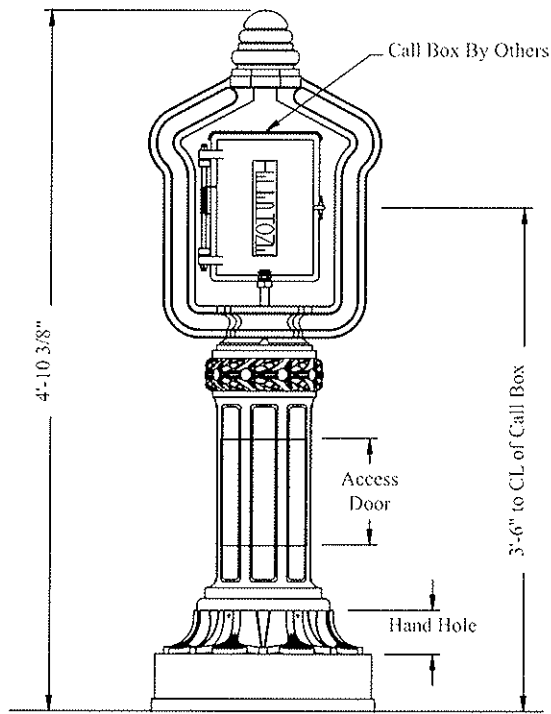
SPRING CITY ELECTRICAL MFG. CO., INC.
Hall & Main Streets, P. O. Box 19
Spring City, PA 19475-0019
Phone: 610-948-4000 Fax: 610-948-5577
Website: www.springcity.com

SPRING CITY

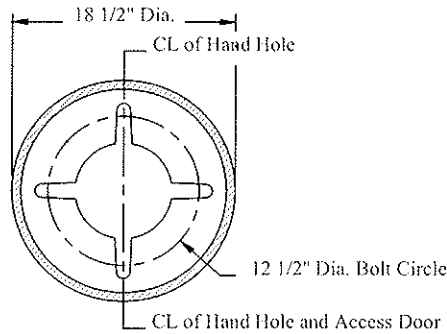
Revision 10/20008

Page: PB 3

Madison Bollard with Call Box
 Catalog No.: BDMDS-18-4.86-CX



Madison Call Box Bollard
 BDMDS-18-4.86-CX



Catalog Number Example: DBDMDS-18-CX-323/1NW-CB

(Cast Ductile Iron Bollard Madison-18 1/2" dia. Base - 4'-10 3/8" Height - Call Box-3/4" x 24" Anchor Bolts each with 1 Nut & Washer- Finish Classic Black)

Material Product Style - Base Dimension - Height-

- ___ IBDMDS-18-4.86-CX- Cast Iron Bollard Madison - 18 1/2" - 4'-10 3/8" Ht-
- ___ IDBDMDS-18-4.86-CX- Cast Ductile Iron Bollard Madison - 18 1/2" - 4'-10 3/8" Ht-
- ___ ABDMDS-18-4.86-CX- Cast Aluminum Bollard Madison - 18 1/2" - 4'-10 3/8" Ht-

Modifications

- ___ CX- Eyebolt
- ___ DP- Dedication Plaque
- ___ EB- Eyebolt

Anchor Bolts:

- ___ 323/ 3/4" x 24"
- ___ 330/ 3/4" x 30"
- ___ 124/ 1" x 24"
- ___ 130/ 1" x 30"
- ___ 136/ 1" x 36"
- ___ 140/ 1" x 40"
- ___ 1NW- 1Nut & Washer / Bolt
- ___ 2NW- 2 Nuts & Washers / Bolt

Paint

- ___ PO Prime Only
- ___ BG Bottle Green
- ___ GI Grey Iron
- ___ LB Long Beach Blue
- ___ CW Custom Wet
- ___ CP Custom Powder
- ___ CB Classic Black
- ___ VG Verde Green
- ___ DB Dark Bronz
- ___ UF Unfinished
- ___ XX Modifier



SPRING CITY ELECTRICAL MFG. CO., INC.
 Hall & Main Streets, P. O. Box 19
 Spring City, PA 19475-0019
 Phone: 610-948-4000 Fax: 610-948-5577
 Website: www.springcity.com

Revision 10/20008

Page: PB 4

