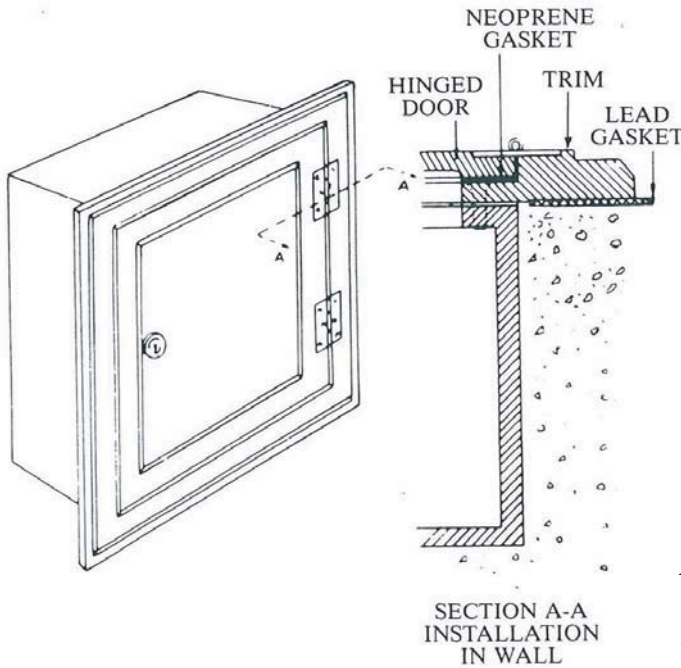


## HINGED DOOR AND TRIM CABINETS

## TYPE TC - for flush mounting



Type TC cabinets are designed especially for flush mounting in masonry as illustrated. They are ideal for installation in public view where an attractive box is desired. Lettering can be cast in door to indicate interior equipment or name of governmental authority. Lead gasket fits on underside of the trim and is cut full to allow for caulking and trimming. These cabinets are utilized as pull boxes and as enclosures for cutouts, signal equipment, emergency lighting switches, relays, time switches, etc.

### Standard Construction:

1. Cast iron box, trim and door
2. Hot-dip galvanized finish
3. Neoprene internal gasket and lead-caulking gasket

### At Additional Cost: (See page 15-18)

1. Slip holes or drilled and tapped holes
2. Bosses to provide five full threads
3. Interior mounting buttons, blind tapped
4. Mounting plate
5. Letters cast on the door as specified
6. Tamper-proof hinge connection, brass cylinder lock and 2 keys  
(Specify if lock with allen head wrench is desired instead)

For ordering instructions, see pages 15-18

IRON TRIM & DOOR CATALOG NUMBER	INSIDE DIMENSIONS INCHES L. x W. x D.	APRX WALL THICK. INCHES	APRX WEIGHT LBS.
TC 060604	6 x 6 x 4	1/4	27
TC 060606	6 x 6 x 6	1/4	30
TC 080804	8 x 8 x 4	1/4	45
TC 080806	8 x 8 x 6	1/4	50
TC 080808	8 x 8 x 8	1/4	70
TC 101004	10 x 10 x 4	1/4	67
TC 101006	10 x 10 x 6	1/4	75
TC 101008	10 x 10 x 8	1/4	80
TC 121204	12 x 12 x 4	5/16	80
TC 121206	12 x 12 x 6	5/16	88
TC 121208	12 x 12 x 8	3/8	105
TC 121210	12 x 12 x 10	3/8	125
TC 121212	12 x 12 x 12	3/8	135
TC 141404	14 x 14 x 4	5/16	100
TC 141406	14 x 14 x 6	5/16	108
TC 141408	14 x 14 x 8	3/8	125
TC 141410	14 x 14 x 10	3/8	135
TC 141412	14 x 14 x 12	3/8	147
TC 161606	16 x 16 x 6	5/16	125

IRON TRIM & DOOR CATALOG NUMBER	INSIDE DIMENSIONS INCHES L. x W. x D.	APRX WALL THICK. INCHES	APRX WEIGHT LBS.
TC 161608	16 x 16 x 8	5/16	140
TC 161612	16 x 16 x 12	3/8	190
TC 161616	16 x 16 x 16	3/8	230
TC 181204	18 x 12 x 4	3/8	117
TC 181206	18 x 12 x 6	3/8	125
TC 181208	18 x 12 x 8	3/8	135
TC 181210	18 x 12 x 10	3/8	150
TC 181212	18 x 12 x 12	3/8	175
TC 181806	18 x 18 x 6	3/8	155
TC 181808	18 x 18 x 8	3/8	170
TC 181810	18 x 18 x 10	3/8	200
TC 181812	18 x 18 x 12	3/8	210
TC 242406	24 x 24 x 6	3/8	240
TC 242408	24 x 24 x 8	3/8	265
TC 242410	24 x 24 x 10	3/8	320
TC 242412	24 x 24 x 12	3/8	360
TC 242416	24 x 24 x 16	3/8	415
TC 301606	30 x 16 x 6	3/8	280
TC 422412	42 x 24 x 12	7/16	700