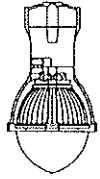
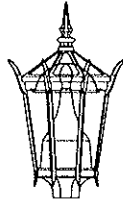


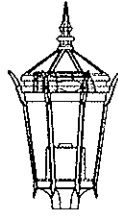
Visual Index for Luminaire Section LiteShield



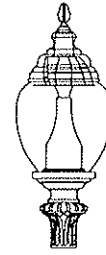
Columbia - Pg. 1
LMCLB-VC3 / 5



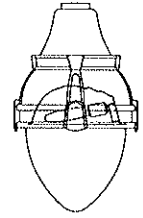
Edgewater Vertical - Pg. 3
LMEDM-VC3 / 5



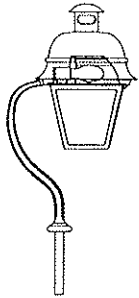
Edgewater Horiz. - Pg. 5
LMEDM-HC3 / 5



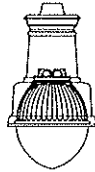
Washington - Pg. 7
LMWSH-VC3 / 5



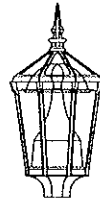
Benjamine Franklin - Pg. 9
LMBFP-HC3



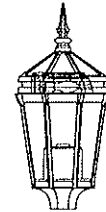
Franklin Gooseneck - Pg. 11
LMFRK-HC3



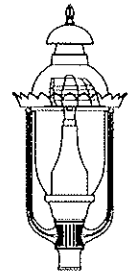
Manchester - Pg. 13
LMMNS-VC3 / 5



William & Mary Vertical - Pg. 15
LMWMM-VC3 / 5



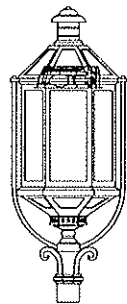
William & Mary Horiz. - Pg. 17
LMWMM-HC3 / 5



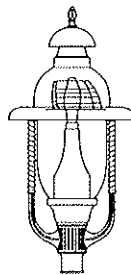
Borough - Pg. 19
LMBRH-VC3/5 or HC3/5



Bishop's Crook - Pg. 21
LMBCC-VC3 / 5



MBNA - Pg. 23
LMMBN-HC3 / 5



Quality Hill - Pg. 25
LMQLT-VC3 / 5 or HC3 / 5



Costa Mesa Sr. - Pg. 27
LMCSL-HC3 / 5

TABLE OF CONTENTS

LiteShield

| <u>PAGE</u> | <u>STYLE</u> | <u>CATALOG NUMBER</u> |
|-------------|---------------------------------------|--------------------------|
| LS 1 | Columbia Luminaire | LMBCLB-VC3 / 5 |
| LS 3 | Edgewater Vertical Luminaire | LMEDM-VC3 / 5 |
| LS 5 | Edgewater Horizontal Luminaire | LMEDM-HC3 / 5 |
| LS 7 | Washington Luminaire | LMWSH-VC3 / 5 |
| LS 9 | Benjamin Franklin Luminaire | LMBFP-HC3 |
| LS 11 | Franklin Gooseneck Luminaire | LMFRK-HC3 |
| LS 13 | Manchester Luminaire | LMMNS-VC3 / 5 |
| LS 15 | William & Mary Vertical Luminaire | LMWMM-VC3 / 5 |
| LS 17 | William and Mary Horizontal Luminaire | LMWMM-HC3 / 5 |
| LS 19 | Borough Luminaire | LMBRH-VC3 / 5 or HC3 / 5 |
| LS 21 | Bishop's Crook Luminaire | LMBCC-VC3 / 5 |
| LS 23 | MBNA Luminaire | LMMBN-HC3 / 5 |
| LS 25 | Quality Hill Luminaire | LMQLT-VC3 / 5 or HC3 / 5 |
| LS 27 | Costa Mesa Sr. Luminaire | LMCSL-HC3 / 5 |
| LS 29 | Independence Luminaire | LMIND-HC3 |

LiteShield Reflector Systems...

LiteShield is Spring City's trade name for a product line of Cutoff luminaires using reflector systems designed to meet IES* defined requirements for light control. The LiteShield line is optimized to prevent light trespass and to reduce nightglow.

The reflector systems are available in both vertical and horizontal lamp applications and in both type III and V distributions.

These reflector systems can be applied in several different styles of luminaires including post top globes; post top caged luminaires as well as some pendent luminaire designs. For more information regarding these products or IES information consult your local sales representative or the factory.

* Illuminating Engineering Society of North America

120 Wall Street, Floor 17
New York, NY 10005
212-248-5000
fax: 212-248-5017/18
email: iesna@iesna.org

International Dark-Sky Association

3225 North First Avenue
Tucson, Arizona 85719
520-203-3198
fax: 520-203-3192
email: ida@darksky.org

**Columbia LiteShield Vertical Cut-off
Luminaire**

Catalog No.: LMCLB-VC3 / 5

S p e c i f i c a t i o n s

Description

The Columbia LiteShield vertical cut-off luminaire shall consist of a cast decorative housing, globe and a specular reflector system. The luminaire is designed to meet or exceed the cut-off requirements as defined in IES RP-8-00. The luminaire is available in a type III or V distribution.

Dimensions

The luminaire's overall dimensions are as shown. The height of the main body of the luminaire itself, less globe is 1'-10.38".

Material

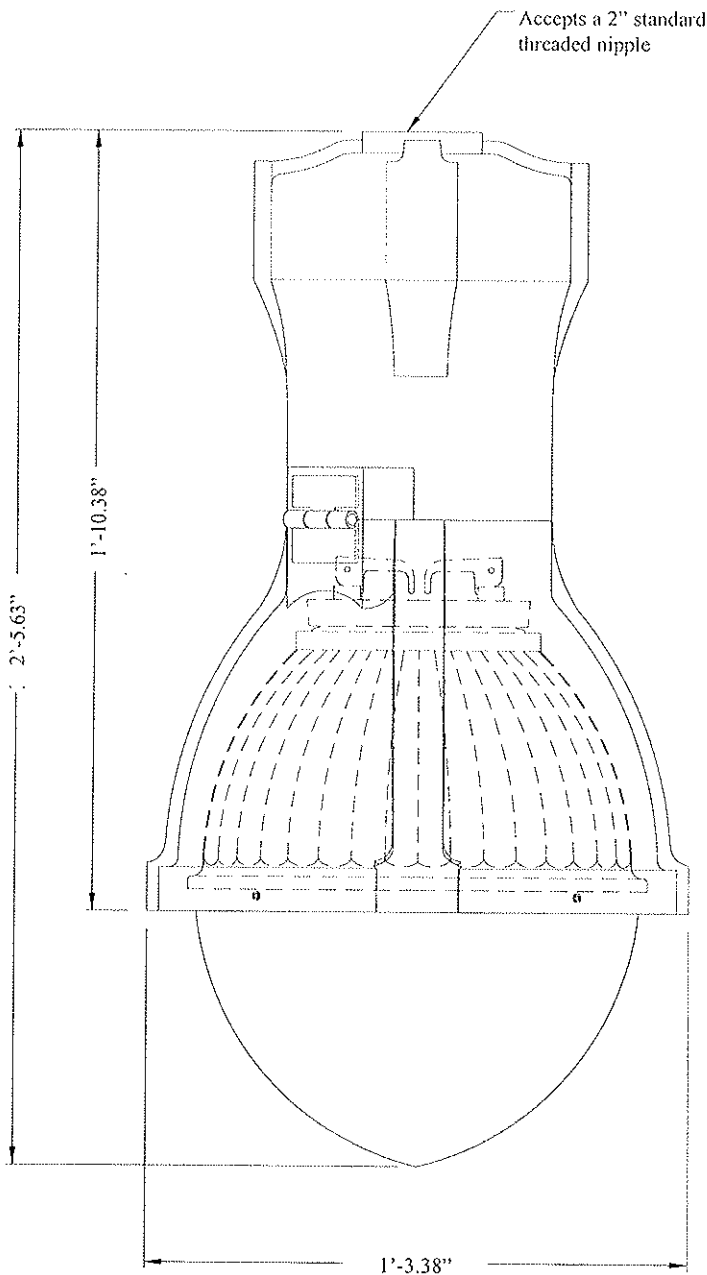
The luminaire material is heavy wall cast aluminum per A.S.T.M. B26, Alloy SR356. The luminaire is supplied with either a 4KV porcelain medium or mogul base socket. All hardware is stainless steel. All components are UL listed.

Light Source

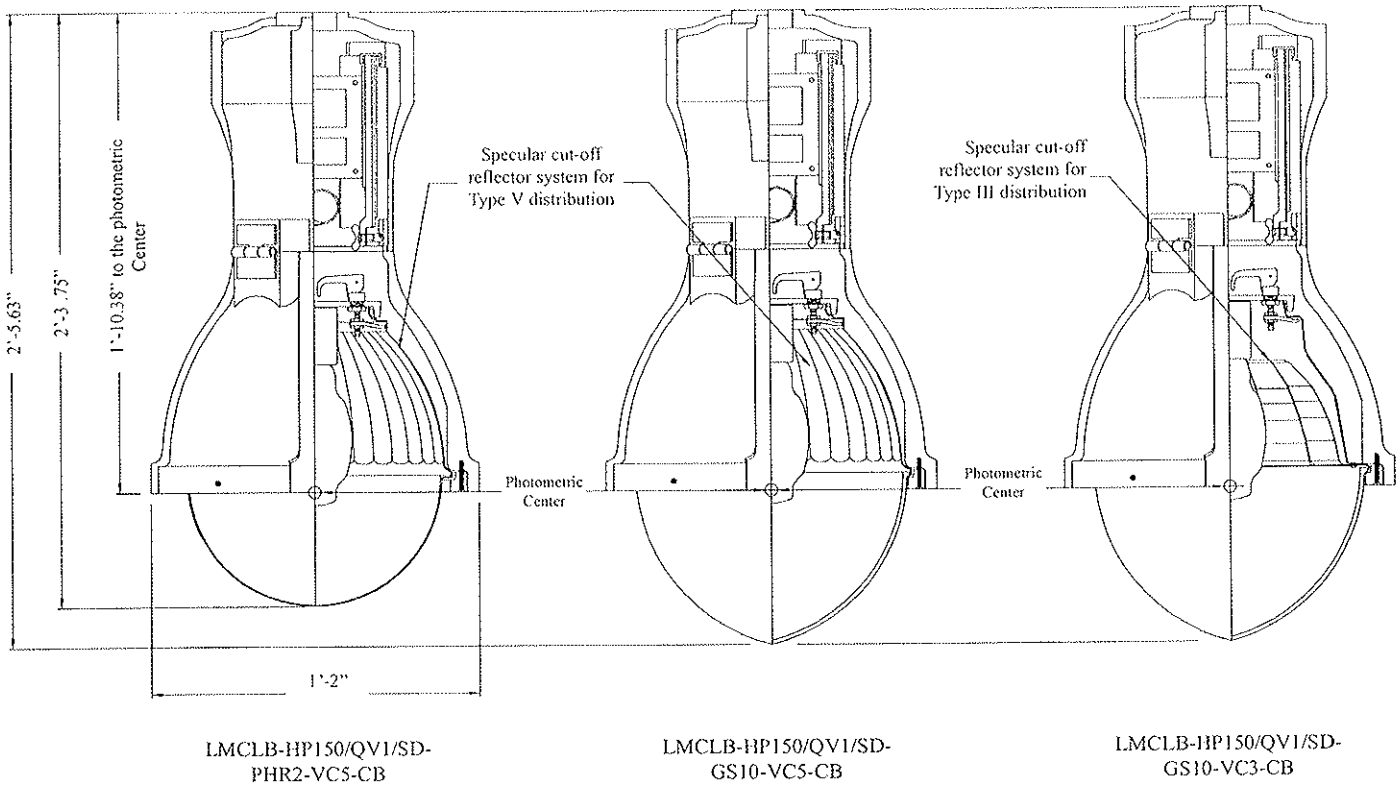
Luminaires are UL listed for wet location and are furnished as required with a High Intensity Discharge ballast. The ballasts are high power factor core and coil type and are available in a wide range of sources and voltages. See the following page for the most common.

Installation

The luminaires are designed to attach to a threaded nipple and are secured to the nipple using stainless steel set screws. Standard threaded nipple size for this luminaire is 2". Consult factory for other threaded nipple sizes.



SPRING CITY ELECTRICAL MFG. CO., INC.
Hall & Main Streets, P. O. Box 19
Spring City, PA 19475-0019
Phone: 610-948-4000 Fax: 610-948-5577
Website: www.springcity.com



LMCLB-HP150/QV1/SD-PHR2-VC5-CB

LMCLB-HP150/QV1/SD-GS10-VC5-CB

LMCLB-HP150/QV1/SD-GS10-VC3-CB

| | | | | | | | | | | |
|----------------|--|---------|-------|------------------|-----------|---------|----------|---|------------------------|------------|
| Ordering Guide | Material | Product | Style | - Source Wattage | / Ballast | Voltage | / Socket | -Globe | - Reflectors | - Coatings |
| | A | LM | CLB | - MH100 | / Q | V1 | / SD | - GS10 | - VC3 | - CB |
| | Aluminum Luminaire Columbia - 100 Watt Metal Halide / Quadravolt 120 Volts / Medium base | | | | | | | - Glass Stippled - Vertical Cut-off/III | - Classic Black Finish | |

Material Product Style-
 _____ ALMCLB- Cast Aluminum Luminaire Columbia

Source
 _____ HP (High Pressure Sodium) _____ IN (Incandescent)
 _____ MH (Metal Halide) _____ MV (Mercury Vapor) _____ XX (Modifier)

Wattage
 _____ 050/ (50 Watts) _____ 070/ (70 Watts) _____ 075/ (75 Watts)
 _____ 100/ (100 Watts) _____ 150/ (150 Watts) _____ 175/ (175 Watts)
 _____ 200/ (200 Watts) _____ 250/ (250 Watts) _____ 400/ (400 Watts)

Ballast Type
 _____ S Single Voltage _____ D Dual Voltage 120/240
 _____ T Two Voltage 120/277 _____ Q 120/208/240/277 Quad Voltage


Voltage
 _____ V1/ 120 Volts _____ V8/ 208 Volts _____ V2/ 240Volts
 _____ V7/ 277 Volts _____ V4/ 480 Volts _____ V0/ Unwired

Globe
 _____ GS10 - Glass Stippled
 _____ PHR2 - Polycarbonate Half Round 12"
 _____ XXX - Modifier

Reflectors
 _____ VC3- Vertical Cut off / III _____ VC5- Vertical Cut off / V

Coatings
 _____ UF Unfinished _____ PO Prime Painted only
 _____ CB Classic Black Finish _____ BG Bottle Green Finish
 _____ DB Dark Bronze Finish _____ GI Grey Iron Finish
 _____ LB Long Beach Blue Finish _____ VG Verde Green Finish
 _____ CU Custom Powder Finish _____ CW Custom Wet Finish

Sockets
 _____ SD- Medium Base _____ SM- Mogul Base



SPRING CITY ELECTRICAL MFG. CO., INC.
 Hall & Main Streets, P. O. Box 19
 Spring City, PA 19475-0019
 Phone: 610-948-4000 Fax: 610-948-5577
 Website: www.springcity.com

Page: LS 2

Specifications

Description

The Edgewater LiteShield vertical cut-off luminaire shall consist of a cast decorative base, cage, roof and finial, clear panels, and a two-piece specular reflector system. The luminaire is designed to meet or exceed the cut-off requirements as defined in IES RP8-00. The luminaire is available in a type III or V distribution.

Dimensions

The luminaire's overall dimensions are as shown. The height varies depending on finial options.

Material

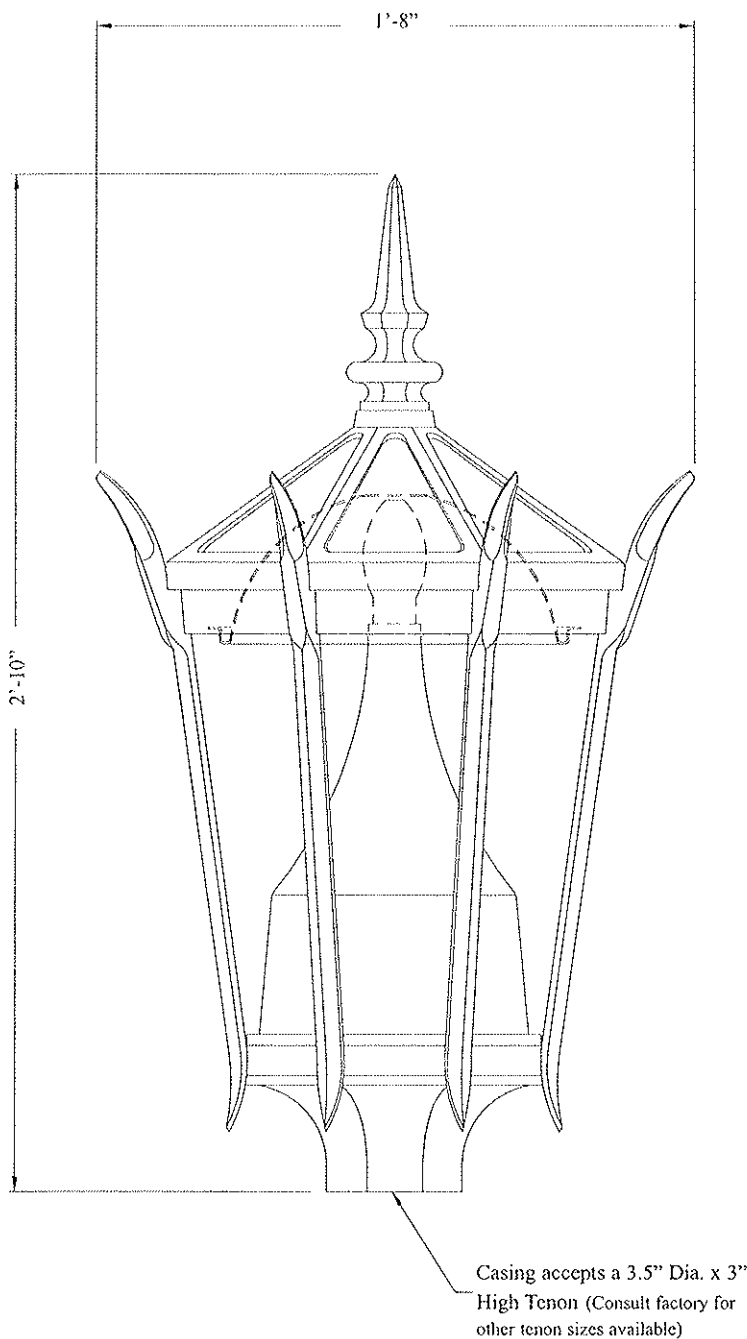
The luminaire material is heavy wall cast aluminum per A.S.T.M. B26, Alloy SR356. The luminaire is supplied with a 4KV porcelain medium base socket. All hardware is stainless steel. All components are UL listed.

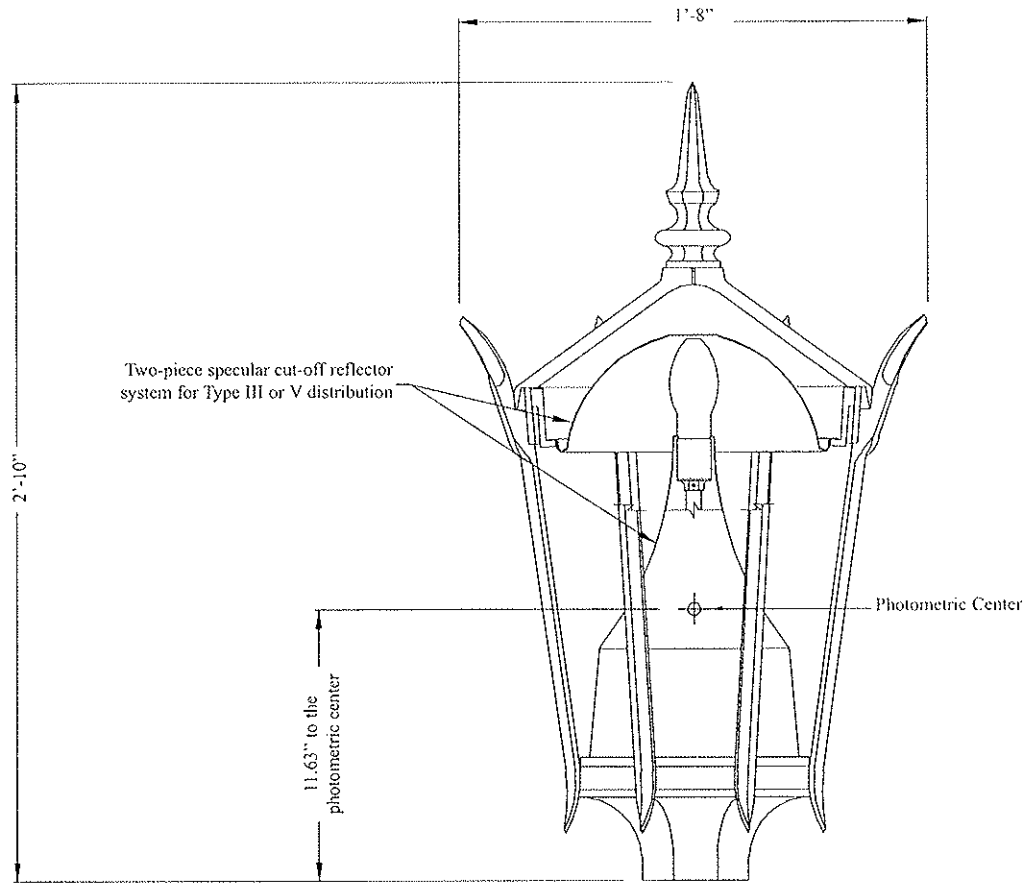
Light Source

Luminaires are UL listed for wet location and are furnished as required with a High Intensity Discharge ballast. The ballasts are high power factor core and coil type and are available in a wide range of sources and voltages. See the following page for the most common.

Installation

The luminaires are designed to mount over a tenon and are secured to the tenon using several stainless steel set screws. Standard tenon size for this luminaire is 3.5" Dia. x 3" High. Consult factory for other tenon sizes.





LMEDM-HP150/QV1/SD-
PPLO-VC3-FED-CB

| | | | | | | | | | | | | |
|----------------|--|---------|-------|----------|---------|-----------|---------|----------|----------|--------------|----------|------------|
| Ordering Guide | Material | Product | Style | - Source | Wattage | / Ballast | Voltage | / Socket | - Panels | - Reflectors | - Finial | - Coatings |
| | A | LM | EDM | - MH | 100 | / Q | V1 | / SD | - PPLO | - VC3 | - FED | - CB |
| | Aluminum Luminaire Edgewater- 100 Watt Metal Halide/ Quadravolt120 Volts /Medium base -Clear Poly. Panels - Vertical Cut-off/III - Stand. Finial -Classic Black Finish | | | | | | | | | | | |

Material Product Style-

- _____ ALMEDS- Cast Aluminum Luminaire Edgewater-Small (Small fitter accepts a 2 7/8" dia. x 3" high tenon)
- _____ ALMEDM- Cast Aluminum Luminaire Edgewater-Medium (Medium fitter accepts a 3 1/2" dia. x 3" high tenon)
- _____ ALMEDL- Cast Aluminum Luminaire Edgewater-Large (Large fitter accepts a 7" dia. x 3/4" high tenon)

Source

- _____ HP (High Pressure Sodium) _____ IN (Incandescent)
- _____ MH (Metal Halide) _____ MV (Mercury Vapor) _____ XX (Modifier)

Wattage

- _____ 050/ (50 Watts) _____ 070/ (70 Watts) _____ 075/ (75 Watts) _____ 100/ (100 Watts)
- _____ 150/ (150 Watts) _____ 175/ (175 Watts)

Ballast Type

- _____ S Single Voltage _____ D Dual Voltage 120/240
- _____ T Two Voltage 120/277 _____ Q 120/208/240/277 Quad Voltage

Voltage

- _____ V1/ 120 Volts _____ V8/ 208 Volts _____ V2/ 240Volts
- _____ V7/ 277 Volts _____ V4/ 480 Volts _____ V0/ Unwired

Sockets

- _____ SD- Medium Base

Panels

- _____ PPLO - Polycarbonate Clear Panel
- _____ YPLO - Acrylic Clear Panel
- _____ XXX - Modifier

Reflectors

- _____ VC3- Vertical Cut off / III _____ VC5- Vertical Cut off / V

Finials

- _____ FED- Standard Edgewater Finial _____ FGV- Grandview Finial
- _____ XX- Modifier

Modifications

- _____ BT- Button type photo control

Coatings

- _____ UF Unfinished _____ PO Prime Painted only
- _____ CB Classic Black Finish _____ BG Bottle Green Finish
- _____ DB Dark Bronze Finish _____ GI Grey Iron Finish
- _____ LB Long Beach Blue Finish _____ VG Verde Green Finish
- _____ CU Custom Powder Finish _____ CW Custom Wet Finish



SPRING CITY ELECTRICAL MFG. CO., INC.
Hall & Main Streets, P. O. Box 19
Spring City, PA 19475-0019
Phone: 610-948-4000 Fax: 610-948-5577
Website: www.springcity.com

Specifications

Description

The Edgewater LiteShield horizontal cut-off luminaire shall consist of a cast decorative base, cage, roof and finial, clear panels, and a specular reflector system. The luminaire is designed to meet or exceed the cut-off requirements as defined in IES RP8-00. The luminaire is available in a type III or V distribution.

Dimensions

The luminaire's overall dimensions are as shown. The height varies depending on finial options.

Material

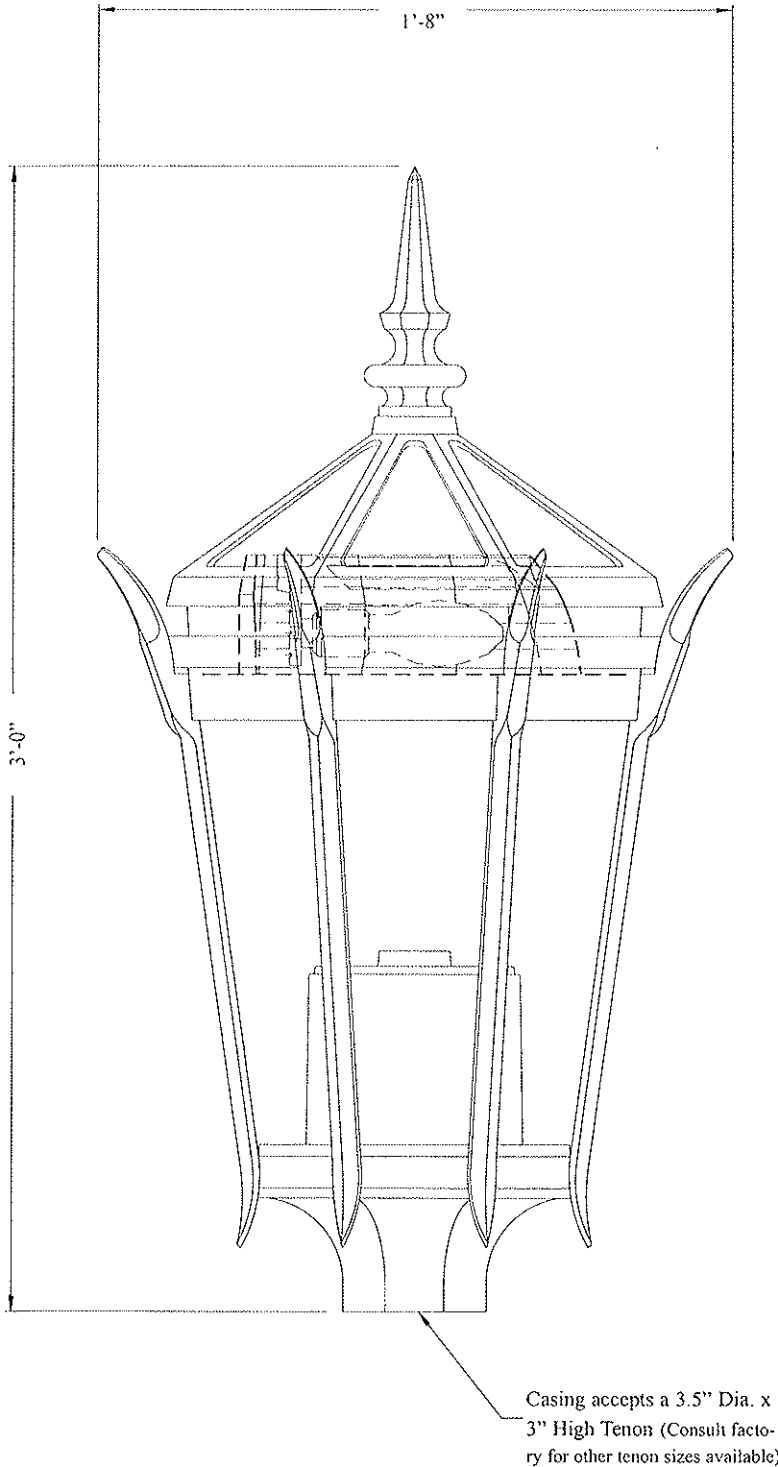
The luminaire material is heavy wall cast aluminum per A.S.T.M. B26, Alloy SR356. The luminaire is supplied with a 4KV porcelain medium base socket. All hardware is stainless steel. All components are UL listed.

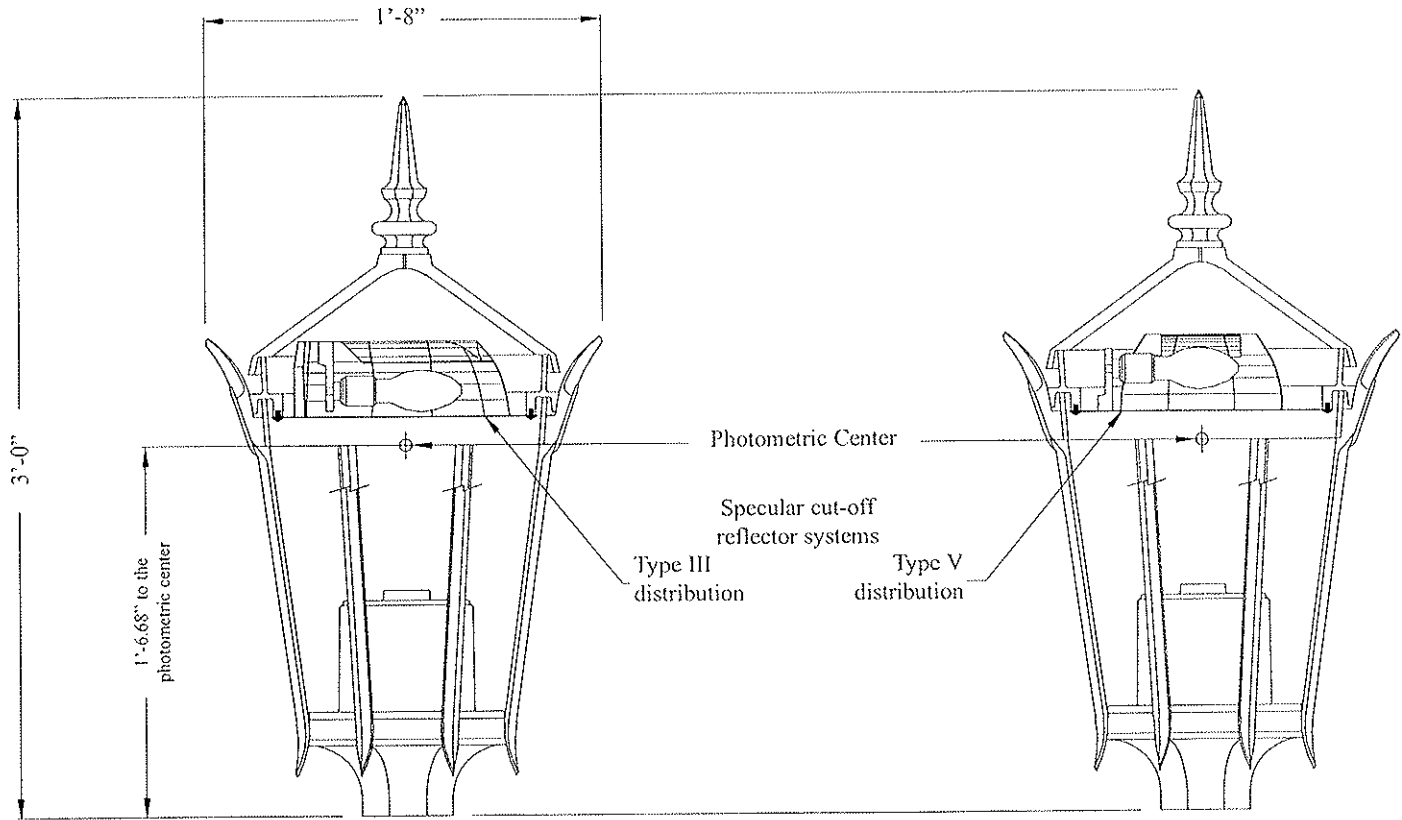
Light Source

Luminaires are UL listed for wet location and are furnished as required with a High Intensity Discharge ballast. The ballasts are high power factor core and coil type and are available in a wide range of sources and voltages. See the following page for the most common.

Installation

The luminaires are designed to mount over a tenon and are secured to the tenon using several stainless steel set screws. Standard tenon size for this luminaire is 3.5" Dia. x 3" High. Consult factory for other tenon sizes.





LMEDM-HP150/QV1/SD-
PPLO-HC3-FED-CB

LMEDM-HP150/QV1/SD-
PPLO-HC5-FED-CB

| Ordering Guide | Material | Product | Style | Source | Wattage | Ballast | Voltage | Socket | Panels | Reflectors | Finial | Coatings |
|----------------|---|---------|-------|--------|---------|---------|---------|--------|--------|------------|--------|----------|
| | A | LM | EDM | MH | 100 | Q | V1 | SD | PPLO | HC3 | FED | CB |
| | Aluminum Luminaire Edgewater -100 Watt Metal Halide/ Quadravolt 120 Volts /Medium base -Clear Poly. Panels - Horizontal Cut-off/III - Stand. Finial -Classic Black Finish | | | | | | | | | | | |

Material Product Style-

- ___ ALMEDS- Cast Aluminum Luminaire Edgewater-Small (Small fitter accepts a 2 7/8" dia. x 3" high tenon)
- ___ ALMEDM- Cast Aluminum Luminaire Edgewater-Medium (Medium fitter accepts a 3 1/2" dia. x 3" high tenon)
- ___ ALMEDL- Cast Aluminum Luminaire Edgewater-Large (Large fitter accepts a 7" dia. x 3/4" high tenon)

Source

- ___ HP (High Pressure Sodium) ___ IN (Incandescent)
- ___ MH (Metal Halide) ___ MV (Mercury Vapor) ___ XX (Modifier)

Wattage

- ___ 050/ (50 Watts) ___ 070/ 70 Watts) ___ 075/ (75 Watts) ___ 100/ (100 Watts)
- ___ 150/ (150 Watts) ___ 175/ (175 Watts)

Ballast Type

- ___ S Single Voltage ___ D Dual Voltage 120/240
- ___ T Two Voltage 120/277 ___ Q 120/208/240/277 Quad Voltage

Voltage

- ___ V1/ 120 Volts ___ V8/ 208 Volts ___ V2/ 240Volts
- ___ V7/ 277 Volts ___ V4/ 480 Volts ___ VO/ Unwired

Sockets

- ___ SD- Medium Base

Panels

- ___ PPLO - Polycarbonate Clear Panel
- ___ YPLO - Acrylic Clear Panel
- ___ XXX - Modifier

Reflectors

- ___ HC3- Horizontal Cut off/III ___ HC5- Horizontal Cut off/V

Finials

- ___ FED- Standard Edgewater Finial ___ FGV- Grandview Finial
- ___ XX- Modifier

Modifications

- ___ BT- Button type photo control

Coatings

- ___ UF Unfinished ___ PO Prime Painted only
- ___ CB Classic Black Finish ___ BG Bottle Green Finish
- ___ DB Dark Bronze Finish ___ G I Grey Iron Finish
- ___ LB Long Beach Blue Finish ___ VG Verde Green Finish
- ___ CU Custom Powder Finish ___ CW Custom Wet Finish



SPRING CITY ELECTRICAL MFG. CO., INC.
 Hall & Main Streets, P. O. Box 19
 Spring City, PA 19475-0019
 Phone: 610-948-4000 Fax: 610-948-5577
 Website: www.springcity.com

**Washington LiteShield Vertical / Horizontal
Cut-off Luminaire**

Catalog No.: LMWSH-VC3 / 5

Specifications

Description

The Washington LiteShield vertical / horizontal cut-off luminaire shall consist of a cast decorative casing, clear stippled polycarbonate globe, ornamental aluminum roof with a cast finial and a two-piece specular reflector system. The luminaire is designed to meet or exceed the cut-off requirements as defined in IES RP8-00. The luminaire is available in a type III or V distribution.

Dimensions

The luminaire's overall dimensions are as shown. The height of the casing itself is 1'-1.25".

Material

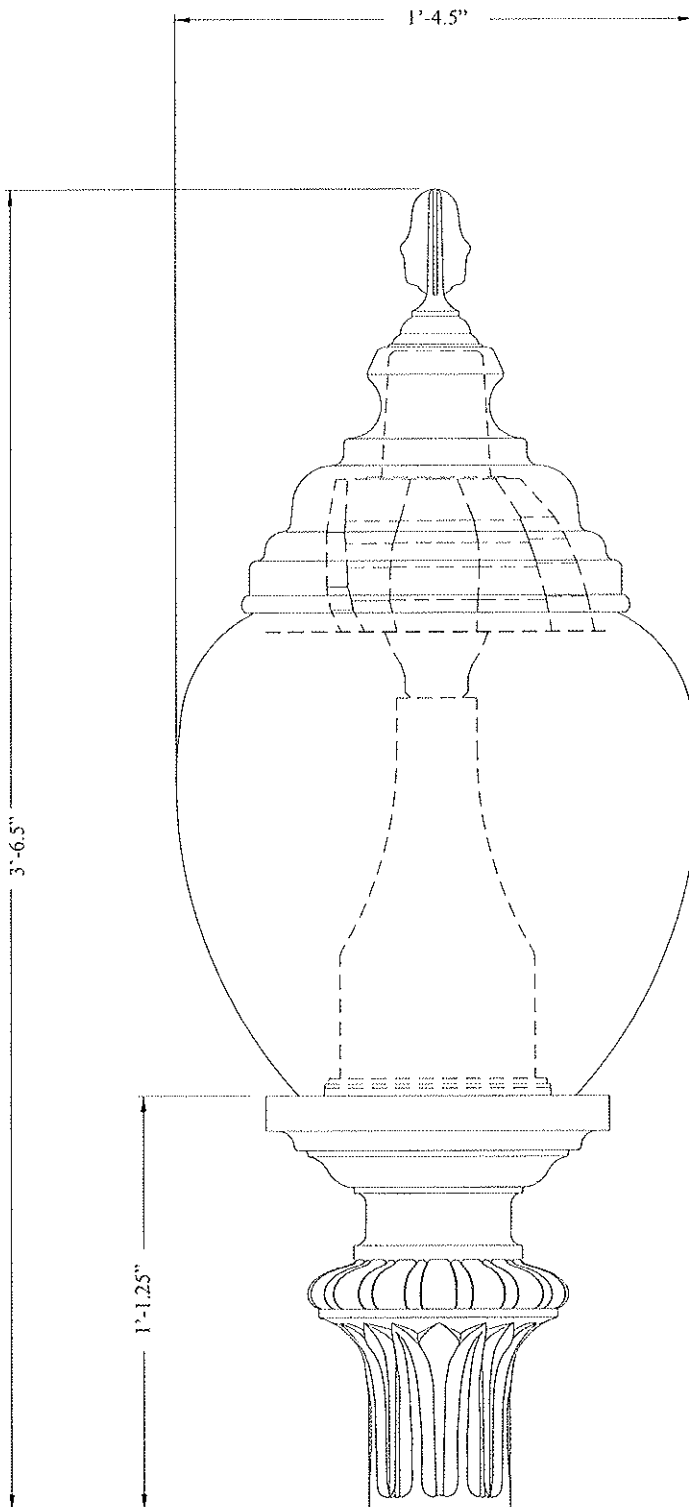
The luminaire material is heavy wall cast aluminum per A.S.T.M. B26, Alloy SR356. The luminaire is supplied with either a 4KV porcelain medium or mogul base socket. All hardware is stainless steel. All components are UL listed.

Light Source

Luminaires are UL listed for wet location and are furnished as required with a High Intensity Discharge ballast. The ballasts are high power factor core and coil type and are available in a wide range of sources and voltages. See the following page for the most common.

Installation

The luminaires are designed to mount over a tenon and are secured to the tenon using several stainless steel set screws. Standard tenon size for this luminaire is 3.5" Dia. x 3" High. Consult factory for other tenon sizes.



Casing accepts a 3.5"
Dia. x 3" High Tenon
(Consult factory for other
tenon sizes available)



SPRING CITY ELECTRICAL MFG. CO., INC.

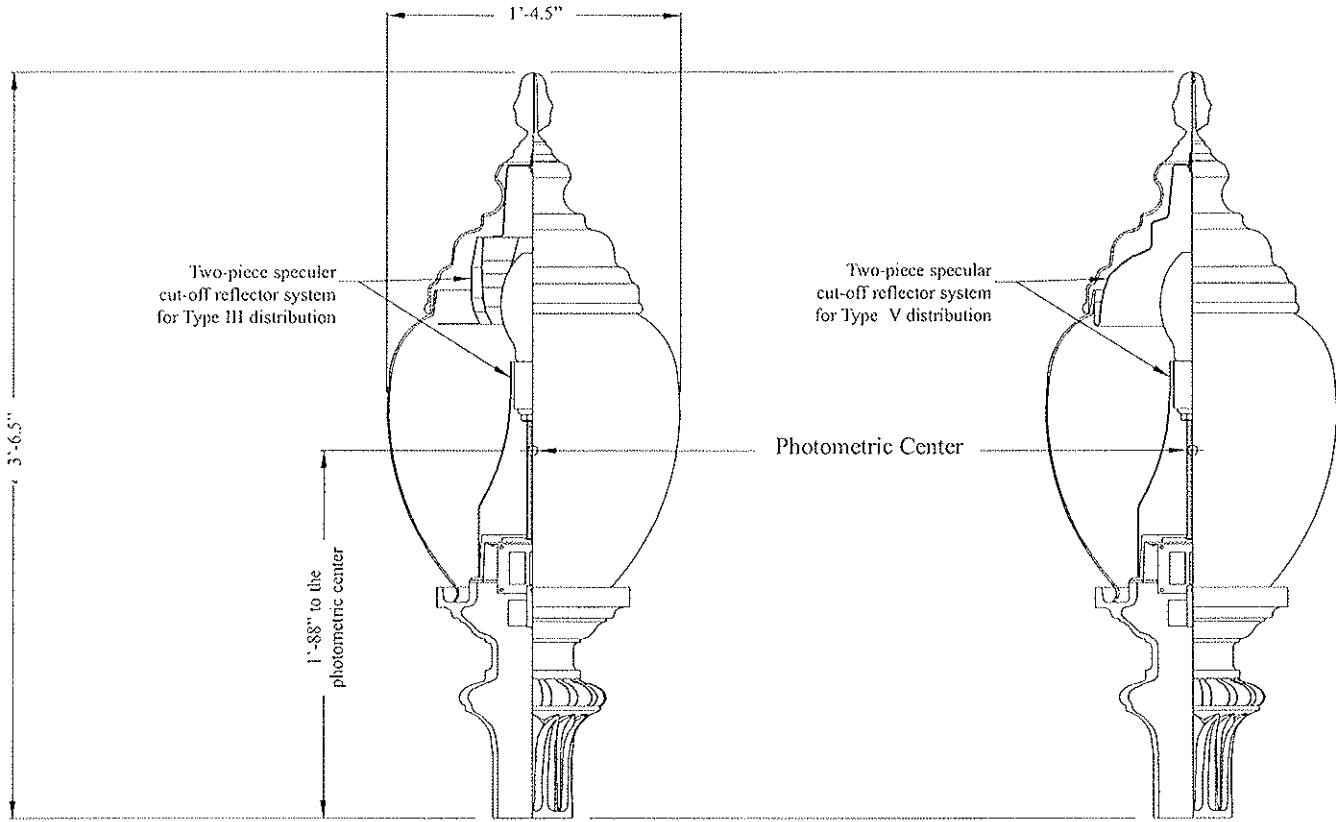
Hall & Main Streets, P. O. Box 19

Spring City, PA 19475-0019

Phone: 610-948-4000 Fax: 610-948-5577

Website: www.springcity.com

Page: LS 7



LMWSH-HP150/QV1/SD-
PS11-VC3-FA-AS-CB

LMWSH-HP250/QV1/SM-
PS11-VC5-FA-AS-CB

| Ordering Guide | Material | Product | Style | Source | Wattage | Ballast | Voltage | Socket | Globe | Reflectors | Finial | Modification | Coatings |
|----------------|--------------------|------------|------------------------|------------|-------------|-------------|------------------------|------------------------|-------------------|--------------|------------------------|--------------|----------|
| | A | LM | WSH | - MH100 | / Q | VI | / SD | - PS11 | - VC3 | - FA | - AS | - CB | |
| | Aluminum Luminaire | Washington | 100 Watt Metal Halide/ | Quadravolt | 120 Volts / | Medium base | - Clear Stippled Poly. | - Vertical Cut-off/III | - 110 Cast Finial | - Armory Sq. | - Classic Black Finish | | |

Material Product Style-

___ ALMWSH- Cast Aluminum Luminaire Washington
___ ILMWSH- Cast Iron Luminaire Washington

Source

___ HP (High Pressure Sodium) ___ IN (Incandescent)
___ MH (Metal Halide) ___ MV (Mercury Vapor) ___ XX (Modifier)

Wattage

___ 050/ (50 Watts) ___ 070/ (70 Watts) ___ 075/ (75 Watts) ___ 100/ (100 Watts)
___ 150/ (150 Watts) ___ 175/ (175 Watts) ___ 200/ (200 Watts) ___ 250/ (250 Watts)

Ballast Type

___ S Single Voltage ___ D Dual Voltage 120/240
___ T Two Voltage 120/277 ___ Q 120/208/240/277 Quad Voltage

Voltage

___ V1/ 120 Volts ___ V8/ 208 Volts ___ V2/ 240Volts
___ V7/ 277 Volts ___ V4/ 480 Volts ___ VO/ Unwired

Sockets

___ SD- Medium Base ___ SM- Mogul Base

Globe

___ PS11 - Clear Stippled Polycarbonate
___ XXX - Modifier

Reflectors

___ VC3- Vertical Cut off / III ___ VC5- Vertical Cut off / V

Finials (Required)

___ FPP- 110 Polycarbonate Finial ___ FPA- 110 Cast Aluminum Finial
___ FPB- 110 Cast Brass Finial ___ FSB- Small Brass Finial
___ FEE- Eagle Finial ___ FG3- GL30 Finial

Modifications

___ AS- Armory Square Spun top (Required)
___ BT- Button type photo control

Coatings

___ UF Unfinished ___ PO Prime Painted only
___ CB Classic Black Finish ___ BG Bottle Green Finish
___ DB Dark Bronze Finish ___ GI Grey Iron Finish
___ LB Long Beach Blue Finish ___ VG Verde Green Finish
___ CU Custom Powder Finish ___ CW Custom Wet Finish



SPRING CITY ELECTRICAL MFG. CO., INC.

Hall & Main Streets, P. O. Box 19

Spring City, PA 19475-0019

Phone: 610-948-4000 Fax: 610-948-5577

Website: www.springcity.com

Specifications

Description

The Benjamin Franklin Parkway LiteShield horizontal cut-off luminaire shall consist of a cast decorative housing, globe and a specular reflector system. It is also available in a horizontal full cut-off, which has all the same components except the globe is replaced with a flat panel. The luminaire is designed to meet or exceed the cut-off and full cut-off requirements as defined in IES RP-8-00. The luminaire is available in a type III distribution.

Dimensions

The luminaire's overall dimensions are as shown. The height of the main body of the luminaire itself, less globe is 1'-10.4".

Material

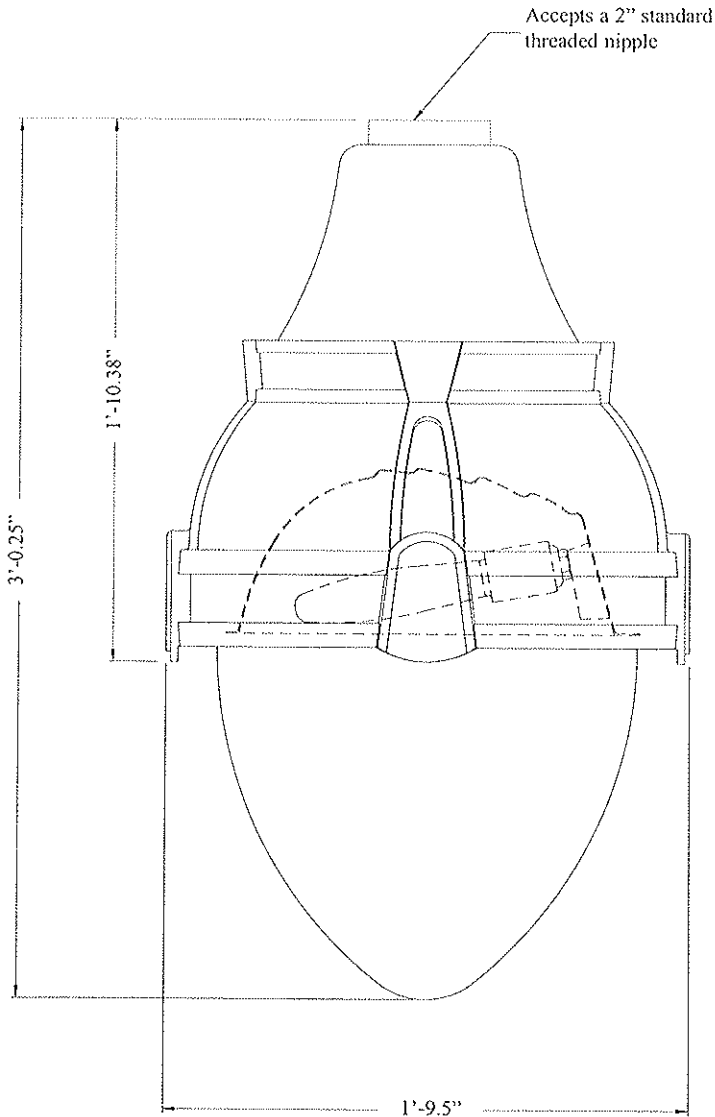
The luminaire material is heavy wall cast aluminum per A.S.T.M. B26, Alloy SR356. The luminaire is supplied with either a 4KV porcelain medium or mogul base socket. All hardware is stainless steel. All components are UL listed.

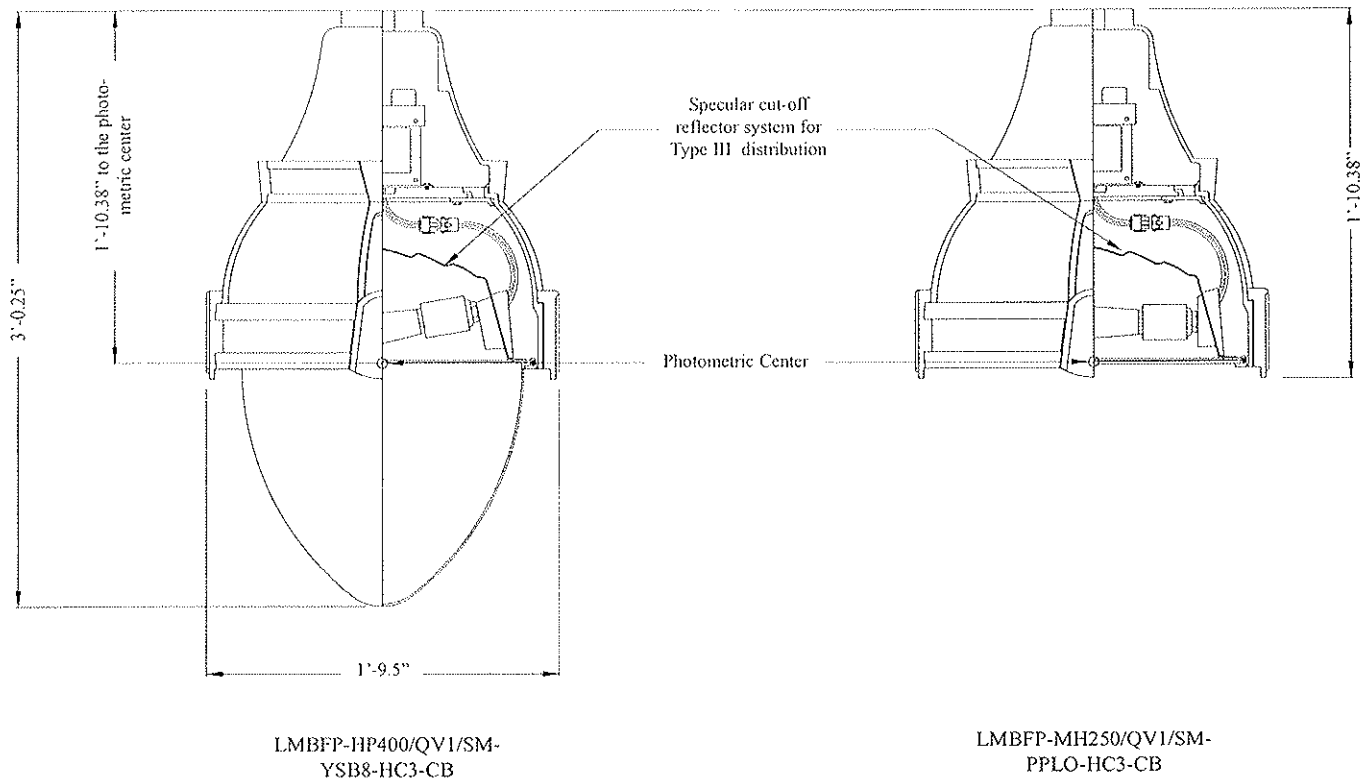
Light Source

Luminaires are UL listed for wet location and are furnished as required with a High Intensity Discharge ballast. The ballasts are high power factor core and coil type and are available in a wide range of sources and voltages. See the following page for the most common.

Installation

The luminaires are designed to attach to a threaded nipple and are secured to the nipple using stainless steel set screws. Standard threaded nipple size for this luminaire is 2". Consult factory for other threaded nipple sizes.





| Ordering Guide | Material | Product | Style | - Source Wattage | / Ballast | Voltage | / Socket | -Globe | - Reflectors | - Coatings |
|----------------|---|---------|-------|------------------|-----------|---------|----------|--------|--------------|------------|
| | A | LM | BFP | - MH250 | / Q | V1 | / SM | - YSB8 | - HC3 | - CB |
| | Aluminum Luminaire Ben Franklin - 250 Watt Metal Halide/ Quadravolt 120 Volts /Mogul base - Acrylic Stippled Bullet - Horizontal Cut-off/III - Classic Black Finish | | | | | | | | | |

Material Product Style-
 _____ ALMBFP- Cast Aluminum Luminaire Benjamin Franklin Parkway-

Source
 _____ HP (High Pressure Sodium) _____ IN (Incandescent)
 _____ MH (Metal Halide) _____ MV (Mercury Vapor) _____ XX (Modifier)

Wattage
 _____ 050/ (50 Watts) _____ 070/ 70 Watts) _____ 075/ (75 Watts)
 _____ 100/ (100 Watts) _____ 150/ (150 Watts) _____ 175/ (175 Watts)
 _____ 200/ (200 Watts) _____ 250/ (250 Watts) _____ 400/ (400 Watts)

Ballast Type
 _____ S Single Voltage _____ D Dual Voltage 120/240
 _____ T Two Voltage 120/277 _____ Q 120/208/240/277 Quad Voltage

Voltage
 _____ V1/ 120 Volts _____ V8/ 208 Volts _____ V2/ 240Volts
 _____ V7/ 277 Volts _____ V4/ 480 Volts _____ VO/ Unwired

Sockets
 _____ SD- Medium Base _____ SM- Mogul Base

Globe
 _____ YSB8 - Acrylic Stippled Bullet 18" (for Cut-off)
 _____ PPLO - Polycarbonate Clear Panel (for Full Cut-off)
 _____ YPLO - Acrylic Clear Panel (for Full Cut-off)
 _____ XXX - Modifier

Reflectors
 _____ HC3- Horizontal Cut-off / III

Coatings
 _____ UF Unfinished _____ PO Prime Painted only
 _____ CB Classic Black Finish _____ BG Bottle Green Finish
 _____ DB Dark Bronze Finish _____ G I Grey Iron Finish
 _____ LB Long Beach Blue Finish _____ VG Verde Green Finish
 _____ CU Custom Powder Finish _____ CW Custom Wet Finish

Franklin Goose-neck LiteShield Horizontal Cut-off Luminaire

Catalog No.: LMFRK-HC3

Specifications

Description

The Franklin Goose-neck LiteShield horizontal cut-off luminaire shall consist of a cast decorative base, cage, roof and finial, clear panels, and a specular reflector system. The luminaire is designed to meet or exceed the cut-off requirements as defined in IES RP-8-00. The luminaire is available in a type III distribution.

Dimensions

The luminaire's overall dimensions are as shown. The height varies depending on finial options.

Material

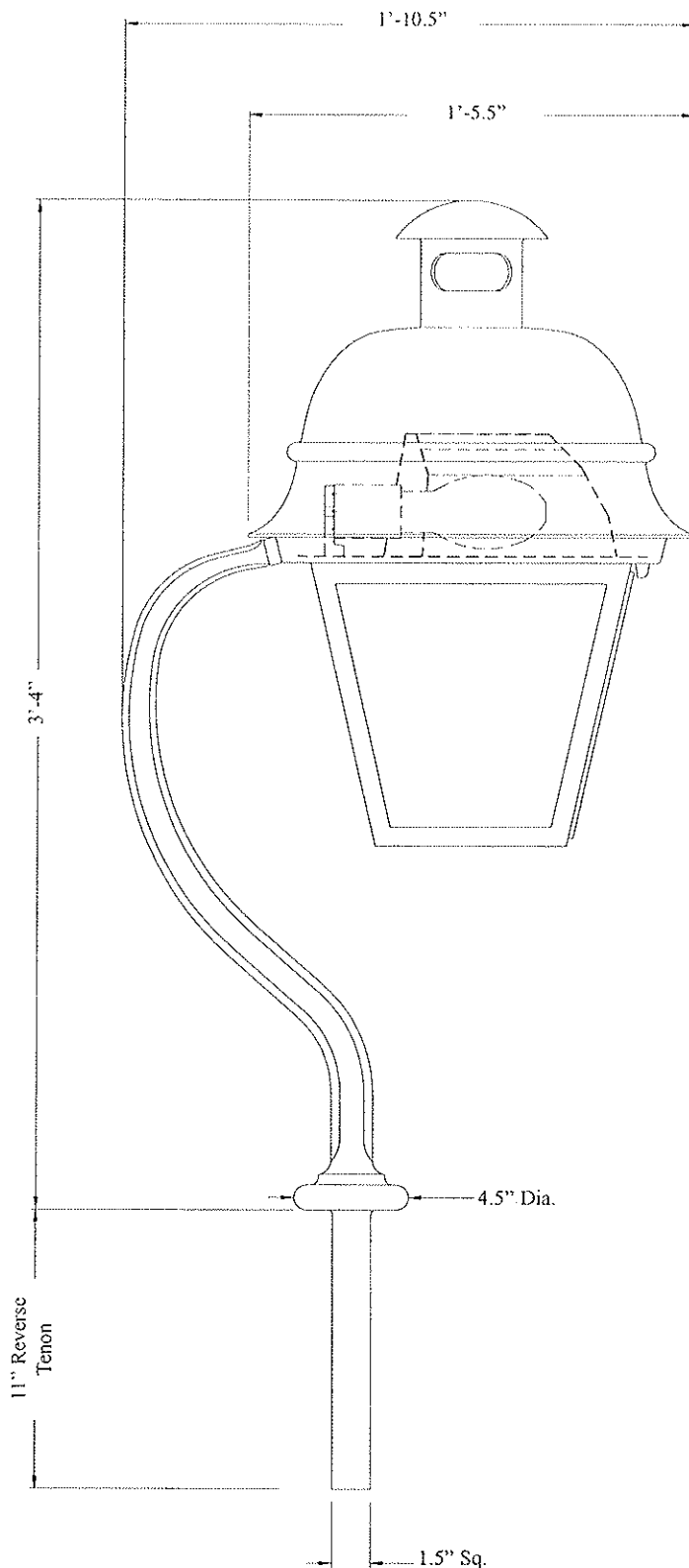
The luminaire material is heavy wall cast aluminum per A.S.T.M. B26, Alloy SR356. The luminaire is supplied with either a 4KV porcelain medium or mogul base socket. All hardware is stainless steel. All components are UL listed.

Light Source

Luminaires are UL listed for wet location and are furnished as required with a High Intensity Discharge ballast. The ballasts are high power factor core and coil type and are available in a wide range of sources and voltages. See the following page for the most common.

Installation

This luminaire is supplied with a reverse tenon as shown. Secured to the tenon using several stainless steel set screws. Consult factory for other tenon sizes.



SPRING CITY ELECTRICAL MFG. CO., INC.

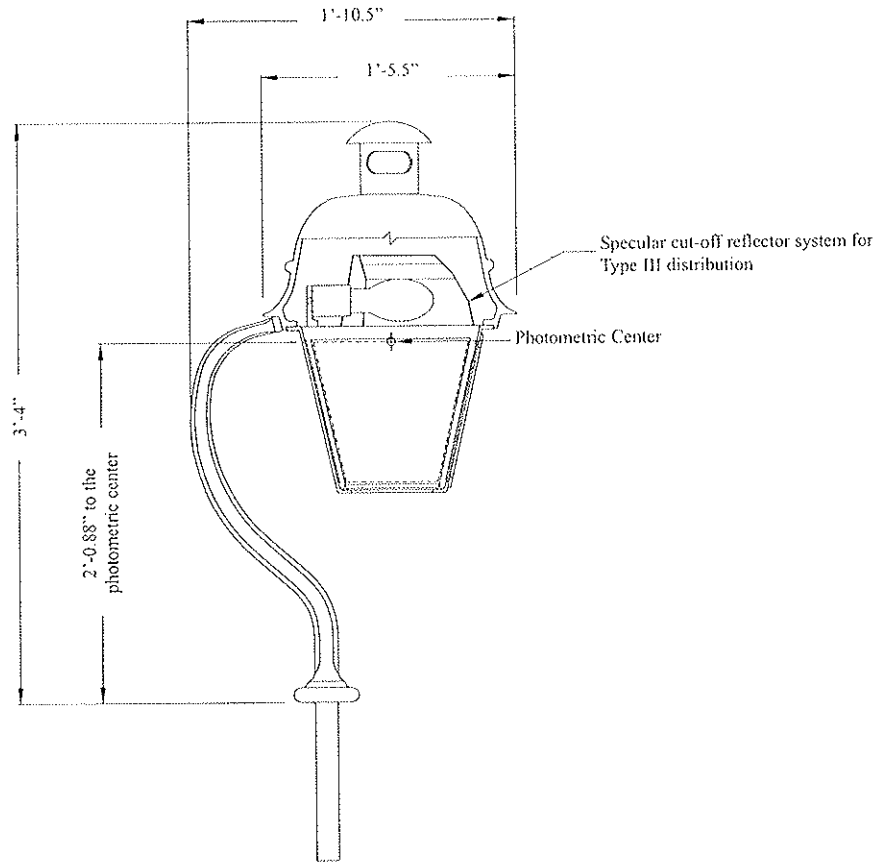
Hall & Main Streets, P. O. Box 19

Spring City, PA 19475-0019

Phone: 610-948-4000 Fax: 610-948-5577

Website: www.springcity.com

Page: LS 11



LMFRK-MH175/QV1/SD-
PPLO-HC3-FRG-CB

| | | | | | | | | | | | |
|----------------|-----------------------------|---------|-------|--|-----------|---------|----------|--|--------------|----------|------------|
| Ordering Guide | Material | Product | Style | - Source Wattage | / Ballast | Voltage | / Socket | - Panels | - Reflectors | - Finial | - Coatings |
| | A | LM | FRK | - MH100 | / Q | V1 | / SD | - PPLO | - HC3 | - FRG | - CB |
| | Aluminum Luminaire Franklin | | | - 100 Watt Metal Halide/ Quadravolt 120 Volts /Medium base | | | | - Clear Poly. Panels - Horizontal Cut-off/III - Stand. Finial - Classic Black Finish | | | |

Material Product Style-
 _____ ALMFRK- Cast Aluminum Luminaire Franklin Gooseneck-

Source
 _____ HP (High Pressure Sodium) _____ IN (Incandescent)
 _____ MH (Metal Halide) _____ MV (Mercury Vapor) _____ XX (Modifier)

Wattage
 _____ 050/ (50 Watts) _____ 070/ 70 Watts) _____ 075/ (75 Watts) _____ 100/ (100 Watts)
 _____ 150/ (150 Watts) _____ 175/ (175 Watts)

Ballast Type
 _____ S Single Voltage _____ D Dual Voltage 120/240
 _____ T Two Voltage 120/277 _____ Q 120/208/240/277 Quad Voltage

Voltage
 _____ V1/ 120 Volts _____ V8/ 208 Volts _____ V2/ 240Volts
 _____ V7/ 277 Volts _____ V4/ 480 Volts _____ V0/ Unwired

Sockets
 _____ SD- Medium Base _____ SM- Mogul Base

Panels
 _____ PPLO - Polycarbonate Clear Panel
 _____ YPLO - Acrylic Clear Panel
 _____ XXX - Modifier

Reflectors
 _____ HC3- Horizontal Cut off/III

Finials
 _____ FRG- Standard Finial
 _____ XX- Modifier

Modifications
 _____ BT- Button type photo control
 _____ TT- Twist lock photo control

Coatings
 _____ UF Unfinished _____ PO Prime Painted only
 _____ CB Classic Black Finish _____ BG Bottle Green Finish
 _____ DB Dark Bronze Finish _____ G I Grey Iron Finish
 _____ LB Long Beach Blue Finish _____ VG Verde Green Finish
 _____ CU Custom Powder Finish _____ CW Custom Wet Finish



SPRING CITY ELECTRICAL MFG. CO., INC.
 Hall & Main Streets, P. O. Box 19
 Spring City, PA 19475-0019
 Phone: 610-948-4000 Fax: 610-948-5577
 Website: www.springcity.com

**Manchester LiteShield Vertical Cut-off
Luminaire**

Catalog No.: LMMNS-VC3 / 5

S p e c i f i c a t i o n s

Description

The Manchester LiteShield vertical cut-off luminaire shall consist of a cast decorative housing, globe and a specular reflector system. The luminaire is designed to meet or exceed the cut-off requirements as defined in IES RP-8-00. The luminaire is available in a type III or V distribution.

Dimensions

The luminaire's overall dimensions are as shown. The height of the main body of the luminaire itself, less globe is 1'-9.5".

Material

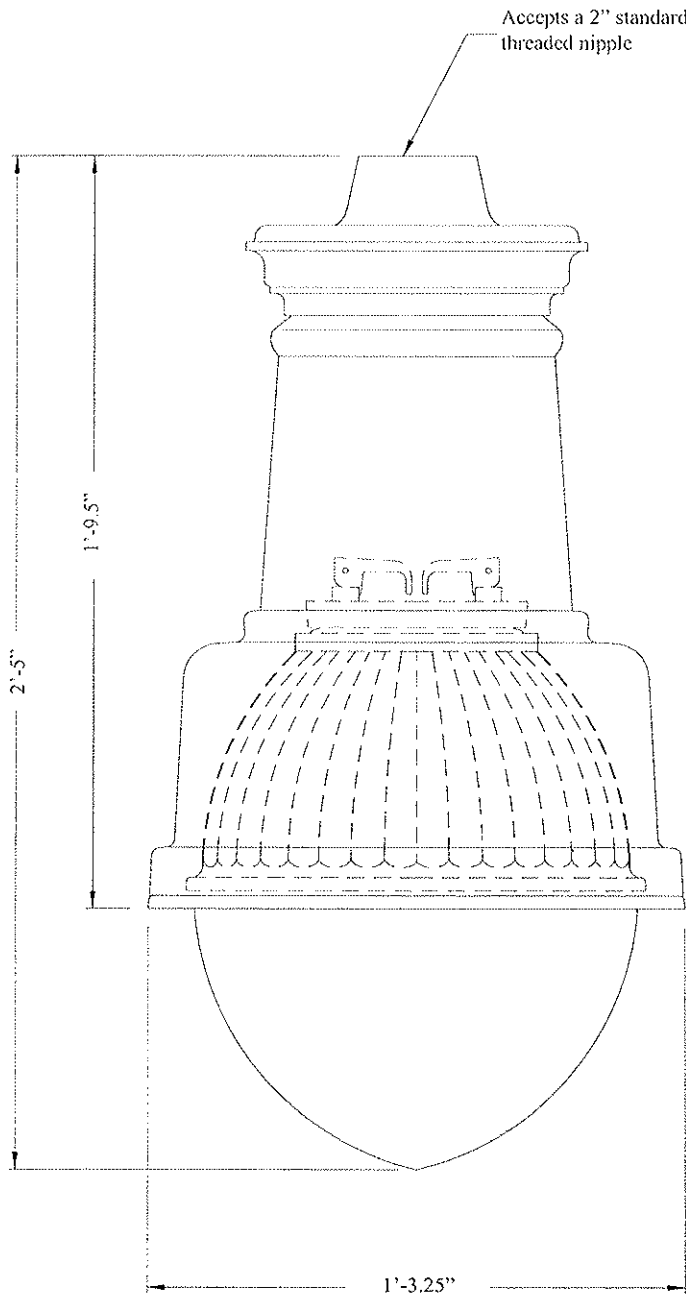
The luminaire material is heavy wall cast aluminum per A.S.T.M. B26, Alloy SR356. The luminaire is supplied with either a 4KV porcelain medium or mogul base socket. All hardware is stainless steel. All components are UL listed.

Light Source

Luminaires are UL listed for wet location and are furnished as required with a High Intensity Discharge ballast. The ballasts are high power factor core and coil type and are available in a wide range of sources and voltages. See the following page for the most common.

Installation

The luminaires are designed to attach to a threaded nipple and are secured to the nipple using stainless steel set screws. Standard threaded nipple size for this luminaire is 2". Consult factory for other threaded nipple sizes.



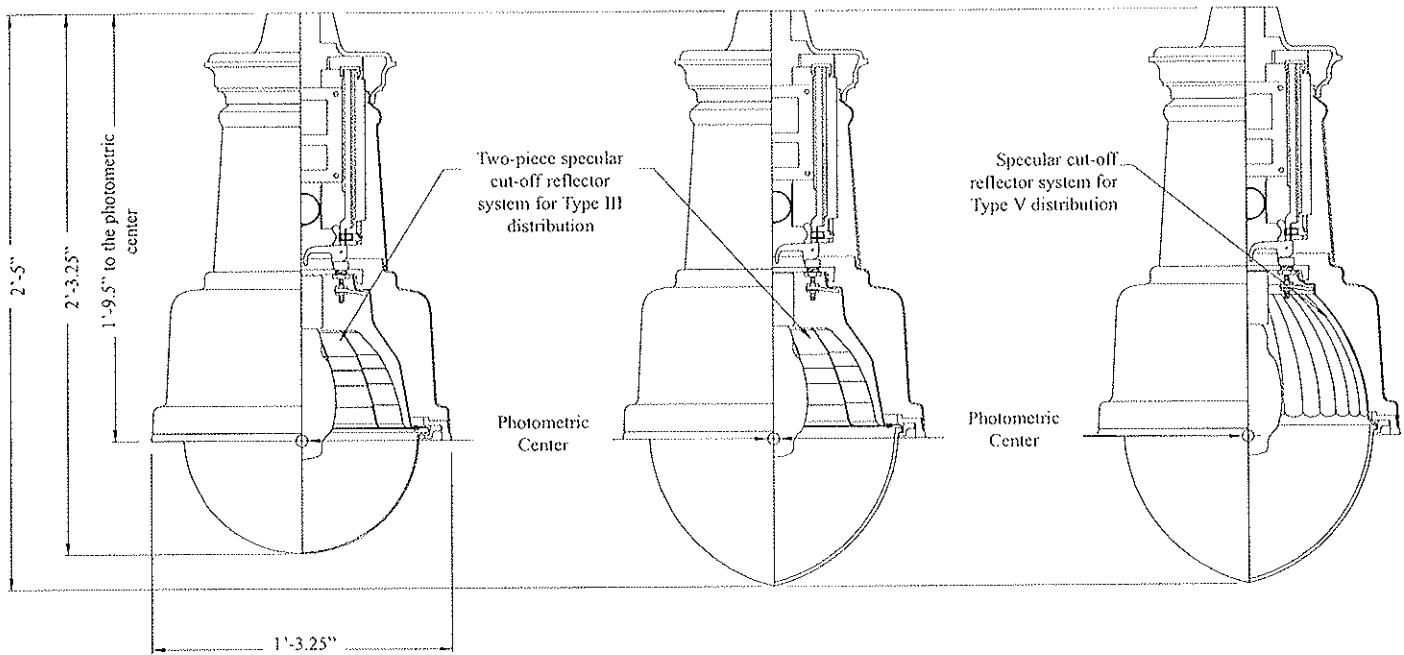
SPRING CITY ELECTRICAL MFG. CO., INC.

Hall & Main Streets, P. O. Box 19

Spring City, PA 19475-0019

Phone: 610-948-4000 Fax: 610-948-5577

Website: www.springcity.com



LMMNS-HP250/QV1/SM-
PHR2-VC3-CB

LMMNS-HP150/QV1/SD-
GS10-VC3-CB

LMMNS-MH175/QV1/SM-
GS10-VC5-CB

| | | | | | | | | | | | |
|----------------|---|---------|-------|----------|---------|-----------|---------|----------|--------|--------------|------------|
| Ordering Guide | Material | Product | Style | - Source | Wattage | / Ballast | Voltage | / Socket | -Globe | - Reflectors | - Coatings |
| | A | LM | MNS | - MH100 | / Q | V1 | / SD | - GS10 | - VC5 | - CB | |
| | Aluminum Luminaire Manchester- 100 Watt Metal Halide/ Quadravolt 120 Volts /Medium base - Glass Stippled - Vertical Cut-off/V -Classic Black Finish | | | | | | | | | | |

Material Product Style-
 _____ ALMMNS- Cast & Spun Aluminum Luminaire Manchester

Source
 _____ HP (High Pressure Sodium) _____ IN (Incandescent)
 _____ MH (Metal Halide) _____ MV (Mercury Vapor) _____ XX (Modifier)

Wattage
 _____ 050/ (50 Watts) _____ 070/ 70 Watts) _____ 075/ (75 Watts)
 _____ 100/ (100 Watts) _____ 150/ (150 Watts) _____ 175/ (175 Watts)
 _____ 200/ (200 Watts) _____ 250/ (250 Watts)

Ballast Type
 _____ S Single Voltage _____ D Dual Voltage120/240
 _____ T Two Voltage 120/277 _____ Q 120/208/240/277 Quad Voltage

Voltage
 _____ V1/ 120 Volts _____ V8/ 208 Volts _____ V2/ 240Volts
 _____ V7/ 277 Volts _____ V4/ 480 Volts _____ VO/ Unwired

Sockets
 _____ SD- Medium Base _____ SM- Mogul Base

Globe
 _____ GS10 - Glass Stippled
 _____ PHR2 - Polycarbonate Half Round 12"
 _____ XXX - Modifier

Reflectors
 _____ VC3- Vertical Cut off / III _____ VC5- Vertical Cut off / V

Coatings
 _____ UF Unfinished _____ PO Prime Painted only
 _____ CB Classic Black Finish _____ BG Bottle Green Finish
 _____ DB Dark Bronze Finish _____ G I Grey Iron Finish
 _____ LB Long Beach Blue Finish _____ VG Verde Green Finish
 _____ CU Custom Powder Finish _____ CW Custom Wet Finish



SPRING CITY ELECTRICAL MFG. CO., INC.
 Hall & Main Streets, P. O. Box 19
 Spring City, PA 19475-0019
 Phone: 610-948-4000 Fax: 610-948-5577
 Website: www.springcity.com

**William and Mary LiteShield Vertical
Cut-off Luminaire**

Catalog No.: LMWMM-VC3 / 5

Specifications

Description

The William and Mary LiteShield vertical cut-off luminaire shall consist of a cast decorative base, cage, roof and finial, clear panels, and a two-piece specular reflector system. The luminaire is designed to meet or exceed the cut-off requirements as defined in IES RP-8-00. The luminaire is available in a type III or V distribution.

Dimensions

The luminaire's overall dimensions are as shown. The height varies depending on finial options.

Material

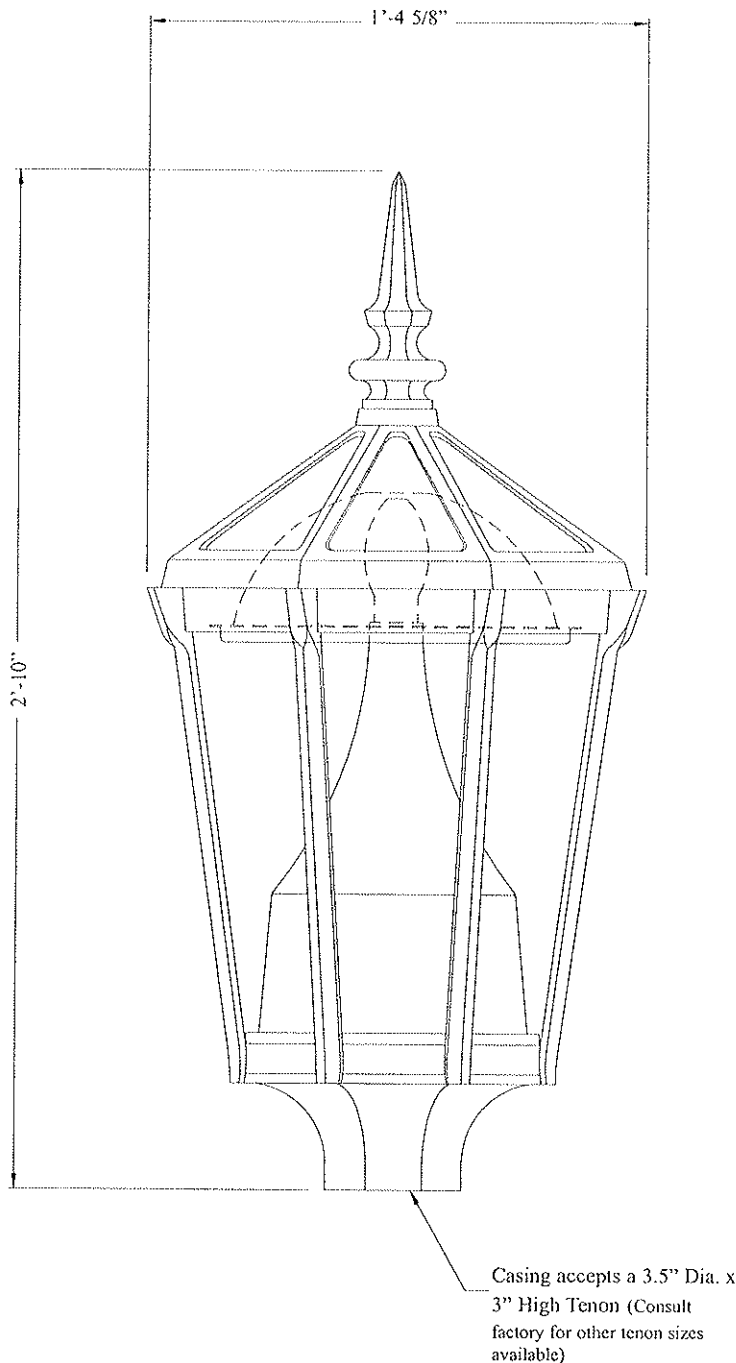
The luminaire material is heavy wall cast aluminum per A.S.T.M. B26, Alloy SR356. The luminaire is supplied with a 4KV porcelain medium base socket. All hardware is stainless steel. All components are UL listed.

Light Source

Luminaires are UL listed for wet location and are furnished as required with a High Intensity Discharge ballast. The ballasts are high power factor core and coil type and are available in a wide range of sources and voltages. See the following page for the most common.

Installation

The luminaires are designed to mount over a tenon and are secured to the tenon using several stainless steel screws. Standard tenon size for this luminaire is 3.5" Dia. x 3" High. Consult factory for other tenon sizes.



SPRING CITY ELECTRICAL MFG. CO., INC.

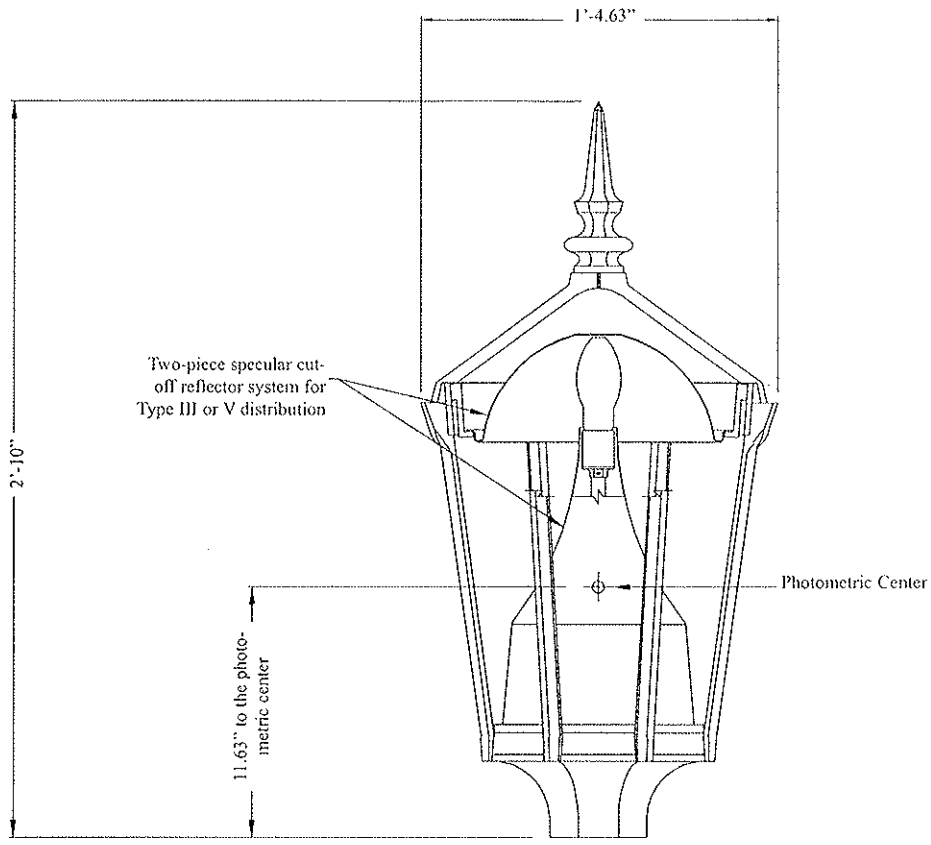
Hall & Main Streets, P. O. Box 19

Spring City, PA 19475-0019

Phone: 610-948-4000 Fax: 610-948-5577

Website: www.springcity.com

Page: LS 15



LMWMM-HP150/QV1/SD-
PPLO-VC3-FED-CB

| | | | | | | | | | | | |
|----------------|---|---------|-------|------------------|-----------|---------|----------|----------|--------------|---------|------------|
| Ordering Guide | Material | Product | Style | - Source Wattage | / Ballast | Voltage | / Socket | - Panels | - Reflectors | - Final | - Coatings |
| | A | LM | WMM | - MH100 | / Q | V1 | / SD | - PPLO | - VC3 | - FED | - CB |
| | Aluminum Luminaire William & Mary- 100 Watt Metal Halide/ Quadravolt 120 Volts /Medium base -Clear Poly. Panels - Vertical Cut-off/III - Stand. Final -Classic Black Finish | | | | | | | | | | |

Material Product Style-
 _____ ALMWMS- Cast Aluminum Luminaire William & Mary-Small (Small fitter accepts a 2 7/8" dia. x 3" h tenon)
 _____ ALMWMM- Cast Aluminum Luminaire William & Mary-Medium (Medium fitter accepts a 3 1/2" dia. x 3" h tenon)
 _____ ALMWML- Cast Aluminum Luminaire William & Mary-Large (Large fitter accepts a 7" dia. x 3/4" h tenon)

Source
 _____ HP (High Pressure Sodium) _____ IN (Incandescent)
 _____ MH (Metal Halide) _____ MV (Mercury Vapor) _____ XX (Modifier)

Wattage
 _____ 050/ (50 Watts) _____ 070/ 70 Watts) _____ 075/ (75 Watts) _____ 100/ (100 Watts)
 _____ 150/ (150 Watts) _____ 175/ (175 Watts)

Ballast Type
 _____ S Single Voltage _____ D Dual Voltage 120/240
 _____ T Two Voltage 120/277 _____ Q 120/208/240/277 Quad Voltage

Voltage
 _____ V1/ 120 Volts _____ V8/ 208 Volts _____ V2/ 240Volts
 _____ V7/ 277 Volts _____ V4/ 480 Volts _____ VO/ Unwired

Sockets
 _____ SD- Medium Base

Panels
 _____ PPLO - Polycarbonate Clear Panel
 _____ YPLO - Acrylic Clear Panel
 _____ XXX - Modifier

Reflectors
 _____ VC3- Vertical Cut off / III _____ VC5- Vertical Cut off / V

Finials
 _____ FED- Standard Edgewater Finial _____ FGV- Grandview Finial
 _____ XX- Modifier

Modifications
 _____ BT- Button type photo control

Coatings
 _____ UF Unfinished _____ PO Prime Painted only
 _____ CB Classic Black Finish _____ BG Bottle Green Finish
 _____ DB Dark Bronze Finish _____ G I Grey Iron Finish
 _____ LB Long Beach Blue Finish _____ VG Verde Green Finish
 _____ CU Custom Powder Finish _____ CW Custom Wet Finish

SPRING CITY ELECTRICAL MFG. CO., INC.
 Hall & Main Streets, P. O. Box 19
 Spring City, PA 19475-0019
 Phone: 610-948-4000 Fax: 610-948-5577
 Website: www.springcity.com

**William and Mary LiteShield Horizontal
Cut-off Luminaire**

Catalog No.: LMWMM-HC3 / 5

Specifications

Description

The William and Mary LiteShield horizontal cut-off luminaire shall consist of a cast decorative base, cage, roof and finial, clear panels, and a specular reflector system. The luminaire is designed to meet or exceed the cut-off requirements as defined in IES RP-8-00. The luminaire is available in a type III or V distribution.

Dimensions

The luminaire's overall dimensions are as shown. The height varies depending on finial options.

Material

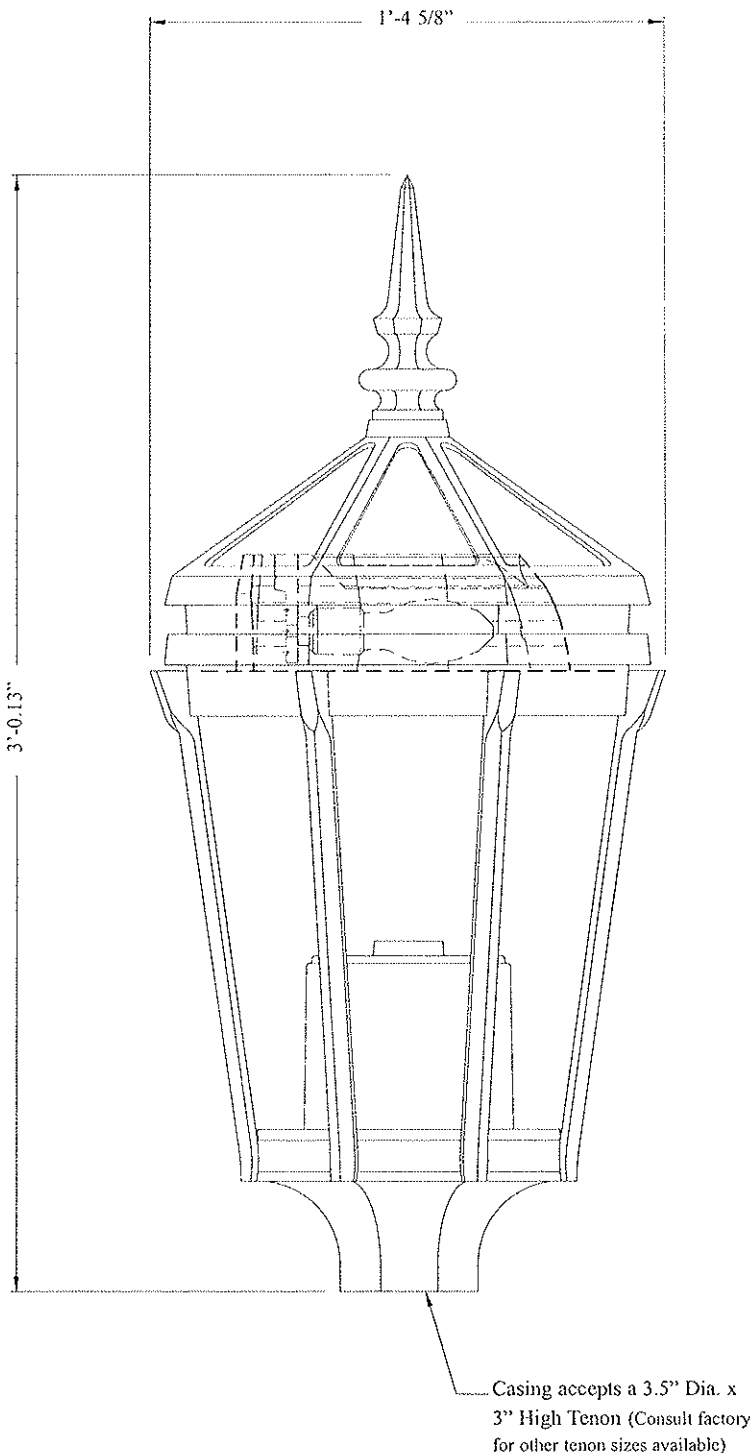
The luminaire material is heavy wall cast aluminum per A.S.T.M. B26, Alloy SR356. The luminaire is supplied with a porcelain medium base socket. All hardware is stainless steel. All components are UL listed.

Light Source

Luminaires are UL listed for wet location and are furnished as required with a High Intensity Discharge ballast. The ballasts are high power factor core and coil type and are available in a wide range of sources and voltages. See the following page for the most common.

Installation

The luminaires are designed to mount over a tenon and are secured to the tenon using several stainless steel set screws. Standard tenon size for this luminaire is 3.5" Dia. x 3" High. Consult factory for other tenon sizes.



SPRING CITY ELECTRICAL MFG. CO., INC.

Hall & Main Streets, P. O. Box 19

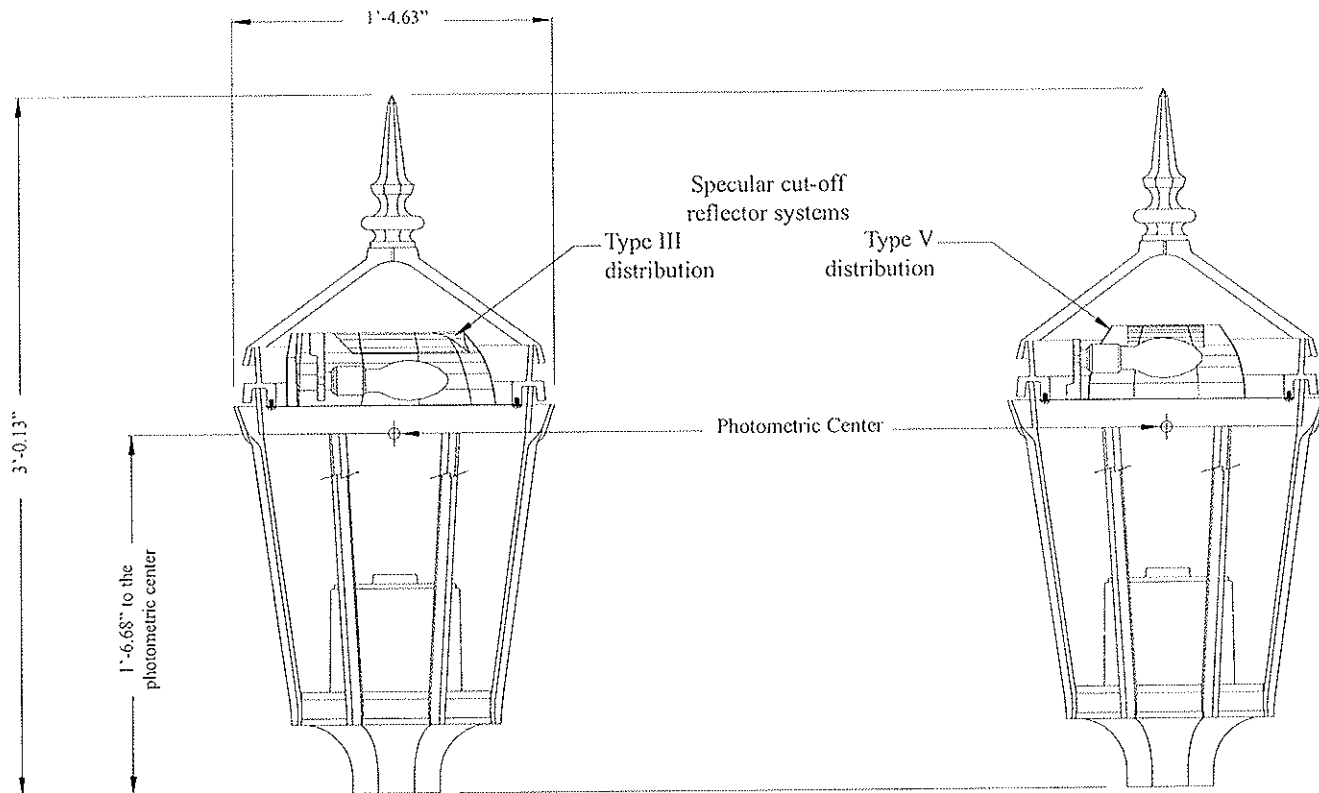
Spring City, PA 19475-0019

Phone: 610-948-4000 Fax: 610-948-5577

Website: www.springcity.com

SPRING CITY

Page: LS 17



LMWMM-MH175/QV1/SD-PPLO-
HC3-FED-CB

LMWMM-HP150/QV1/SD-PPLO-
HC5-FED-CB

| Ordering Guide | Material | Product | Style | Source | Wattage | Ballast | Voltage | Socket | Panels | Reflectors | Finial | Coatings |
|--|----------|---------|-------|---------|---------|---------|---------|--------|--------|------------|--------|----------|
| | A | LM | WMM | - MH100 | / Q | V1 | / SD | - PPLO | - HC3 | - FED | - CB | |
| Aluminum Luminaire William & Mary- 100 Watt Metal Halide/ Quadravolt 120 Volts /Medium base -Clear Poly. Panels - Horizontal Cut-off/III - Stand. Finial -Classic Black Finish | | | | | | | | | | | | |

Material Product Style-

- ___ ALMWMS- Cast Aluminum Luminaire William & Mary-Small (Small fitter accepts a 2 7/8" dia. x 3" high tenon)
- ___ ALMWMM- Cast Aluminum Luminaire William & Mary-Medium (Medium fitter accepts a 3 1/2" dia. x 3" high tenon)
- ___ ALMWML- Cast Aluminum Luminaire William & Mary-Large (Large fitter accepts a 7" dia. x 3/4" high tenon)

Source

- ___ HP (High Pressure Sodium) ___ IN (Incandescent)
- ___ MH (Metal Halide) ___ MV (Mercury Vapor) ___ XX (Modifier)

Wattage

- ___ 050/ (50 Watts) ___ 070/ (70 Watts) ___ 075/ (75 Watts) ___ 100/ (100 Watts)
- ___ 150/ (150 Watts) ___ 175/ (175 Watts)

Ballast Type

- ___ S Single Voltage ___ D Dual Voltage 120/240
- ___ T Two Voltage 120/277 ___ Q 120/208/240/277 Quad Voltage

Voltage

- ___ V1/ 120 Volts ___ V8/ 208 Volts ___ V2/ 240Volts
- ___ V7/ 277 Volts ___ V4/ 480 Volts ___ VO/ Unwired

Sockets

SD- Medium Base

Panels

- ___ PPLO - Polycarbonate Clear Panel
- ___ YPLO - Acrylic Clear Panel
- ___ XXX - Modifier

Reflectors

- ___ HC3- Horizontal Cut off/III ___ HC5- Horizontal Cut off/V

Finials

- ___ FED- Standard Edgewater Finial ___ FGV- Grandview Finial
- ___ XX- Modifier

Modifications

- ___ BT- Button type photo control

Coatings

- ___ UF Unfinished ___ PO Prime Painted only
- ___ CB Classic Black Finish ___ BG Bottle Green Finish
- ___ DB Dark Bronze Finish ___ G I Grey Iron Finish
- ___ LB Long Beach Blue Finish ___ VG Verde Green Finish
- ___ CU Custom Powder Finish ___ CW Custom Wet Finish



SPRING CITY ELECTRICAL MFG. CO., INC.
Hall & Main Streets, P. O. Box 19
Spring City, PA 19475-0019
Phone: 610-948-4000 Fax: 610-948-5577
Website: www.springcity.com

**Borough LiteShield Vertical / Horizontal
Cut-off Luminaire**

Catalog No.: LMBRH-VC3 / 5 or HC3 / 5

Specifications

Description

The Borough LiteShield vertical / horizontal cut-off luminaire shall consist of a cast decorative base, cage, roof and finial, clear panels, and a specular reflector system. The luminaire is designed to meet or exceed the cut-off requirements as defined in IES RP-8-00. The luminaire is available in a type III or V distribution.

Dimensions

The luminaire's overall dimensions are as shown. The height varies depending on finial options.

Material

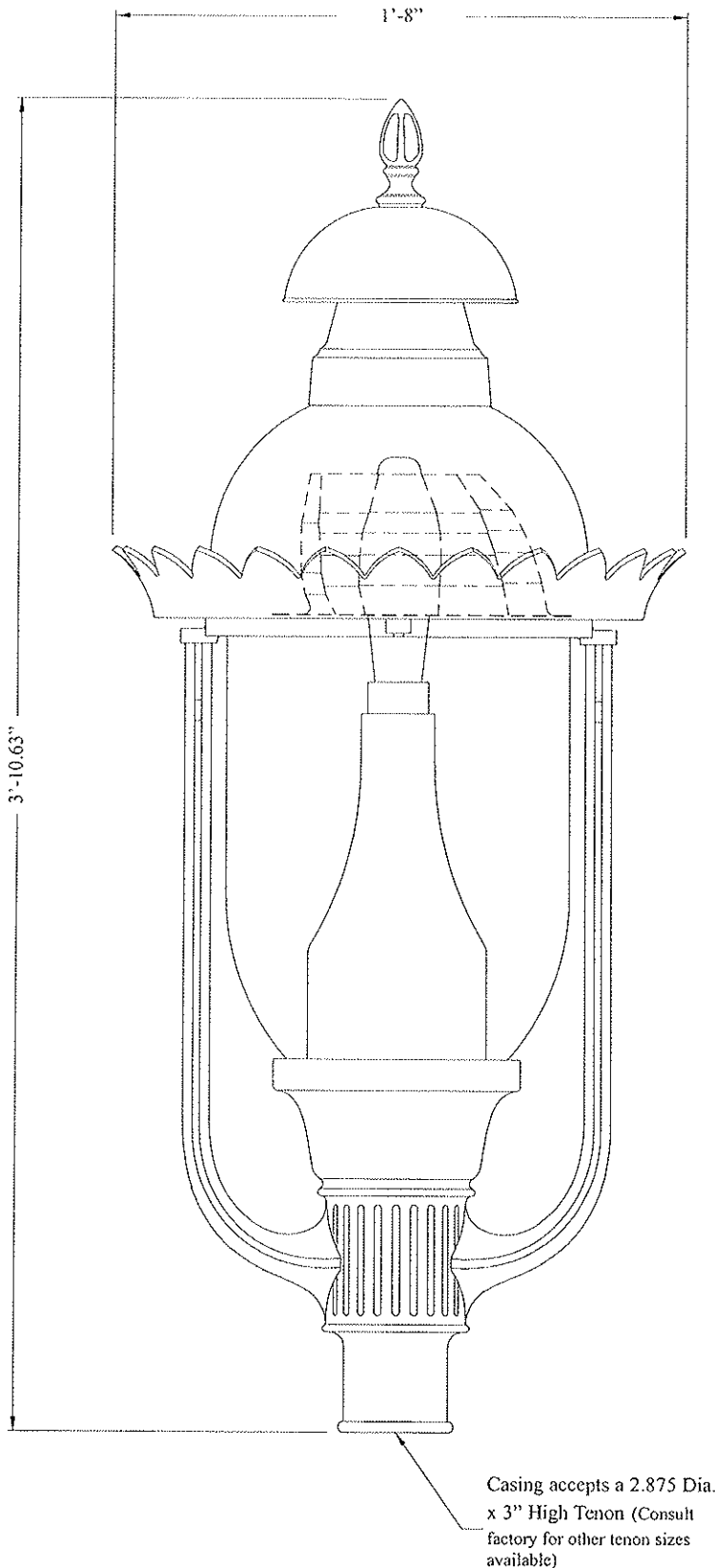
The luminaire material is heavy wall cast aluminum per A.S.T.M. B26, Alloy SR356. The luminaire is supplied with either a 4KV porcelain medium or mogul base socket. All hardware is stainless steel. All components are UL listed.

Light Source

Luminaires are UL listed for wet location and are furnished as required with a High Intensity Discharge ballast. The ballasts are high power factor core and coil type and are available in a wide range of sources and voltages. See the following page for the most common.

Installation

The luminaires are designed to mount over a tenon and are secured to the tenon using several stainless steel set screws. Standard tenon size for this luminaire is 2.875" Dia. x 3" High. Consult factory for other tenon sizes.



SPRING CITY ELECTRICAL MFG. CO., INC.

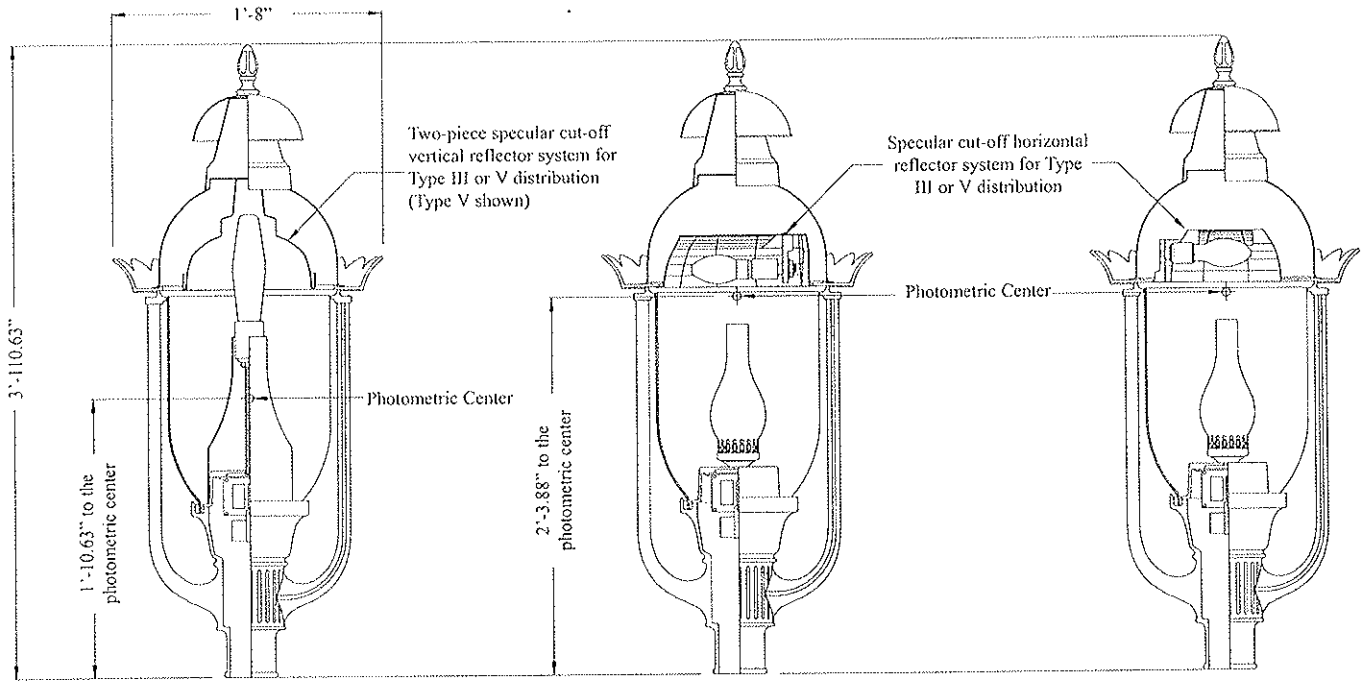
Hall & Main Streets, P. O. Box 19

Spring City, PA 19475-0019

Phone: 610-948-4000 Fax: 610-948-5577

Website: www.springcity.com

Page: LS 19



LMBRH-HP150/QV1/SD-
PBRO-VC5-FBR-CB

LMBRH-HP150/QV1/SD-
PBRO-HC3/CMS-FBR-CB

LMBRH-HP150/QV1/SD-
PBRO-HC5/CMS-FBR-CB

| | | | | | | | | | | | | |
|----------------|---|---------|-------|----------|---------|-----------|---------|----------|----------|--------------|----------|------------|
| Ordering Guide | Material | Product | Style | - Source | Wattage | / Ballast | Voltage | / Socket | - Globes | - Reflectors | - Finial | - Coatings |
| | A | LM | BRJ | - MH | 100 | / Q | V1 | / SD | - PBRO | - VC3 | - FBR | - CB |
| | Aluminum Luminaire Borough- 100 Watt Metal Halide/ Quadriavolt 120 Volts /Medium base -Clear Poly. Globe - Vertical Cut-off/III - Stand. Finial -Classic Black Finish | | | | | | | | | | | |

Material Product Style-
 _____ ALMGPL- Cast Aluminum Luminaire Grosse Pointe Woods

Source
 _____ HP (High Pressure Sodium) _____ IN (Incandescent)
 _____ MH (Metal Halide) _____ MV (Mercury Vapor) _____ XX (Modifier)

Wattage
 _____ 050/ (50 Watts) _____ 070/ 70 Watts) _____ 075/ (75 Watts) _____ 100/ (100 Watts)
 _____ 150/ (150 Watts) _____ 175/ (175 Watts) _____ 200/ (200 Watts) _____ 250/ (250 Watts)

Ballast Type
 _____ S Single Voltage _____ D Dual Voltage 120/240
 _____ T Two Voltage 120/277 _____ Q 120/208/240/277 Quad Voltage

Voltage
 _____ V1/ 120 Volts _____ V8/ 208 Volts _____ V2/ 240Volts
 _____ V7/ 277 Volts _____ V4/ 480 Volts _____ VO/ Unwired

Sockets
 _____ SD- Medium Base _____ SM- Mogul Base

Globes
 _____ PBRO - Polycarbonate Clear Borough Globe
 _____ XXX - Modifier

Reflectors
 _____ HC3- Horizontal Cut off/III _____ HC5- Horizontal Cut off/V
 _____ VC3- Vertical Cut off / III _____ VC5- Vertical Cut off / V
 _____ CMS- Small Chimney _____ CML- Large Chimney

Finials
 _____ FBR- Standard Borough Finial _____ FEG- Eagle Finial
 _____ FSB- Eagle Finial _____ XX- Modifier

Modifications
 _____ BT- Button type photo control

Coatings
 _____ UF Unfinished _____ PO Prime Painted only
 _____ CB Classic Black Finish _____ BG Bottle Green Finish
 _____ DB Dark Bronze Finish _____ GI Grey Iron Finish
 _____ LB Long Beach Blue Finish _____ VG Verde Green Finish
 _____ CU Custom Powder Finish _____ CW Custom Wet Finish

SPRING CITY ELECTRICAL MFG. CO., INC.
 Hall & Main Streets, P. O. Box 19
 Spring City, PA 19475-0019
 Phone: 610-948-4000 Fax: 610-948-5577
 Website: www.springcity.com



Bishop's Crook LiteShield Vertical Cut-off Luminaire

Catalog No.: LMBCC-VC3 / 5

Specifications

Description

The Bishop's Crook LiteShield vertical cut-off luminaire shall consist of a cast decorative housing, globe and a specular reflector system. The luminaire is designed to meet or exceed the cut-off requirements as defined in IES RP-8-00. The luminaire is available in a type III or V distribution.

Dimensions

The luminaire's overall dimensions are as shown. The height of the main body of the luminaire itself, less globe is 2'-0.5".

Material

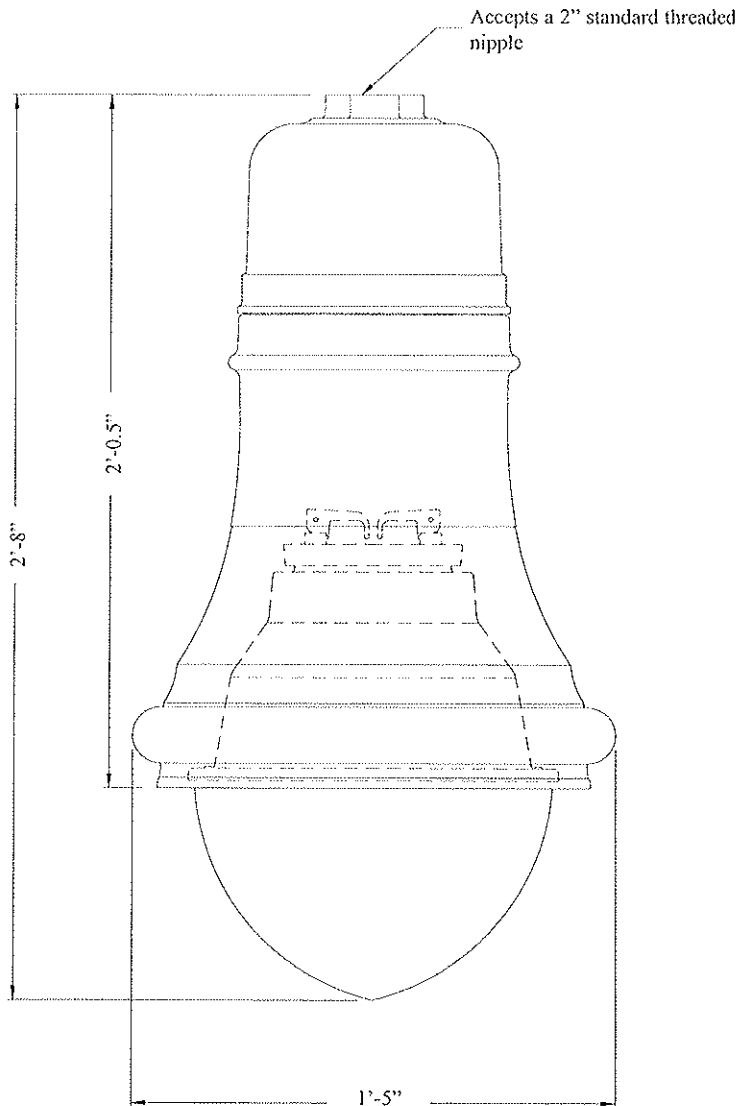
The luminaire material is heavy wall cast aluminum per A.S.T.M. B26, Alloy SR356. The luminaire is supplied with either a 4KV porcelain medium or mogul base socket. All hardware is stainless steel. All components are UL listed.

Light Source

Luminaires are UL listed for wet location and are furnished as required with a High Intensity Discharge ballast. The ballasts are high power factor core and coil type and are available in a wide range of sources and voltages. See the following page for the most common.

Installation

The luminaires are designed to attach to a threaded nipple and are secured to the nipple using stainless steel set screws. Standard threaded nipple size for this luminaire is 2". Consult factory for other threaded nipple sizes.



SPRING CITY ELECTRICAL MFG. CO., INC.

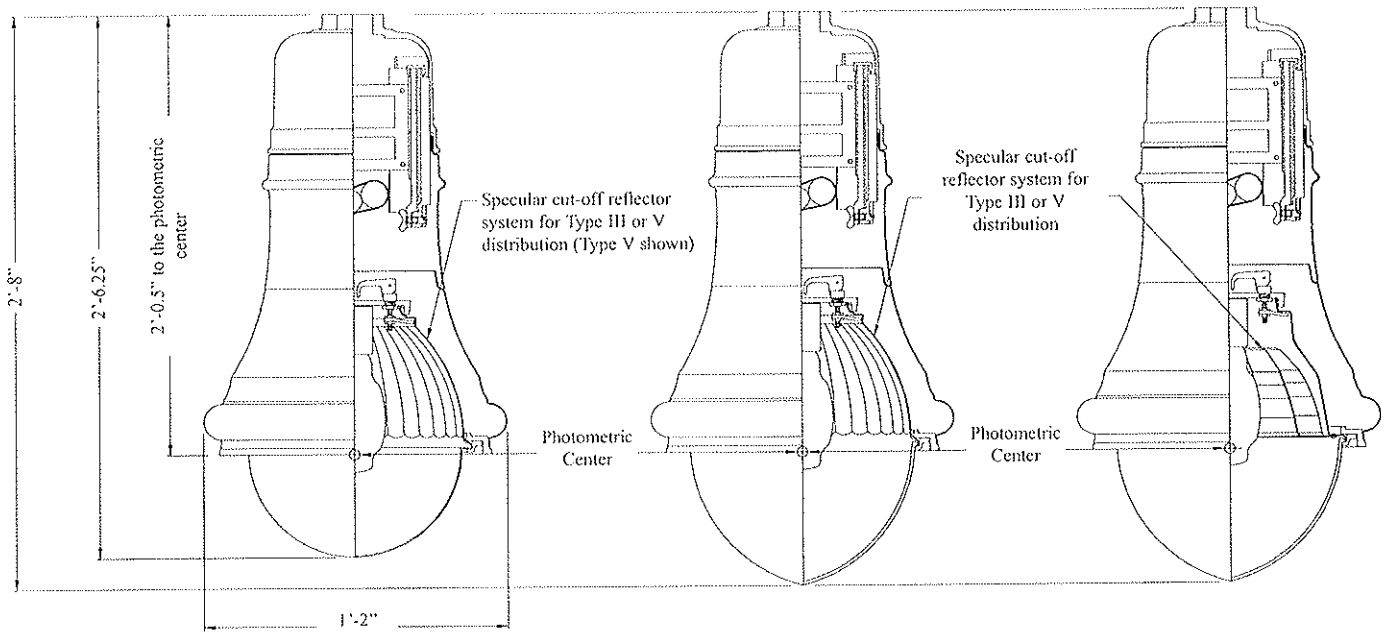
Hall & Main Streets, P. O. Box 19

Spring City, PA 19475-0019

Phone: 610-948-4000 Fax: 610-948-5577

Website: www.springcity.com

Page: LS 21



LMBCC-HP150/QV1/SD-
PHR2-VC5-CB

LMBCC-HP250/QV1/SM-
GS10-VC5-CB

LMBCC-MH175/QV1/SD-
GS10-VC3-CB

| | | | | | | | | | | |
|----------------|--|---------|-------|------------------|-----------|---------|----------|--------|--------------|------------|
| Ordering Guide | Material | Product | Style | - Source Wattage | / Ballast | Voltage | / Socket | -Globe | - Reflectors | - Coatings |
| | A | LM | BCC | - MH100 | / Q | V1 | / SD | - GS10 | - VC3 | - CB |
| | Aluminum Luminaire Bishop's Crook- 100 Watt Metal Halide/ Quadravolt 120 Volts / Medium base - Glass Stippled - Vertical Cut-off/III -Classic Black Finish | | | | | | | | | |

Material Product Style-

_____ ALMBCC- Cast Aluminum Luminaire Bishop's Crook

Source

_____ HP (High Pressure Sodium) _____ IN (Incandescent)
 _____ MH (Metal Halide) _____ MV (Mercury Vapor) _____ XX (Modifier)

Wattage

_____ 050/ (50 Watts) _____ 070/ (70 Watts) _____ 075/ (75 Watts)
 _____ 100/ (100 Watts) _____ 150/ (150 Watts) _____ 175/ (175 Watts)
 _____ 200/ (200 Watts) _____ 250/ (250 Watts)

Ballast Type

_____ S Single Voltage _____ D Dual Voltage 120/240
 _____ T Two Voltage 120/277 _____ Q 120/208/240/277 Quad Voltage

Voltage

_____ V1/ 120 Volts _____ V8/ 208 Volts _____ V2/ 240Volts
 _____ V7/ 277 Volts _____ V4/ 480 Volts _____ VO/ Unwired

Sockets

SD- Medium Base

SM- Mogul Base

Globe

_____ GS10 - Glass Stippled
 _____ PHR2 - Polycarbonate Half Round 12"
 _____ XXX - Modifier

Reflectors

_____ VC3- Vertical Cut off / III _____ VC5- Vertical Cut off / V

Coatings

_____ UF Unfinished _____ PO Prime Painted only
 _____ CB Classic Black Finish _____ BG Bottle Green Finish
 _____ DB Dark Bronze Finish _____ GI Grey Iron Finish
 _____ LB Long Beach Blue Finish _____ VG Verde Green Finish
 _____ CU Custom Powder Finish _____ CW Custom Wet Finish



SPRING CITY ELECTRICAL MFG. CO., INC.
 Hall & Main Streets, P. O. Box 19
 Spring City, PA 19475-0019
 Phone: 610-948-4000 Fax: 610-948-5577
 Website: www.springcity.com

MBNA LiteShield Horizontal Cut-off

Luminaire

Catalog No.: LMMBN-HC3 / 5

Specifications

Description

The MBNA LiteShield horizontal cut-off luminaire shall consist of a cast decorative base, cage, roof and finial, clear panels, and a specular reflector system. The luminaire is designed to meet or exceed the cut-off requirements as defined in IES RP-8-00. The luminaire is available in a type III or V distribution.

Dimensions

The luminaire's overall dimensions are as shown. The height varies depending on finial options.

Material

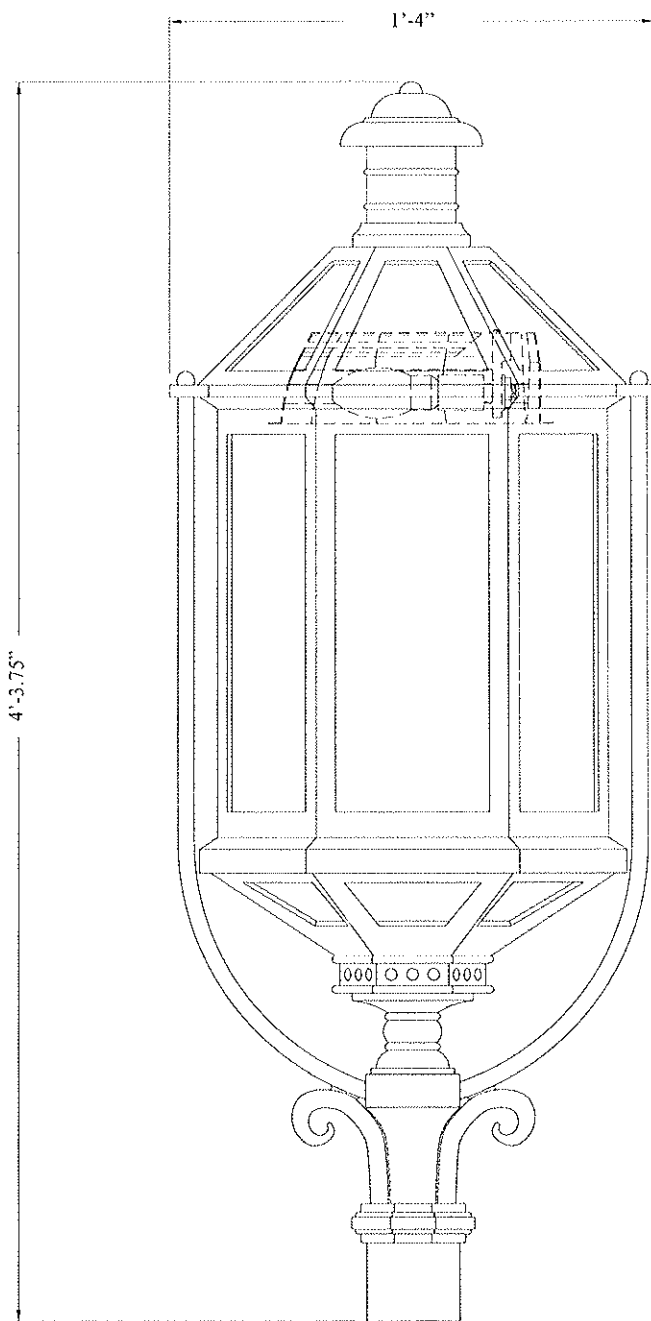
The luminaire material is heavy wall cast aluminum per A.S.T.M. B26, Alloy SR356. The luminaire is supplied with either a 4KV porcelain medium or mogul base socket. All hardware is stainless steel. All components are UL listed.

Light Source

Luminaires are UL listed for wet location and are furnished as required with a High Intensity Discharge ballast. The ballasts are high power factor core and coil type and are available in a wide range of sources and voltages. See the following page for the most common.

Installation

The luminaires are designed to mount over a tenon and are secured to the tenon using several stainless steel set screws. Standard tenon size for this luminaire is 2.875" Dia. x 3" High. Consult factory for other tenon sizes.



Casing accepts a 2.875" Dia. x 3" High Tenon (Consult factory for other tenon sizes available)



SPRING CITY ELECTRICAL MFG. CO., INC.

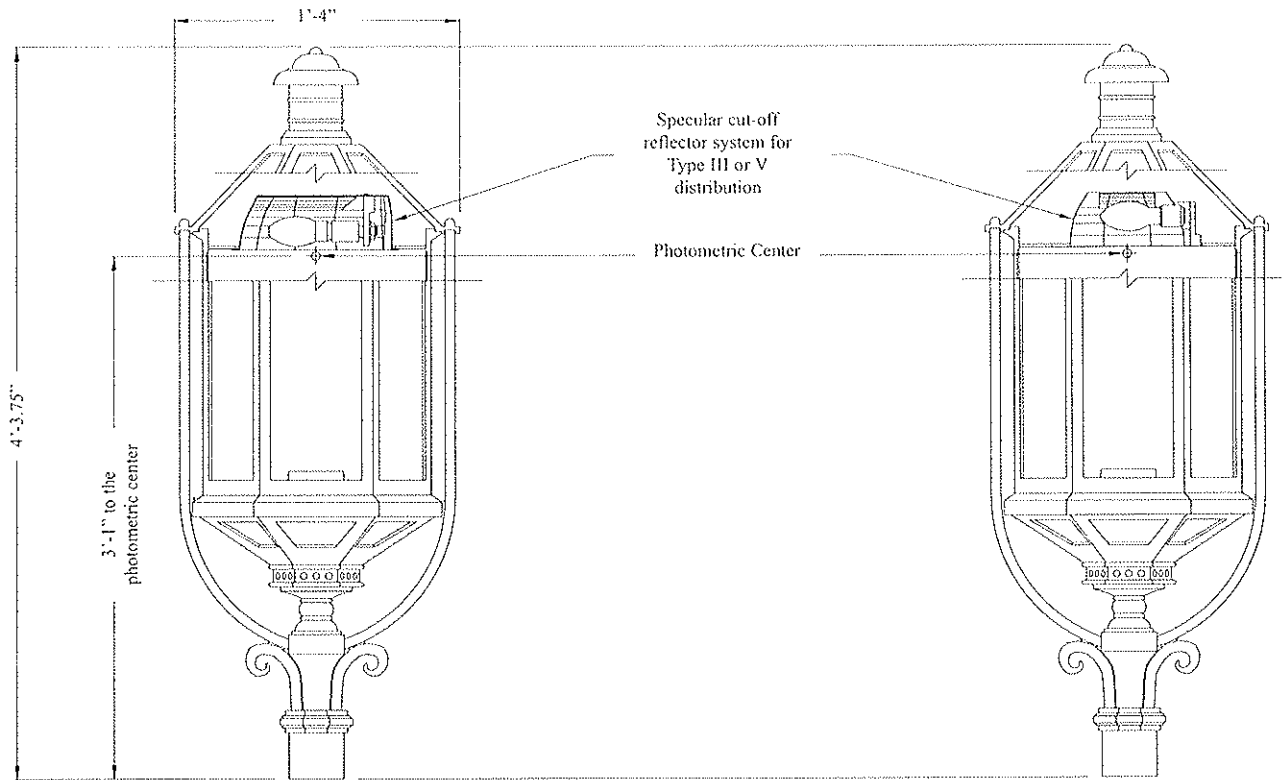
Hall & Main Streets, P. O. Box 19

Spring City, PA 19475-0019

Phone: 610-948-4000 Fax: 610-948-5577

Website: www.springcity.com

Page: LS 23



LMMBN-HP250/QV1/SM-
PPLO-HC3-CB

LMMBN-HP150/QV1/SD-
PPLO-HC5-CB

| Ordering Guide | Material | Product | Style | Source | Wattage | Ballast | Voltage | Socket | Panels | Reflectors | Coatings |
|----------------|--------------------|---------|-------------------------|--------------|-----------|---------------|----------------------|--------------------------|------------------------|------------|----------|
| | A | LM | MBN | - MH100 | / Q | V1 | / SD | - PPLO | - HC3 | - CB | |
| | Aluminum Luminaire | MBNA | - 100 Watt Metal Halide | / Quadravolt | 120 Volts | / Medium base | - Clear Poly. Panels | - Horizontal Cut-off/III | - Classic Black Finish | | |

Material Product Style-

_____ ALMMBN- Cast Aluminum Luminaire MBNA

Source

_____ HP (High Pressure Sodium) _____ IN (Incandescent)
 _____ MH (Metal Halide) _____ MV (Mercury Vapor) _____ XX (Modifier)

Wattage

_____ 050/ (50 Watts) _____ 070/ (70 Watts) _____ 075/ (75 Watts) _____ 100/ (100 Watts)
 _____ 150/ (150 Watts) _____ 175/ (175 Watts) _____ 200/ (200 Watts) _____ 250/ (250 Watts)

Ballast Type

_____ S Single Voltage _____ D Dual Voltage 120/240
 _____ T Two Voltage 120/277 _____ Q 120/208/240/277 Quad Voltage

Voltage

_____ V1/ 120 Volts _____ V8/ 208 Volts _____ V2/ 240Volts
 _____ V7/ 277 Volts _____ V4/ 480 Volts _____ VO/ Unwired

Sockets

_____ SD- Medium Base _____ SM- Mogul Base

Panels

_____ PPLO - Polycarbonate Clear Panel
 _____ YPLO - Acrylic Clear Panel
 _____ XXX - Modifier

Reflectors

_____ HC3- Horizontal Cut off/III _____ HC5- Horizontal Cut off/V

Finials

_____ XX- Modifier

Modifications

_____ BT- Button type photo control

Coatings

_____ UF Unfinished _____ PO Prime Painted only
 _____ CB Classic Black Finish _____ BG Bottle Green Finish
 _____ DB Dark Bronze Finish _____ GI Grey Iron Finish
 _____ LB Long Beach Blue Finish _____ VG Verde Green Finish
 _____ CU Custom Powder Finish _____ CW Custom Wet Finish



SPRING CITY ELECTRICAL MFG. CO., INC.
 Hall & Main Streets, P. O. Box 19
 Spring City, PA 19475-0019
 Phone: 610-948-4000 Fax: 610-948-5577
 Website: www.springcity.com

Specifications

Description

The Quality Hill LiteShield vertical / horizontal cut-off luminaire shall consist of a cast decorative base, cage, roof and finial, clear panels, and a two-piece specular reflector system. The luminaire is designed to meet or exceed the cut-off requirements as defined in IES RP-8-00. The luminaire is available in a type III or V distribution.

Dimensions

The luminaire's overall dimensions are as shown. The height varies depending on finial options.

Material

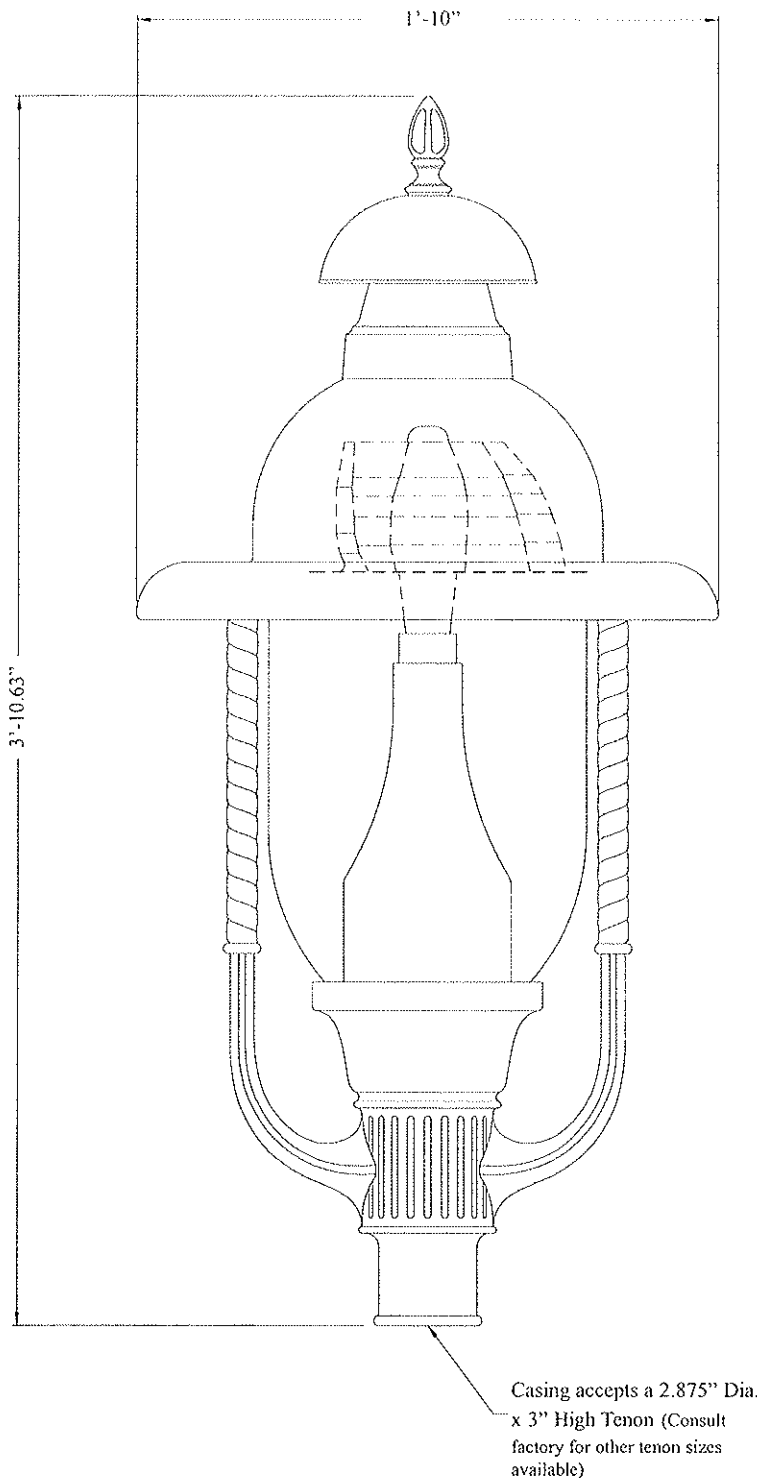
The luminaire material is heavy wall cast aluminum per A.S.T.M. B26, Alloy SR356. The luminaire is supplied with either a 4KV porcelain medium or mogul base socket. All hardware is stainless steel. All components are UL listed.

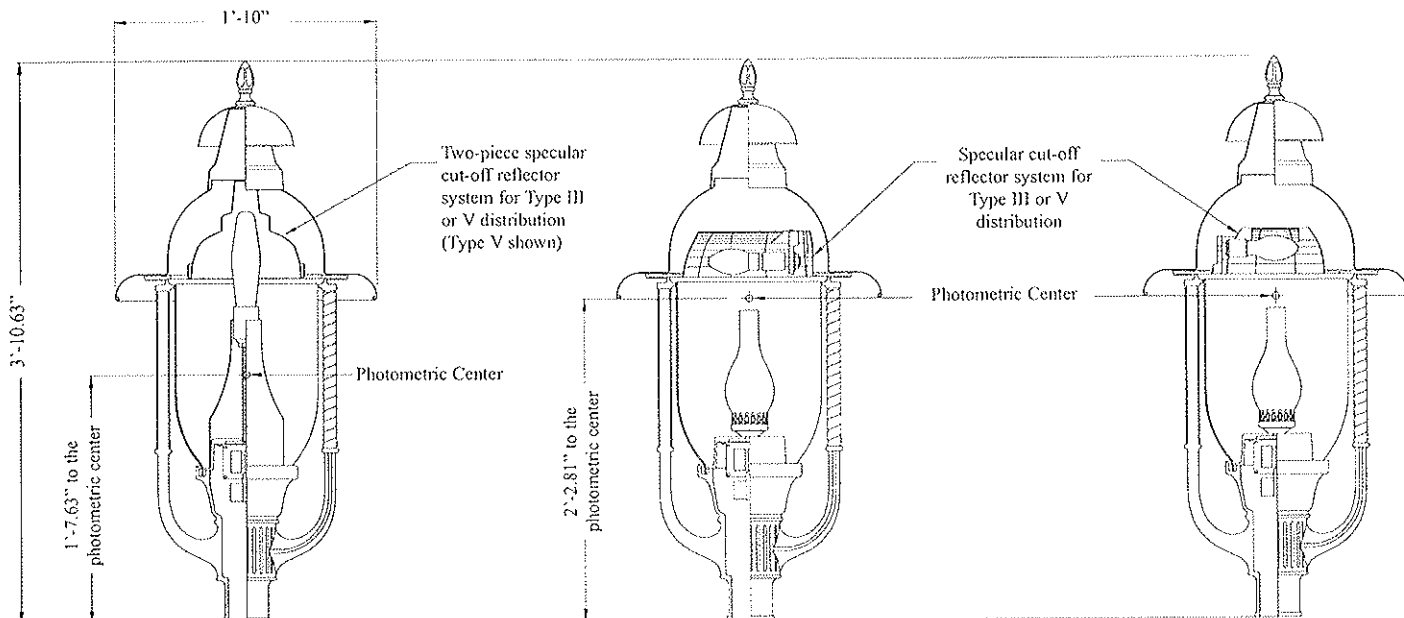
Light Source

Luminaires are UL listed for wet location and are furnished as required with a High Intensity Discharge ballast. The ballasts are high power factor core and coil type and are available in a wide range of sources and voltages. See the following page for the most common.

Installation

The luminaires are designed to mount over a tenon and are secured to the tenon using several stainless steel set screws. Standard tenon size for this luminaire is 2.875" Dia. x 3" High. Consult factory for other tenon sizes.





LMQLT-HP150/QV1/SD-
PPLO-VC5-FG3-CB

LMQLT-MH175/QV1/SD-
PPLO-HC3-FG3-CB

LMQLT-MH150/QV1/SM-
PPLO-HC5-FG3-CB

| Ordering Guide | Material | Product | Style | Source | Wattage | Ballast | Voltage | Socket | Globe | Reflectors | Finial | Coatings |
|----------------|--|---------|-------|--------|---------|---------|---------|--------|-------|------------|--------|----------|
| | A | LM | QLT | MH100 | | /Q | V1 | /SD | PBRO | VC3 | FG3 | CB |
| | Aluminum Luminaire Quality Hill -100 Watt Metal Halide / Quadravolt 120 Volts /Medium base -Clear Poly. Globe - Vertical Cut-off/III - Stand. Finial -Classic Black Finish | | | | | | | | | | | |

Material Product Style-

___ ALMQLT- Cast Aluminum Luminaire Quality Hill

Source

___ HP (High Pressure Sodium) ___ IN (Incandescent)
___ MH (Metal Halide) ___ MV (Mercury Vapor) ___ XX (Modifier)

Wattage

___ 050/ (50 Watts) ___ 070/ (70 Watts) ___ 075/ (75 Watts) ___ 100/ (100 Watts)
___ 150/ (150 Watts) ___ 175/ (175 Watts)

Ballast Type

___ S Single Voltage ___ D Dual Voltage 120/240
___ T Two Voltage 120/277 ___ Q 120/208/240/277 Quad Voltage

Voltage

___ V1/ 120 Volts ___ V8/ 208 Volts ___ V2/ 240 Volts
___ V7/ 277 Volts ___ V4/ 480 Volts ___ V0/ Unwired

Sockets

___ SD- Medium Base ___ SM- Mogul Base

Panels

___ PBRO - Polycarbonate Clear Borough Globe
___ XXX - Modifier

Reflectors

___ HC3- Horizontal Cut off/III ___ HC5- Horizontal Cut off/V
___ VC3- Vertical Cut off / III ___ VC5- Vertical Cut off / V

Finials

___ FG3- Standard Borough Finial ___ FEG-Eagle Finial
___ FSB-Small Brass Finial ___ XX- Modifier

Modifications

___ BT- Button type photo control

Coatings

___ UF Unfinished ___ PO Prime Painted only
___ CB Classic Black Finish ___ BG Bottle Green Finish
___ DB Dark Bronze Finish ___ G1 Grey Iron Finish
___ LB Long Beach Blue Finish ___ VG Verde Green Finish
___ CU Custom Powder Finish ___ CW Custom Wet Finish



SPRING CITY ELECTRICAL MFG. CO., INC.
Hall & Main Streets, P. O. Box 19
Spring City, PA 19475-0019
Phone: 610-948-4000 Fax: 610-948-5577
Website: www.springcity.com

**Jefferson LiteShield Vertical / Horizontal
Cut-off Luminaire**

Catalog No.: LMJFF-VC3 / 5 or HC3 / 5

Specifications

Description

The Jefferson LiteShield vertical / horizontal cut-off luminaire shall consist of a cast decorative base, cage, roof and finial, clear panels, and a two-piece specular reflector system. The luminaire is designed to meet or exceed the cut-off requirements as defined in IES RP-8-00. The luminaire is available in a type III or V distribution.

Dimensions

The luminaire's overall dimensions are as shown. The height varies depending on finial options.

Material

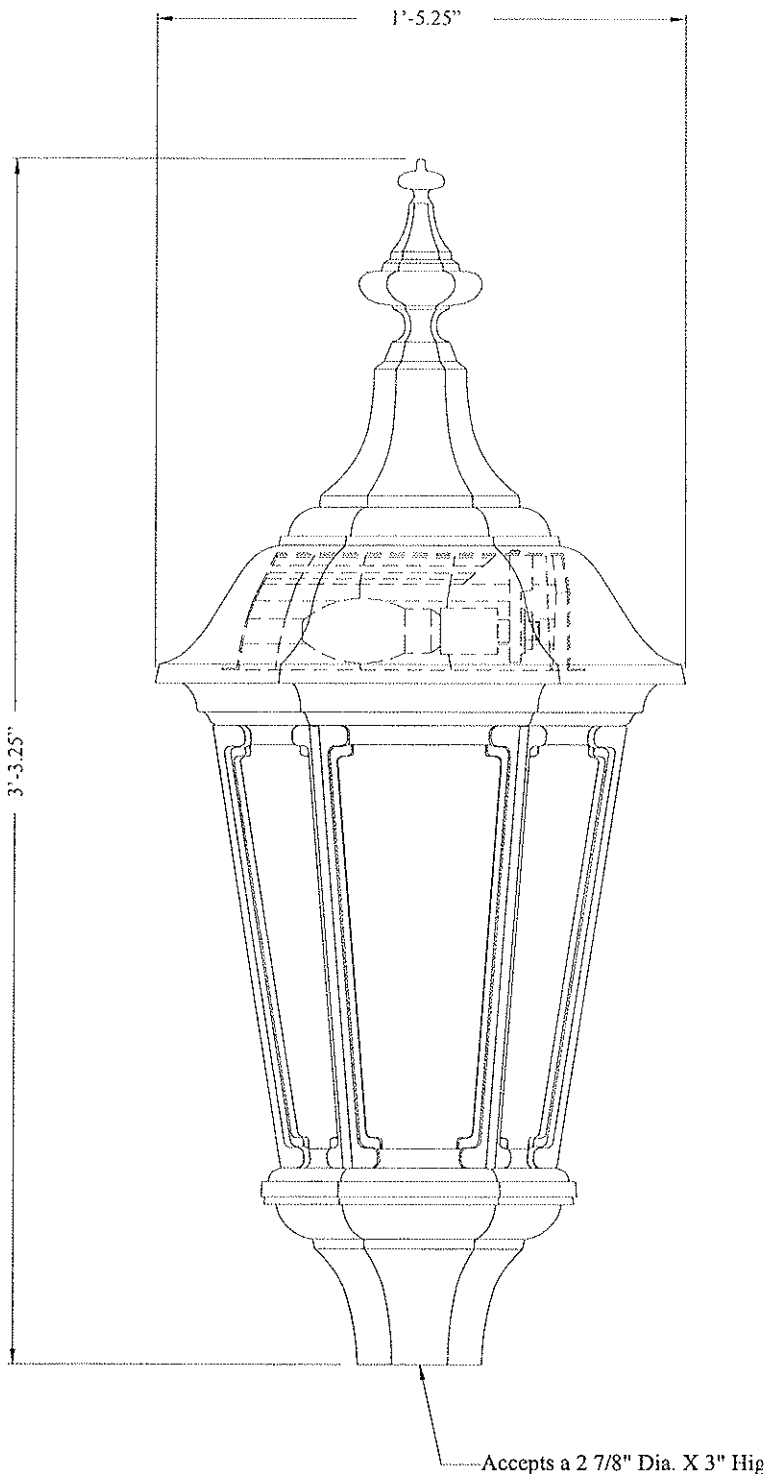
The luminaire material is heavy wall cast aluminum per A.S.T.M. B26, Alloy SR356. The luminaire is supplied with either a 4KV porcelain medium or mogul base socket. All hardware is stainless steel. All components are UL listed.

Light Source

Luminaires are UL listed for wet location and are furnished as required with a High Intensity Discharge ballast. The ballasts are high power factor core and coil type and are available in a wide range of sources and voltages. See the following page for the most common.

Installation

The luminaires are designed to mount over a tenon and are secured to the tenon using several stainless steel set screws. Standard tenon size for this luminaire is 3.5" Dia. x 3" High. Consult factory for other tenon sizes.



SPRING CITY ELECTRICAL MFG. CO., INC.

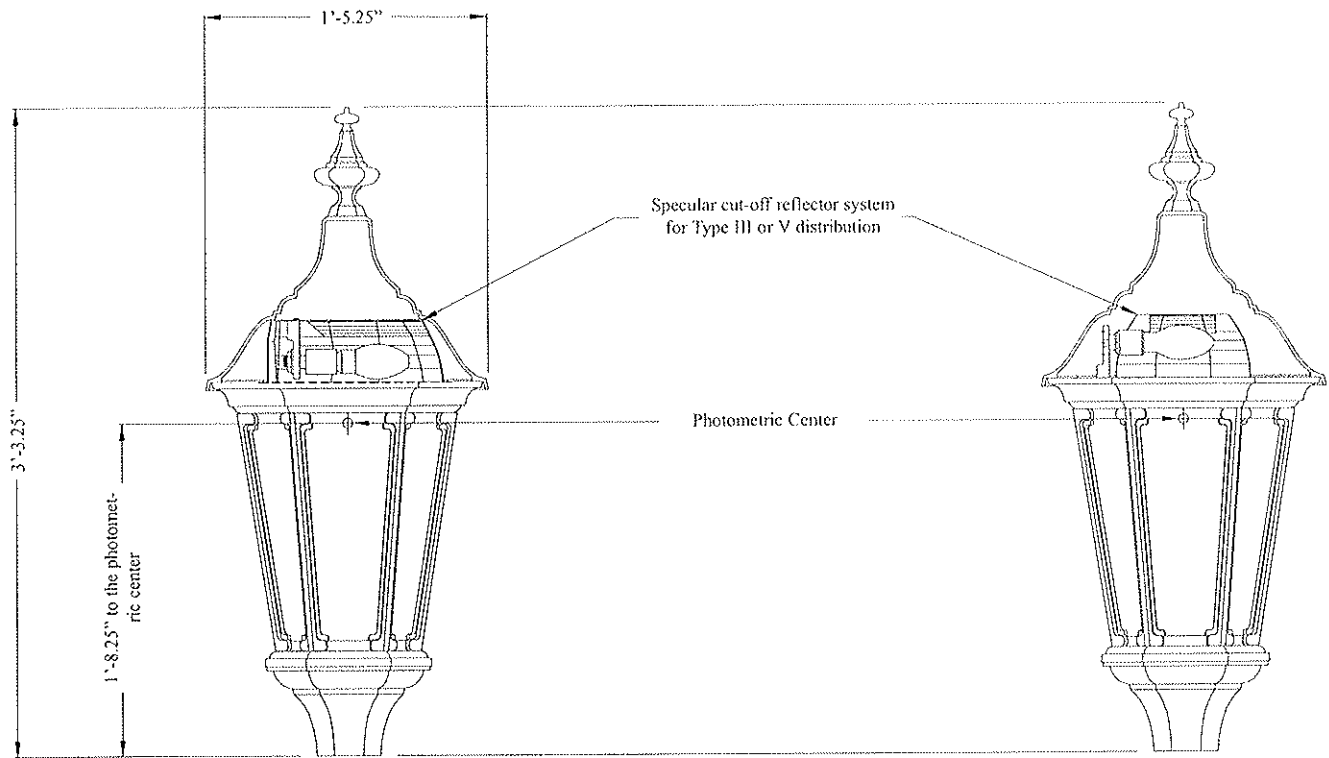
Hall & Main Streets, P. O. Box 19

Spring City, PA 19475-0019

Phone: 610-948-4000 Fax: 610-948-5577

Website: www.springcity.com

Page: LS 27



LMCSL-HP150/QV1/SD-PPLO-
HC3-FC3-CB

LMCSL-MH100/QV1/SD-PPLO-
HCS-FC3-CB

Ordering Guide

| Material | Product | Style | Source | Wattage | Ballast | Voltage | Socket | Panels | Reflectors | Finial | Coatings |
|---|---------|-------|--------|---------|---------|---------|--------|--------|------------|--------|----------|
| A | LM | CSL | MH | 100 | Q | VI | SD | PPLO | VC3 | FC3 | CB |
| Aluminum Luminaire Costa Mesa Sr. - 100 Watt Metal Halide / Quadravolt 120 Volts / Medium base - Clear Poly. Panels - Vertical Cut-off/III - Stand. Finial - Classic Black Finish | | | | | | | | | | | |

Material Product Style-

_____ ALMCSL- Cast Aluminum Luminaire Costa Mesa Sr.

Source

_____ HP (High Pressure Sodium) _____ IN (Incandescent)
 _____ MH (Metal Halide) _____ MV (Mercury Vapor) _____ XX (Modifier)

Wattage

_____ 050/ (50 Watts) _____ 070/ (70 Watts) _____ 075/ (75 Watts) _____ 100/ (100 Watts)
 _____ 150/ (150 Watts) _____ 175/ (175 Watts)

Ballast Type

_____ S Single Voltage _____ D Dual Voltage 120/240
 _____ T Two Voltage 120/277 _____ Q 120/208/240/277 Quad Voltage

Voltage

_____ V1/ 120 Volts _____ V8/ 208 Volts _____ V2/ 240 Volts
 _____ V7/ 277 Volts _____ V4/ 480 Volts _____ V0/ Unwired

Sockets

_____ SD- Medium Base

Panels

_____ PPLO - Polycarbonate Clear Panel
 _____ YPLO - Acrylic Clear Panel
 _____ XXX - Modifier

Reflectors

_____ HC3- Horizontal Cut off/III _____ HC5- Horizontal Cut off/V

Finials

_____ FC3- Standard Cast Finial
 _____ XX- Modifier

Modifications

_____ BT- Button type photo control

Coatings

_____ UF Unfinished _____ PO Prime Painted only
 _____ CB Classic Black Finish _____ BG Bottle Green Finish
 _____ DB Dark Bronze Finish _____ GI Grey Iron Finish
 _____ LB Long Beach Blue Finish _____ VG Verde Green Finish
 _____ CU Custom Powder Finish _____ CW Custom Wet Finish



SPRING CITY ELECTRICAL MFG. CO., INC.
 Hall & Main Streets, P. O. Box 19
 Spring City, PA 19475-0019
 Phone: 610-948-4000 Fax: 610-948-5577
 Website: www.springcity.com

**Independence LiteShield Horizontal
Cut-off Luminaire**
Catalog No.: LMIND-HC3

Specifications

Description

The Independence LiteShield horizontal cut-off luminaire shall consist of a cast decorative base, cage, roof and finial, clear panels, and a specular reflector system. The luminaire is designed to meet or exceed the cut-off requirements as defined in IES RP-8-00. The luminaire is available in a type III distribution.

Dimensions

The luminaire's overall dimensions are as shown. The height varies depending on finial options.

Material

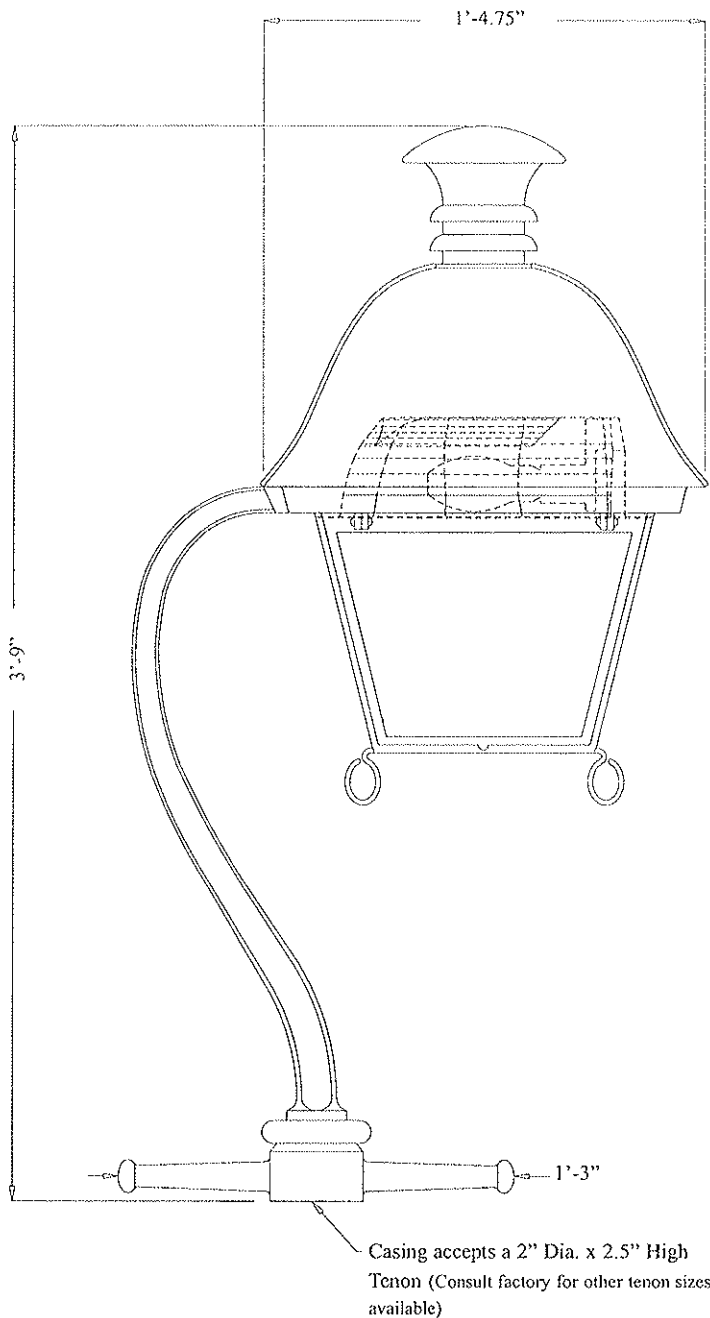
The luminaire material is heavy wall cast aluminum per A.S.T.M. B26, Alloy SR356. The luminaire is supplied with a 4KV porcelain medium base socket. All hardware is stainless steel. All components are UL listed.

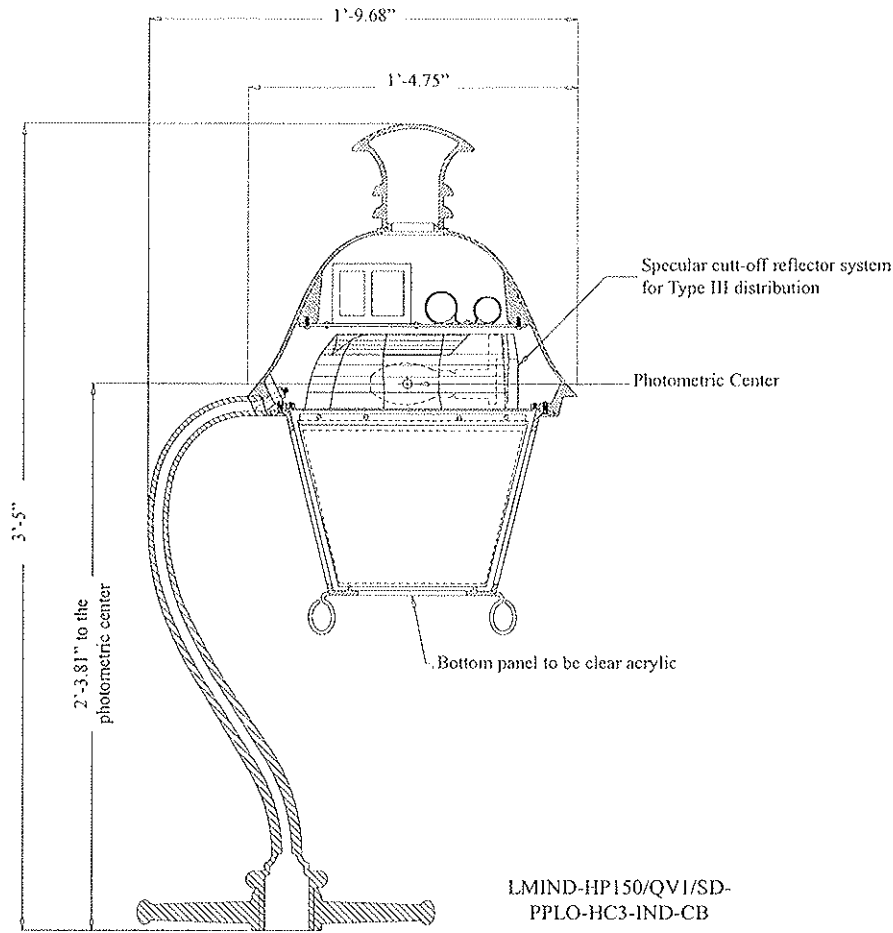
Light Source

Luminaires are UL listed for wet location and are furnished as required with a High Intensity Discharge ballast. The ballasts are high power factor core and coil type and are available in a wide range of sources and voltages. See the following page for the most common.

Installation

The luminaires are designed to mount over a tenon and are secured to the tenon using several stainless steel set screws. Standard tenon size for this luminaire is 2" Dia. x 2 1/2" High. Consult factory for other tenon sizes.





| Ordering Guide | Material | Product | Style | Source | Wattage | Ballast | Voltage | Socket | Panels | Reflectors | Finial | Coatings |
|---|----------|---------|-------|--------|---------|---------|---------|--------|--------|------------|--------|----------|
| | A | LM | IND | MH | 100 | Q | V1 | SD | PPLO | HC3 | IND | CB |
| Alum. Luminaire Independence-100 Watt Metal Halide/ Quadravolt/120 Volts /Medium base -Clear Poly. Panels- Horizontal Cut-off/III - Stand. Finial -Classic Black Finish | | | | | | | | | | | | |

Material Product Style-

___ ALMIND- Cast Aluminum Luminaire Independence

Source

___ HP (High Pressure Sodium) ___ IN (Incandescent)
 ___ MH (Metal Halide) ___ MV (Mercury Vapor) ___ XX (Modifier)

Wattage

___ 050/ (50 Watts) ___ 070/ 70 Watts) ___ 075/ (75 Watts) ___ 100/ (100 Watts)
 ___ 150/ (150 Watts) ___ 175/ (175 Watts)

Ballast Type

___ S Single Voltage ___ D Dual Voltage 120/240
 ___ T Two Voltage 120/277 ___ Q 120/208/240/277 Quad Voltage

Voltage

___ V1/ 120 Volts ___ V8/ 208 Volts ___ V2/ 240Volts
 ___ V7/ 277 Volts ___ V4/ 480 Volts ___ V0/ Unwired

Sockets

___ SD- Medium Base

Panels

___ PPLO - Polycarbonate Clear Panel
 ___ YPLO - Acrylic Clear Panel
 ___ YSDP - Acrylic Seeded Panel
 ___ XXX - Modifier

Reflectors

___ HC3- Horizontal Cut off/III

Finials

___ IND- Standard Finial
 ___ XX- Modifier

Modifications

___ BT- Button type photo control

Coatings

___ UF Unfinished ___ PO Prime Painted only
 ___ CB Classic Black Finish ___ BG Bottle Green Finish
 ___ DB Dark Bronze Finish ___ G I Grey Iron Finish
 ___ LB Long Beach Blue Finish ___ VG Verde Green Finish
 ___ CU Custom Powder Finish ___ CW Custom Wet Finish



SPRING CITY ELECTRICAL MFG. CO., INC.
 Hall & Main Streets, P. O. Box 19
 Spring City, PA 19475-0019
 Phone: 610-948-4000 Fax: 610-948-5577
 Website: www.springcity.com

Specifications

Description

The Grosse Pointe Woods LiteShield vertical / horizontal cut-off luminaire shall consist of a cast decorative base, cage, roof and finial, clear panels, and a two-piece specular reflector system. The luminaire is designed to meet or exceed the cut-off requirements as defined in IES RP-8-00. The luminaire is available in a type III or V distribution.

Dimensions

The luminaire's overall dimensions are as shown. The height varies depending on finial options.

Material

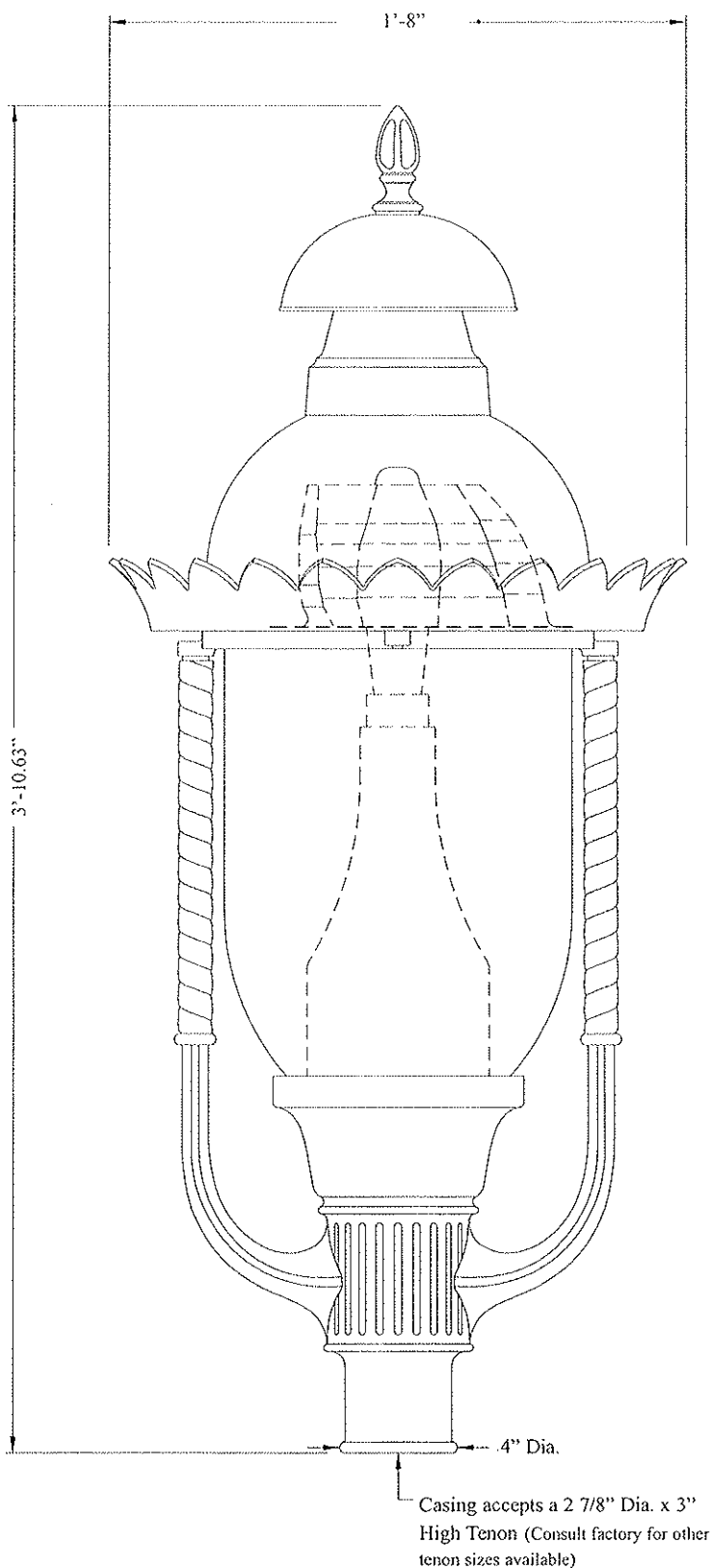
The luminaire material is heavy wall cast aluminum per A.S.T.M. B26, Alloy SR356. The luminaire is supplied with either a 4KV porcelain medium or mogul base socket. All hardware is stainless steel. All components are UL listed.

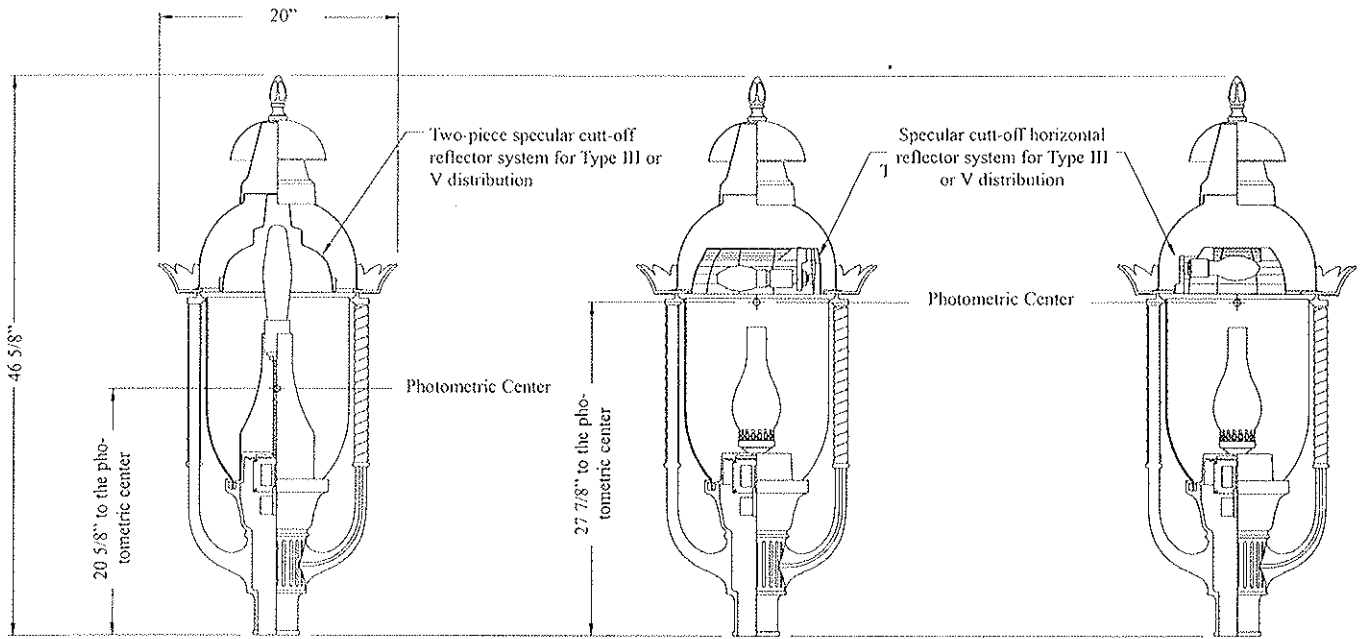
Light Source

Luminaires are UL listed for wet location and are furnished as required with a High Intensity Discharge ballast. The ballasts are high power factor core and coil type and are available in a wide range of sources and voltages. See the following page for the most common.

Installation

The luminaires are designed to mount over a tenon and are secured to the tenon using several stainless steel set screws. Standard tenon size for this luminaire is 2 7/8" Dia. x 3" High. Consult factory for other tenon sizes.





LMGPL-HP150/QV1/SD-
PBRO-VC3-FBR-CB

LMGPL-HP150/QV1/SD-
PBRO-VC3/CMS-FBR-CB

LMGPL-HP150/QV1/SD-
PBRO-VC5/CMS-FBR-CB

| Ordering Guide | Material | Product | Style | Source | Wattage | Ballast | Voltage | Socket | Globe | Reflectors | Finial | Coatings |
|----------------|----------|---------|-------|---------|---------|---------|---------|--------|-------|------------|--------|--|
| | A | LM | GPL | - MH100 | / Q | V1 | / SD | - PBRO | - VC3 | - FBR | - CB | Aluminum Luminaire Grosse Pointe Woods- 100 Watt Metal Halide/ Quadravolt120 Volts /Medium base -Clear Poly.- Vertical Cut-off/III - Stand. Finial -Classic Black Finish |

Material Product Style-
 _____ ALMGPL- Cast Aluminum Luminaire Grosse Pointe Woods

Source
 _____ HP (High Pressure Sodium) _____ IN (Incandescent)
 _____ MH (Metal Halide) _____ MV (Mercury Vapor) _____ XX (Modifier)

Wattage
 _____ 050/ (50 Watts) _____ 070/ 70 Watts) _____ 075/ (75 Watts) _____ 100/ (100 Watts)
 _____ 150/ (150 Watts) _____ 175/ (175 Watts) _____ 200/ (200 Watts) _____ 250/ (250 Watts)

Ballast Type
 _____ S Single Voltage _____ D Dual Voltage120/240
 _____ T Two Voltage 120/277 _____ Q 120/208/240/277 Quad Voltage

Voltage
 _____ V1/ 120 Volts _____ V8/ 208 Volts _____ V2/ 240Volts
 _____ V7/ 277 Volts _____ V4/ 480 Volts _____ VO/ Unwired

Sockets
 _____ SD- Medium Base _____ SM- Mogul Base

Globes
 _____ PBRO - Polycarbonate Clear Borough Globe
 _____ XXX - Modifier

Reflectors
 _____ HC3- Horizontal Cut off/III _____ HC5- Horizontal Cut off/V
 _____ VC3- Vertical Cut off / III _____ VC5- Vertical Cut off / V
 _____ CMS- Small Chimney _____ CML- Large Chimney

Finials
 _____ FBR- Standard Borough Finial _____ FEG- Eagle Finial
 _____ FSB- Eagle Finial _____ XX- Modifier

Modifications
 _____ BT- Button type photo control

Coatings
 _____ UF Unfinished _____ PO Prime Painted only
 _____ CB Classic Black Finish _____ BG Bottle Green Finish
 _____ DB Dark Bronze Finish _____ G I Grey Iron Finish
 _____ LB Long Beach Blue Finish _____ VG Verde Green Finish
 _____ CU Custom Powder Finish _____ CW Custom Wet Finish

SPRING CITY ELECTRICAL MFG. CO., INC.
 Hall & Main Streets, P. O. Box 19
 Spring City, PA 19475-0019
 Phone: 610-948-4000 Fax: 610-948-5577
 Website: www.springcity.com