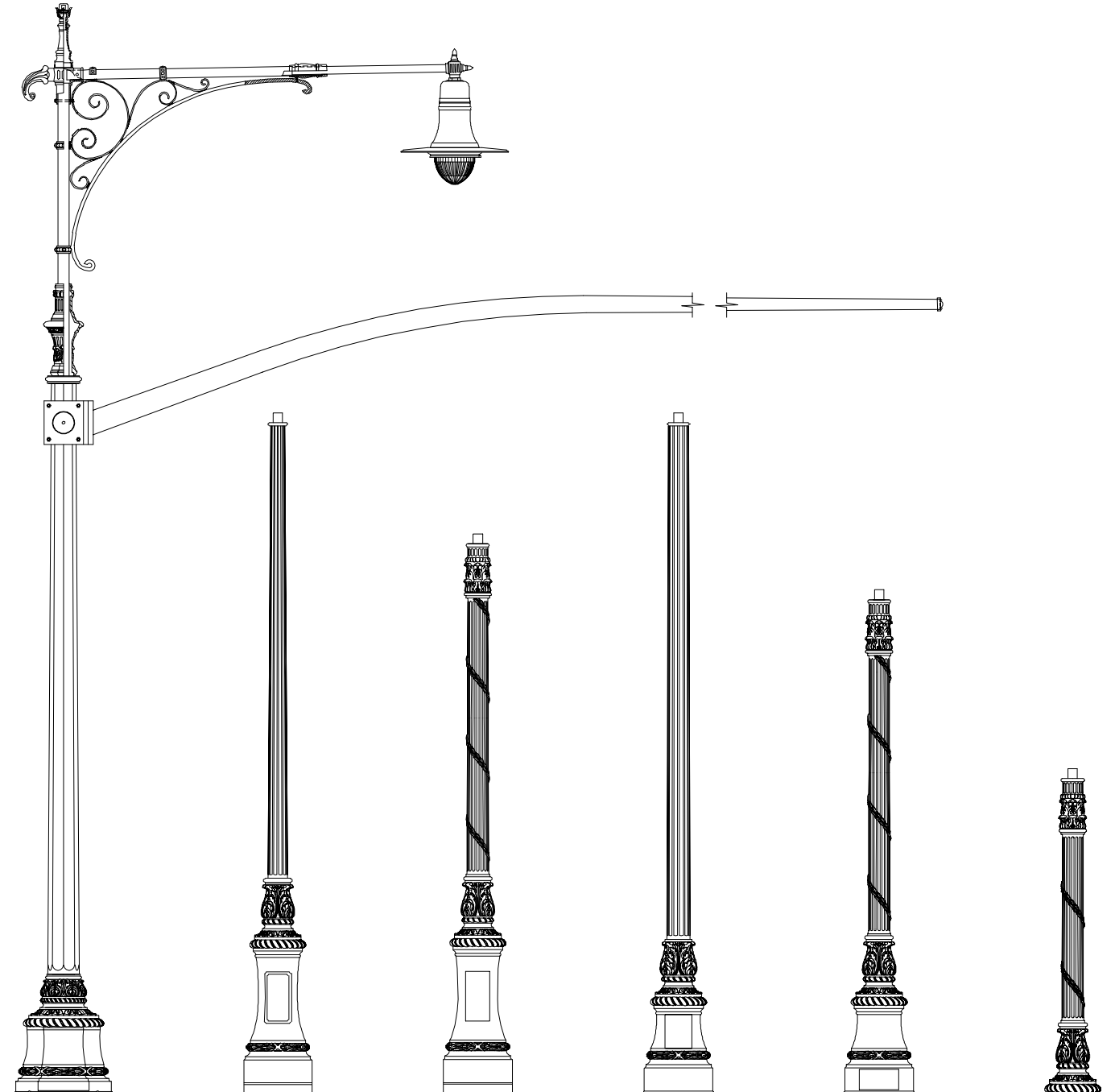


For more detailed information on these units see page number noted under each product



Traffic Post  
Page TP 1

Bi-Metal Post 17'  
Page BP 1

Cast Post 13'-11"  
Page CP 1

Bi-Metal Post 17'  
Page BP 3

Cast Post 12'-6"  
Page CP 5

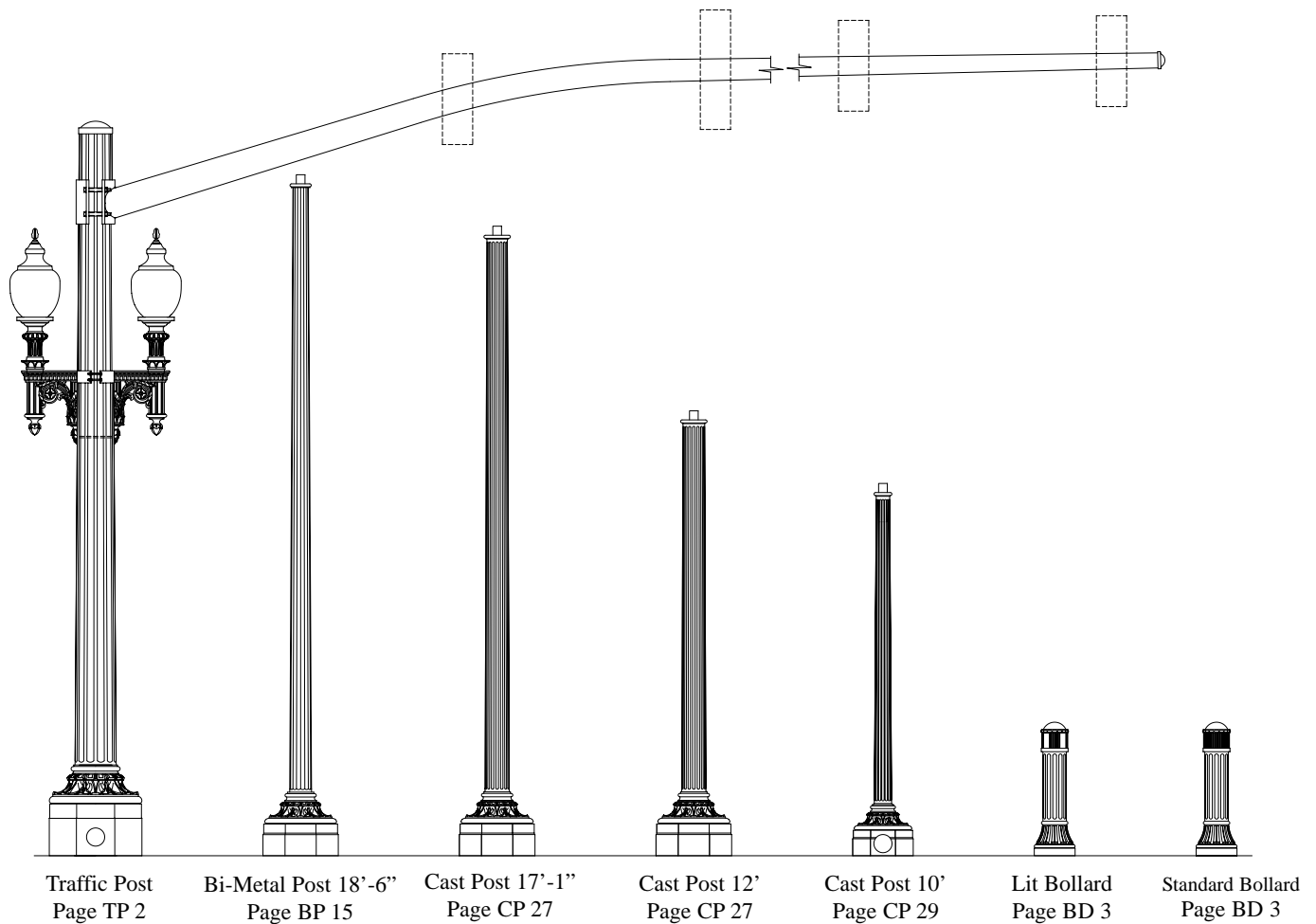
Cast Post 8'  
Page CP 3

The product as shown does not represent all the products that are of similar style that could be used with this family. For more information consult your local sales representative or the factory.



SPRING CITY ELECTRICAL MFG. CO., INC.  
Hall & Main Streets, P. O. Box 19  
Spring City, PA 19475-0019  
Phone: 610-948-4000 Fax: 610-948-5577  
Website: www.springcity.com

For more details on these units see page number noted under each product



The product as shown does not represent all the products that are of similar style that could be used with this family. For more information consult your local sales representative or the factory.



SPRING CITY ELECTRICAL MFG. CO., INC.

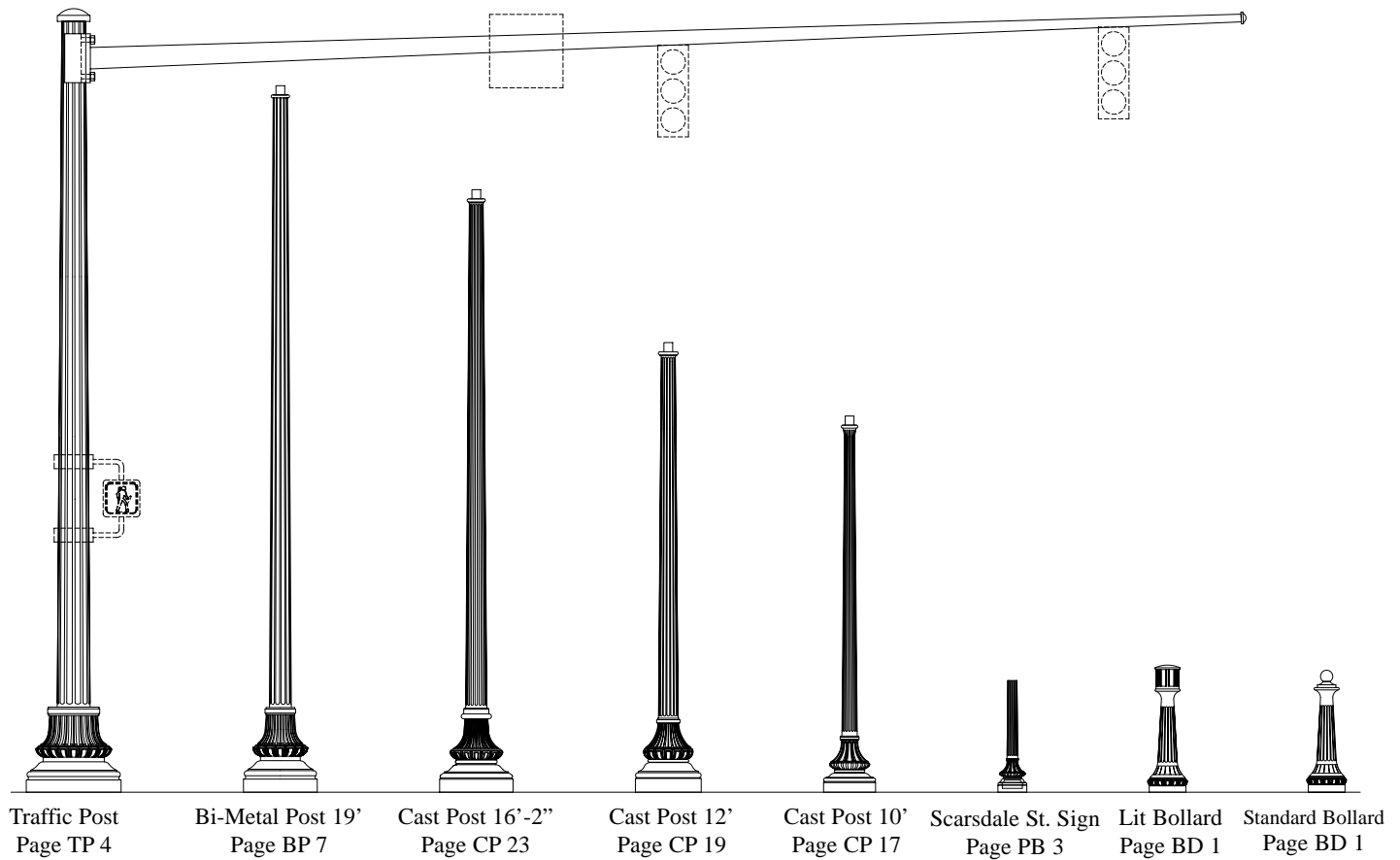
Hall & Main Streets, P. O. Box 19

Spring City, PA 19475-0019

Phone: 610-948-4000 Fax: 610-948-5577

Website: [www.springcity.com](http://www.springcity.com)

For more details on these units see page number noted under each product



Traffic Post  
Page TP 4

Bi-Metal Post 19'  
Page BP 7

Cast Post 16'-2"  
Page CP 23

Cast Post 12'  
Page CP 19

Cast Post 10'  
Page CP 17

Scarsdale St. Sign  
Page PB 3

Lit Bollard  
Page BD 1

Standard Bollard  
Page BD 1

The product as shown does not represent all the products that are of similar style that could be used with this family. For more information consult your local sales representative or the factory.



SPRING CITY ELECTRICAL MFG. CO., INC.

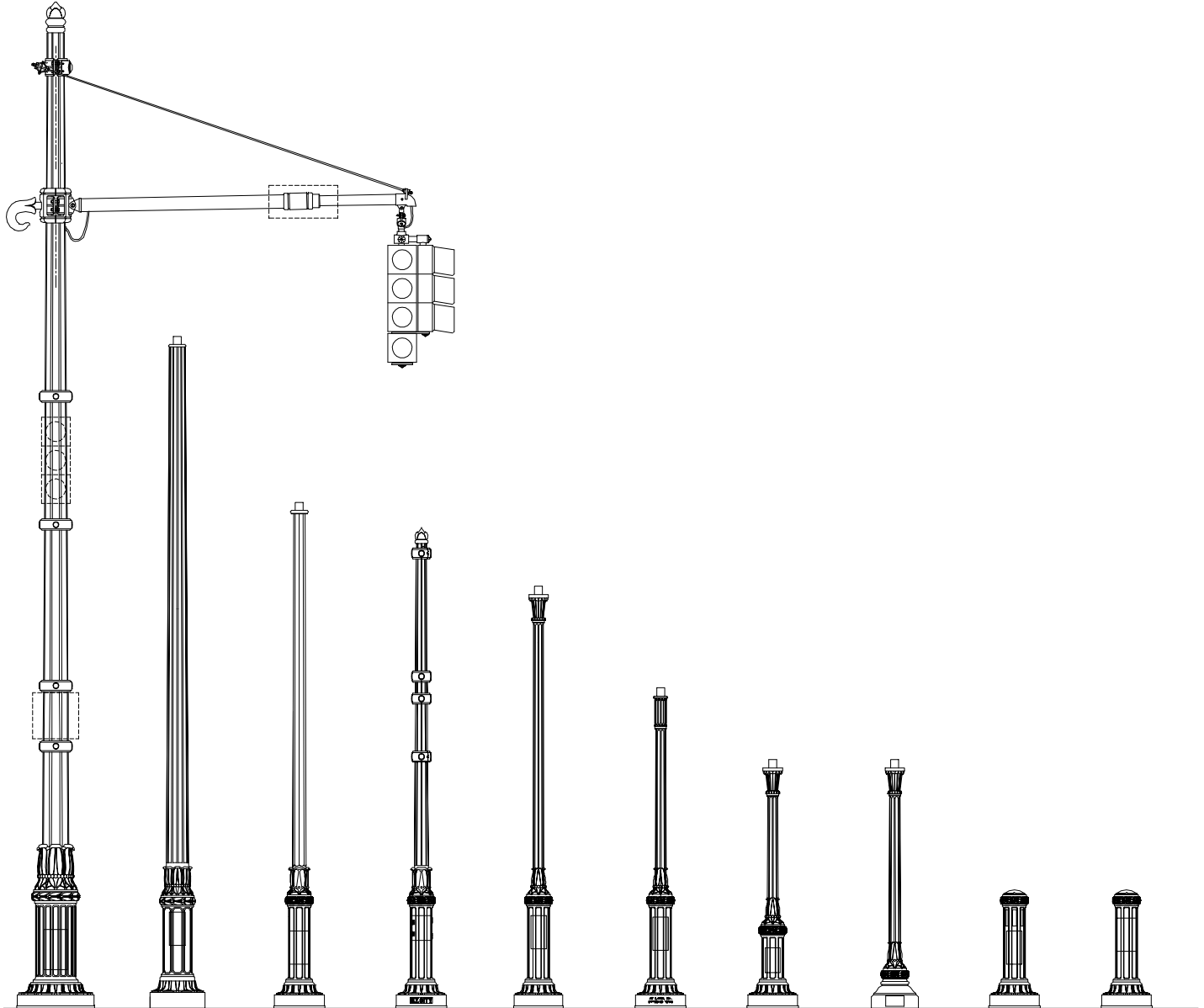
Hall & Main Streets, P. O. Box 19

Spring City, PA 19475-0019

Phone: 610-948-4000 Fax: 610-948-5577

Website: [www.springcity.com](http://www.springcity.com)

For more details on these units see page number noted under each product



Traffic Post Page TP 6	Bi-Metal Post 20' Page BP 33	Bi-Metal Post 15' Page BP 31	Bi-Metal Post 14' Page BP 31	Cast Post 12'-6" Page CP 53	Cast Post 9'-6" Page CP 53	Cast Post 7'-3" Page CP 51	Cast Pedestal Post Page CP 49	Lighted Bollard Page BD 4	Standard Bollard Page BD 4
---------------------------	---------------------------------	---------------------------------	---------------------------------	--------------------------------	-------------------------------	-------------------------------	----------------------------------	------------------------------	-------------------------------

The product as shown does not represent all the products that are of similar style that could be used with this family. For more information consult your local sales representative or the factory.



SPRING CITY ELECTRICAL MFG. CO., INC.

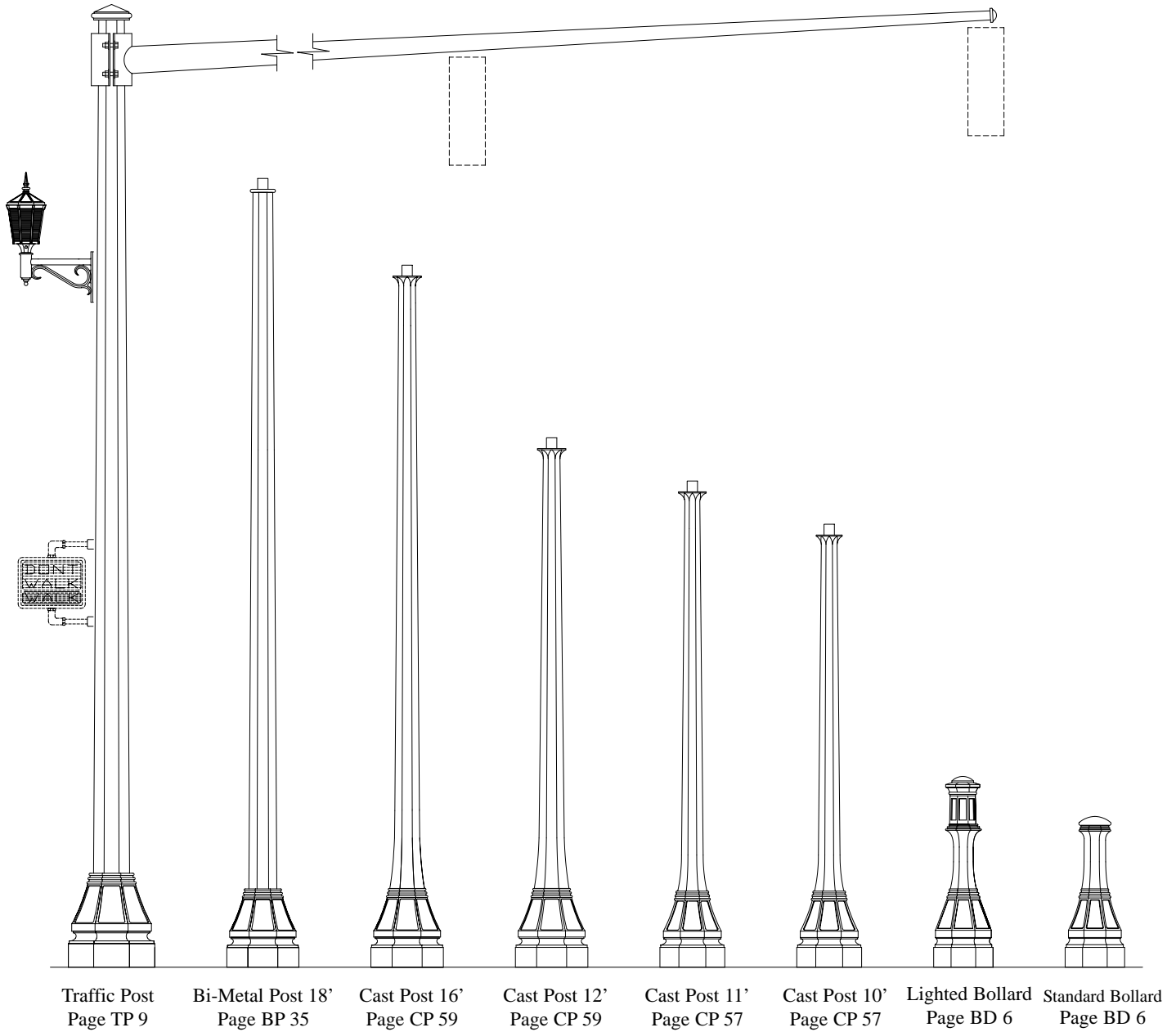
Hall & Main Streets, P. O. Box 19

Spring City, PA 19475-0019

Phone: 610-948-4000 Fax: 610-948-5577

Website: [www.springcity.com](http://www.springcity.com)

For more details on these units see page number noted under each product



Traffic Post  
Page TP 9

Bi-Metal Post 18'  
Page BP 35

Cast Post 16'  
Page CP 59

Cast Post 12'  
Page CP 59

Cast Post 11'  
Page CP 57

Cast Post 10'  
Page CP 57

Lighted Bollard  
Page BD 6

Standard Bollard  
Page BD 6

The product as shown does not represent all the products that are of similar style that could be used with this family. For more information consult your local sales representative or the factory.



SPRING CITY ELECTRICAL MFG. CO., INC.

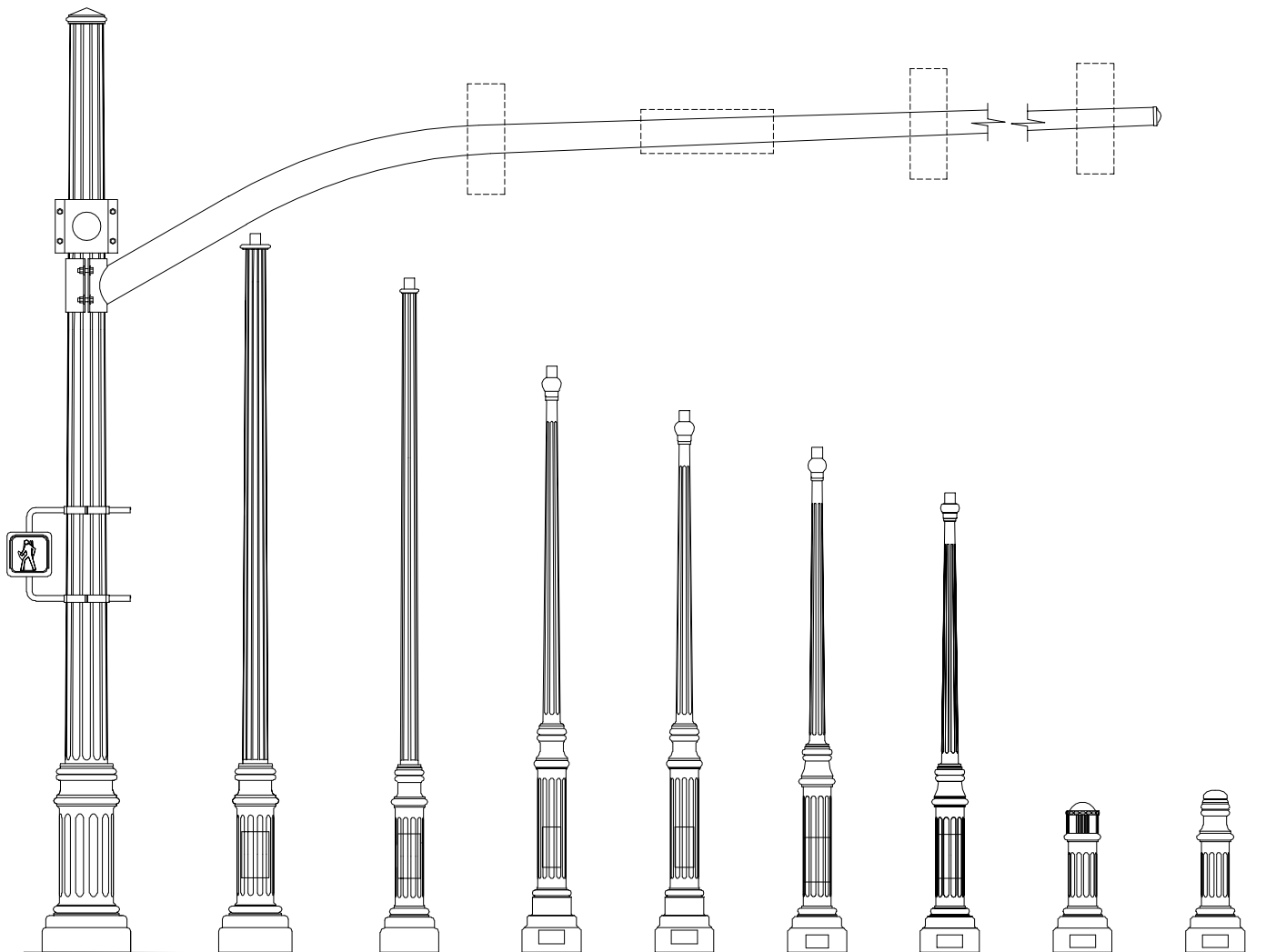
Hall & Main Streets, P. O. Box 19

Spring City, PA 19475-0019

Phone: 610-948-4000 Fax: 610-948-5577

Website: [www.springcity.com](http://www.springcity.com)

For more details on these units see page number noted under each product



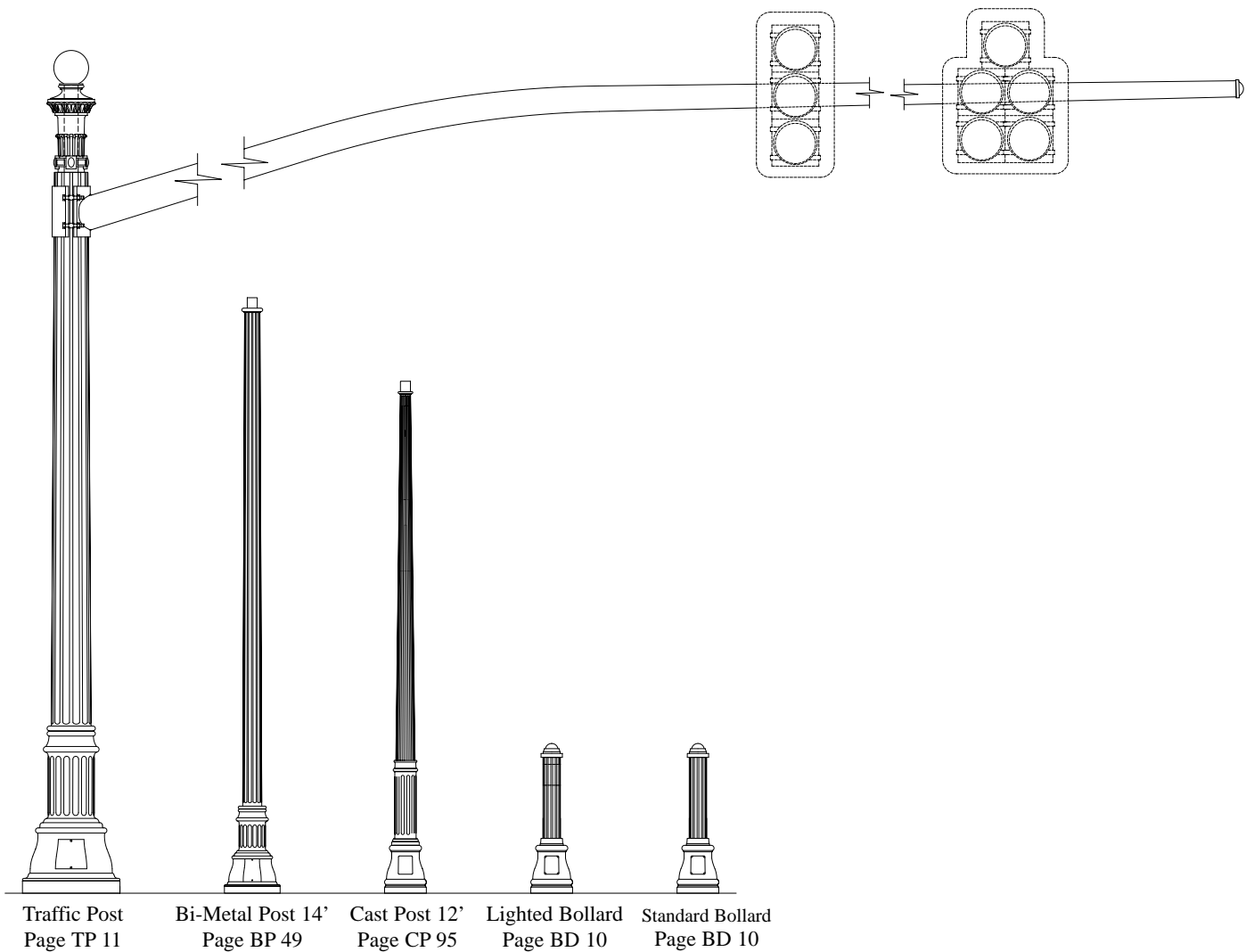
Traffic Post Page TP 10	Bi-Metal Post 18' Page BP 39	Bi-Metal Post 15' Page BP 37	Cast Post 13' Page CP 83	Cast Post 12' Page CP 83	Cast Post 11' Page CP 81	Cast Post 10' Page CP 81	Lighted Bollard Page BD 7	Standard Bollard Page BD 7
----------------------------	---------------------------------	---------------------------------	-----------------------------	-----------------------------	-----------------------------	-----------------------------	------------------------------	-------------------------------

The product as shown does not represent all the products that are of similar style that could be used with this family. For more information consult your local sales representative or the factory.



**SPRING CITY ELECTRICAL MFG. CO., INC.**  
 Hall & Main Streets, P. O. Box 19  
 Spring City, PA 19475-0019  
 Phone: 610-948-4000 Fax: 610-948-5577  
 Website: [www.springcity.com](http://www.springcity.com)

For more details on these units see page number noted under each product



Traffic Post  
Page TP 11

Bi-Metal Post 14'  
Page BP 49

Cast Post 12'  
Page CP 95

Lighted Bollard  
Page BD 10

Standard Bollard  
Page BD 10

The product as shown does not represent all the products that are of similar style that could be used with this family. For more information consult your local sales representative or the factory.



SPRING CITY ELECTRICAL MFG. CO., INC.

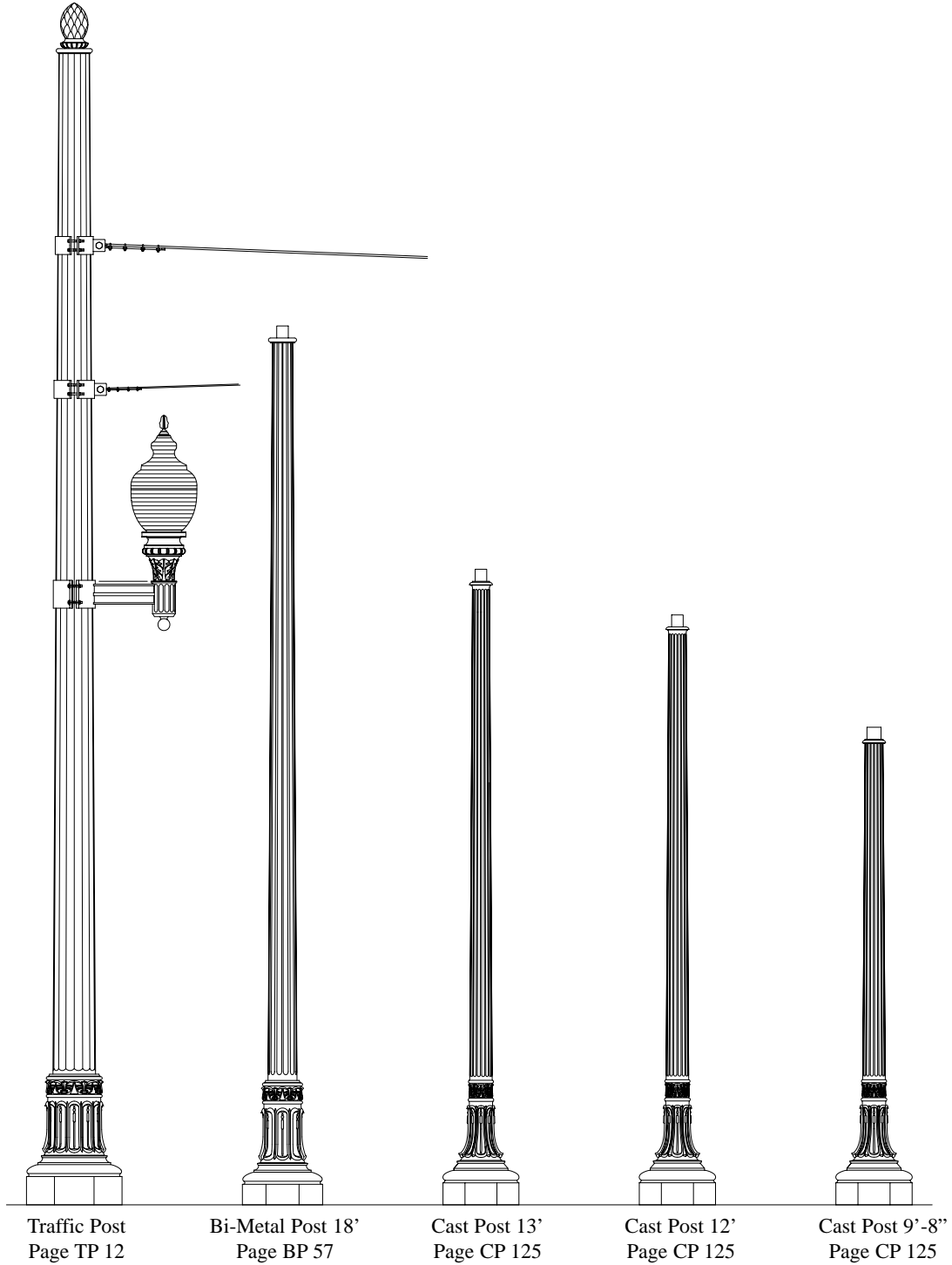
Hall & Main Streets, P. O. Box 19

Spring City, PA 19475-0019

Phone: 610-948-4000 Fax: 610-948-5577

Website: [www.springcity.com](http://www.springcity.com)

For more details on these units see page number noted under each product



The product as shown does not represent all the products that are of similar style that could be used with this family. For more information consult your local sales representative or the factory.



SPRING CITY ELECTRICAL MFG. CO., INC.

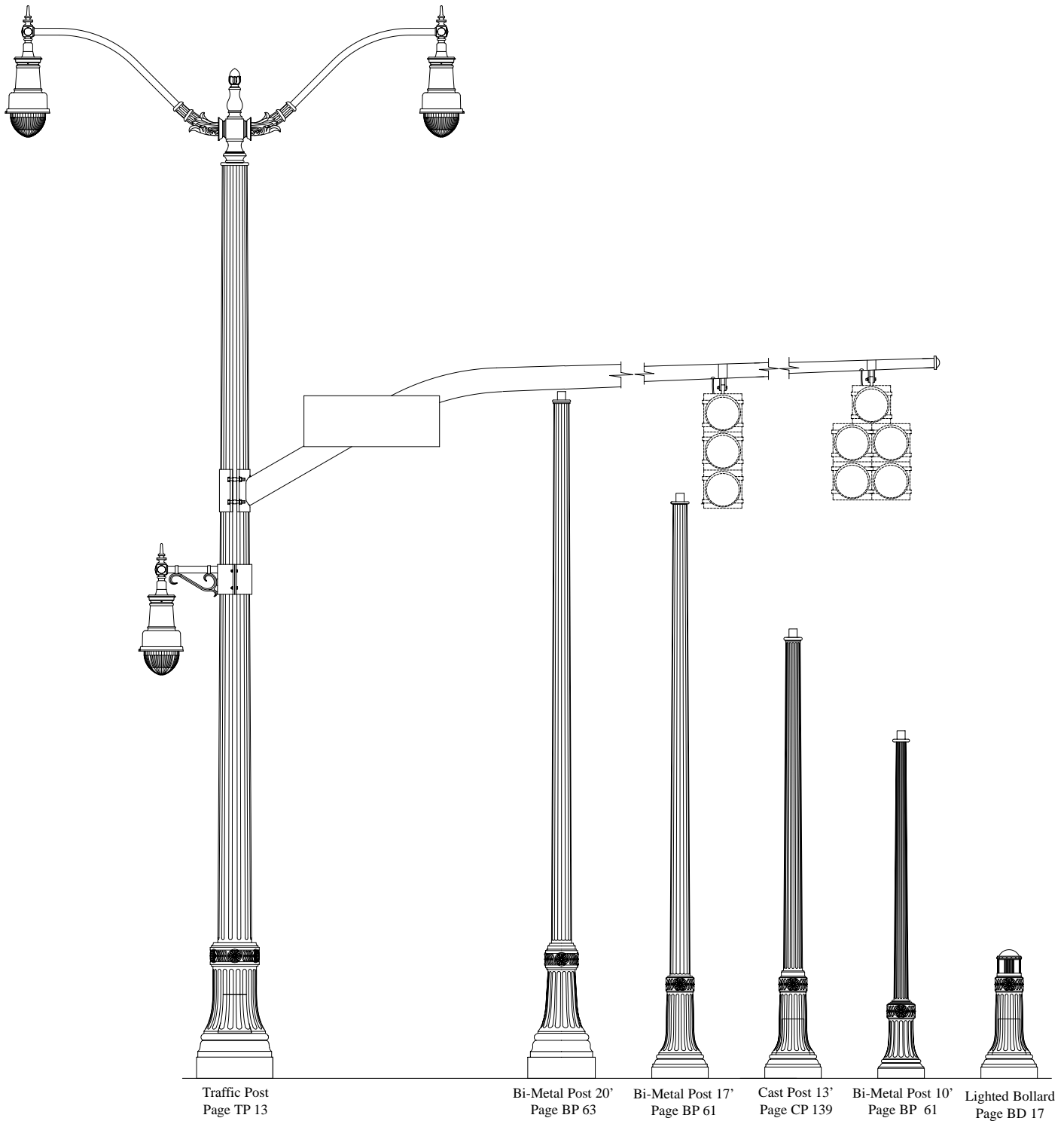
Hall & Main Streets, P. O. Box 19

Spring City, PA 19475-0019

Phone: 610-948-4000 Fax: 610-948-5577

Website: [www.springcity.com](http://www.springcity.com)

For more details on these units see page number noted under each product



The product as shown does not represent all the products that are of similar style that could be used with this family. For more information consult your local sales representative or the factory.



SPRING CITY ELECTRICAL MFG. CO., INC.

Hall & Main Streets, P. O. Box 19

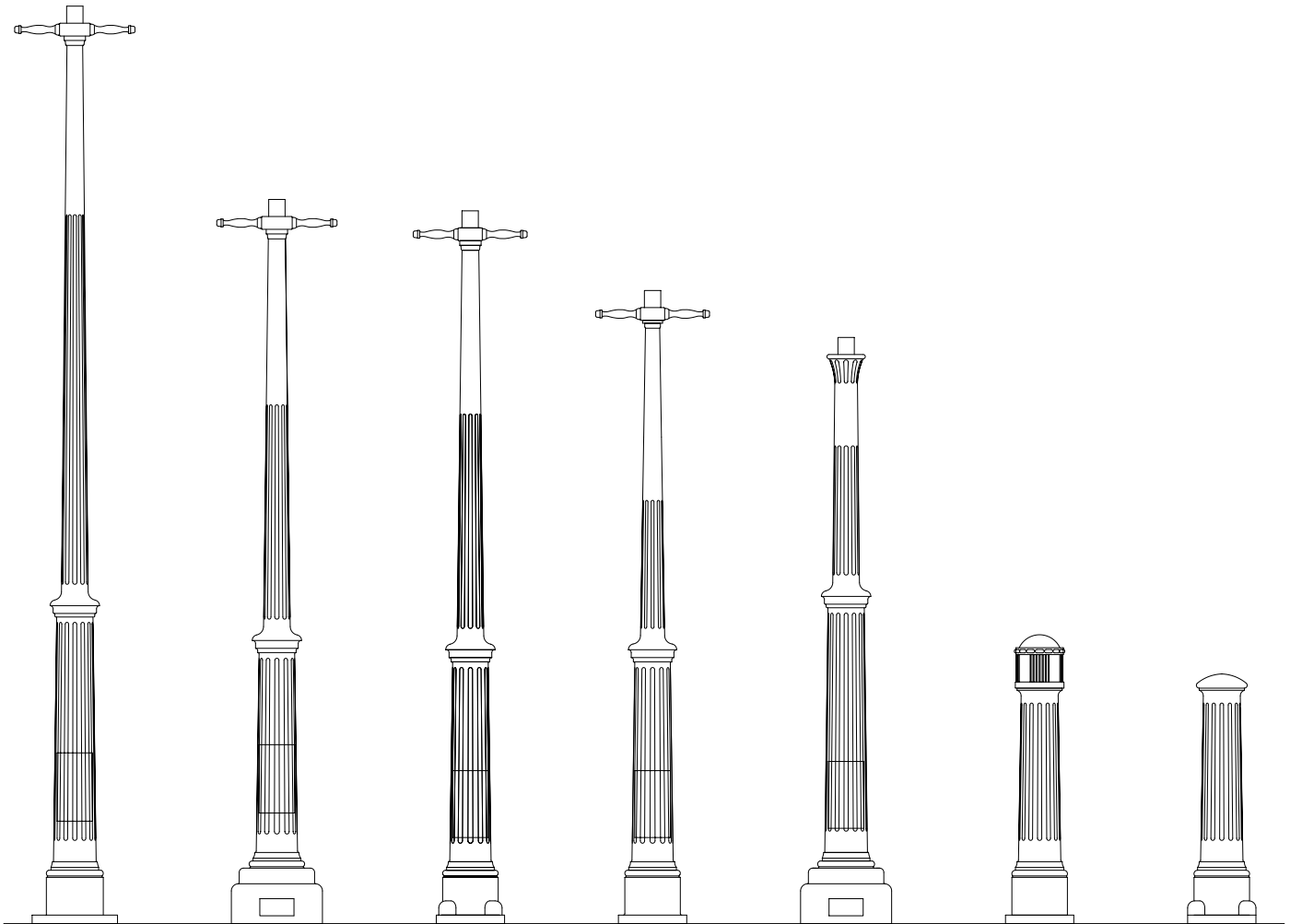
Spring City, PA 19475-0019

Phone: 610-948-4000 Fax: 610-948-5577

Website: [www.springcity.com](http://www.springcity.com)

Page: FM 9

For more details on these units see page number noted under each product



Cast Post 13'  
Page CP 135

Cast Post 10'-2"  
Page CP 133

Cast Post 10'  
Page CP 131

Cast Post 9'  
Page CP 131

Cast Post 8'-4"  
Page CP 129

Lighted Bollard  
Page BD 15

Standard Bollard  
Page BD 17

The product as shown does not represent all the products that are of similar style that could be used with this family. For more information consult your local sales representative or the factory.



SPRING CITY ELECTRICAL MFG. CO., INC.

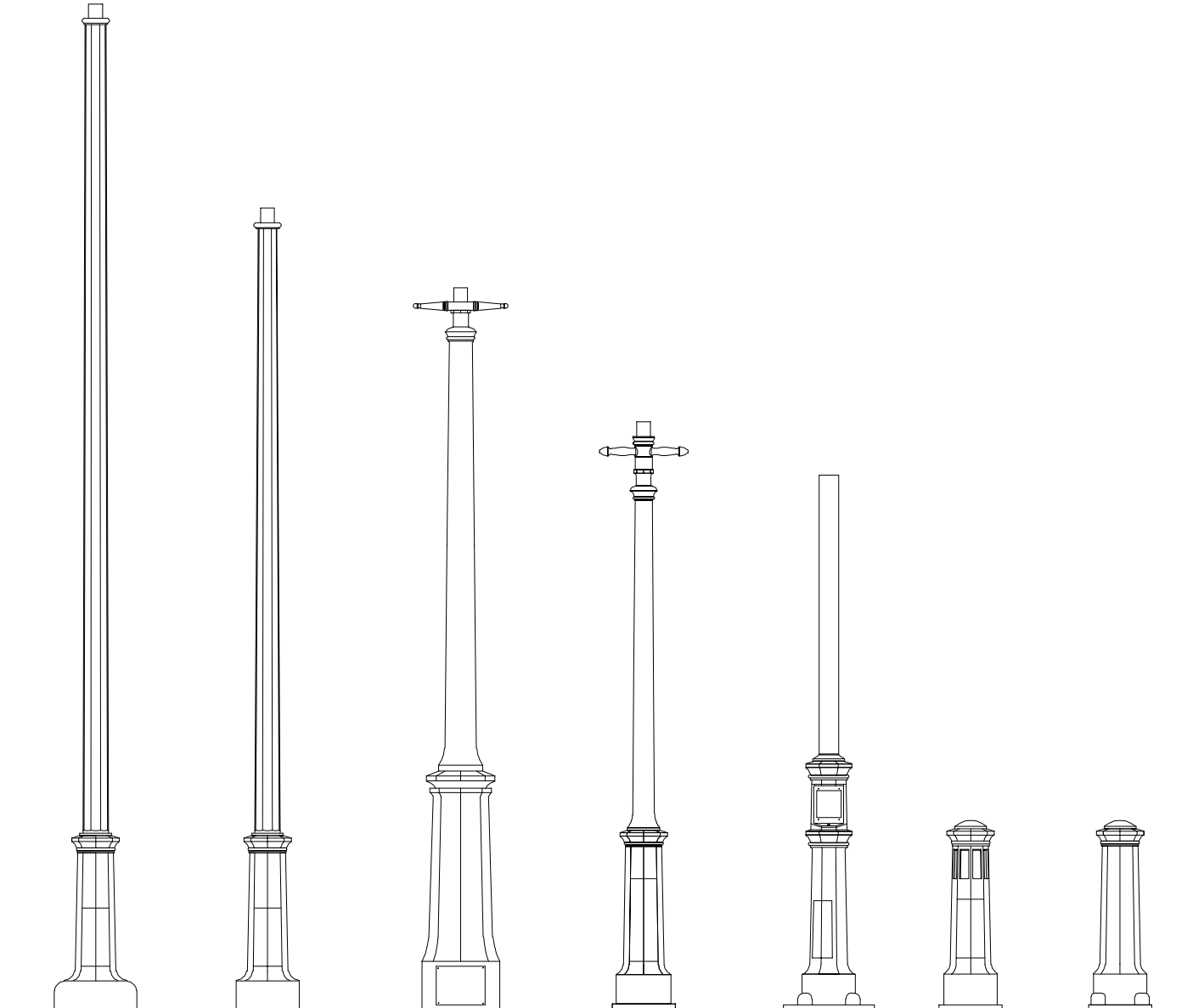
Hall & Main Streets, P. O. Box 19

Spring City, PA 19475-0019

Phone: 610-948-4000 Fax: 610-948-5577

Website: [www.springcity.com](http://www.springcity.com)

For more details on these units see page number noted under each product



Bi-Metal Post 17'  
Page BP 53

Bi-Metal Post 13'-6"  
Page BP 51

Cast Post 12'  
Page CP 117

Cast Post 9'-10"  
Page CP 115

Call Box Post  
Page PB 5

Lighted Bollard  
Page BD 13

Standard Bollard  
Page BD 13

The product as shown does not represent all the products that are of similar style that could be used with this family. For more information consult your local sales representative or the factory.



SPRING CITY ELECTRICAL MFG. CO., INC.

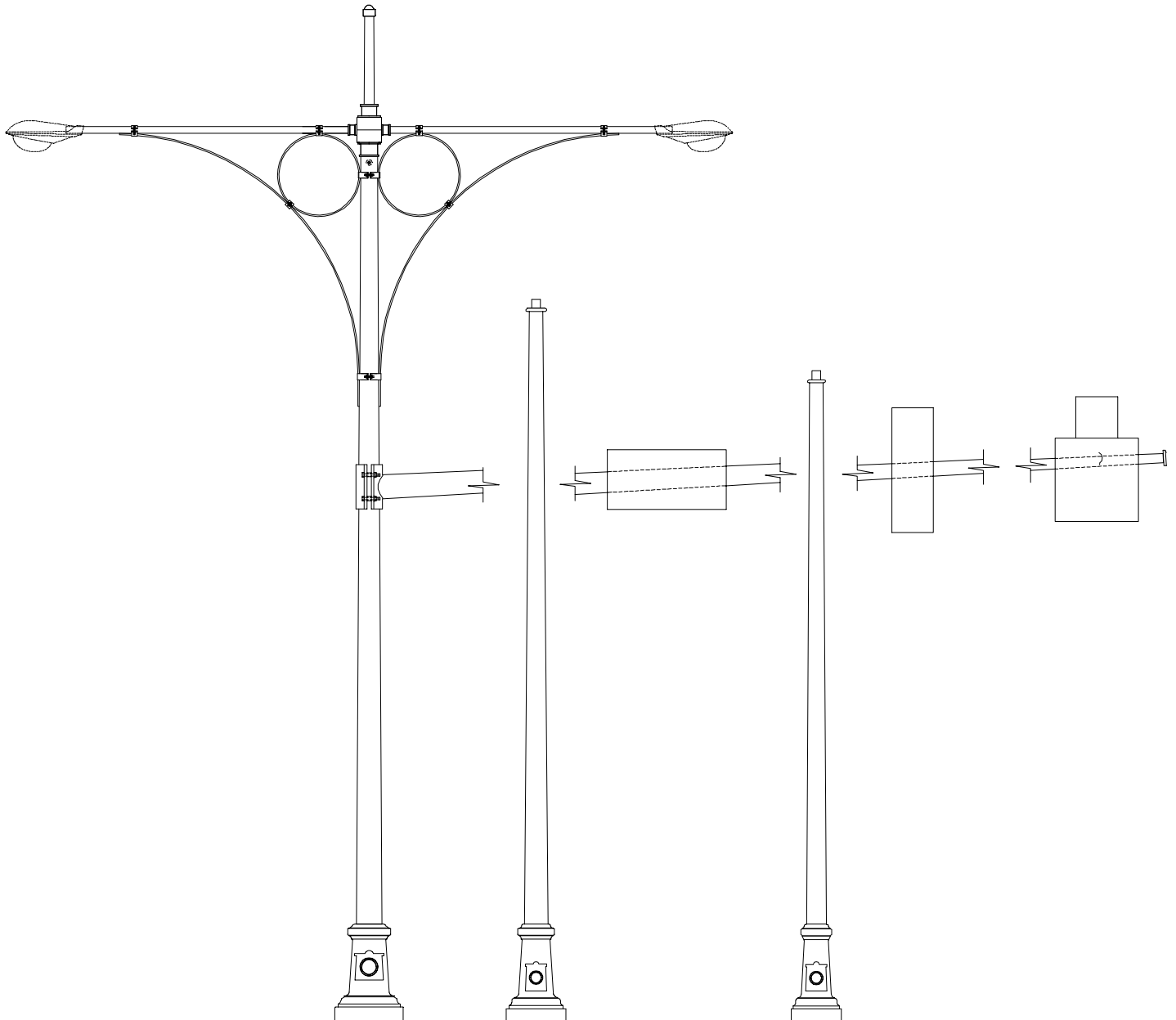
Hall & Main Streets, P. O. Box 19

Spring City, PA 19475-0019

Phone: 610-948-4000 Fax: 610-948-5577

Website: [www.springcity.com](http://www.springcity.com)

For more details on these units see page number noted under each product



Traffic Post  
Page TP 15

Bi-Metal Post 20'  
Page BP 85

Bi-Metal Post 18'  
Page BP 83

The product as shown does not represent all the products that are of similar style that could be used with this family. For more information consult your local sales representative or the factory.



---

SPRING CITY ELECTRICAL MFG. CO., INC.

Hall & Main Streets, P. O. Box 19

Spring City, PA 19475-0019

Phone: 610-948-4000 Fax: 610-948-5577

Website: [www.springcity.com](http://www.springcity.com)